



Countertop Cutout Instructions

Components:
Countertop 1

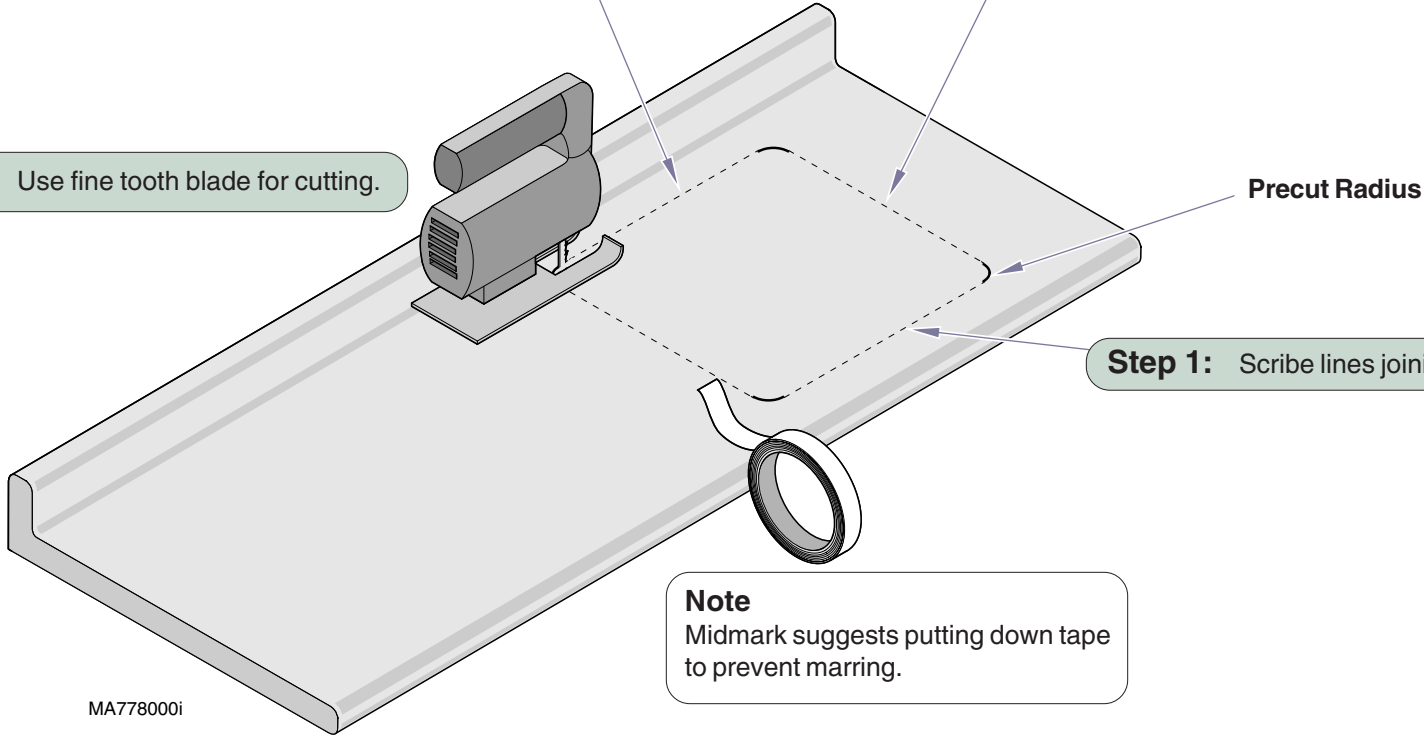
Special Tools:
Jig Saw
(w/ fine tooth blade)
Straight Edge

Step 3: Always cut along back splash first.

Equipment Alert
Support sink cutout before making final cut to avoid splitting or tearing of laminate.

Step 4: Cut remaining sides making sure to support cutout area before final cut.

Step 2: Use fine tooth blade for cutting.



Step 1: Scribe lines joining precut radii.

Note
Midmark suggests putting down tape to prevent marring.

MA778000i