



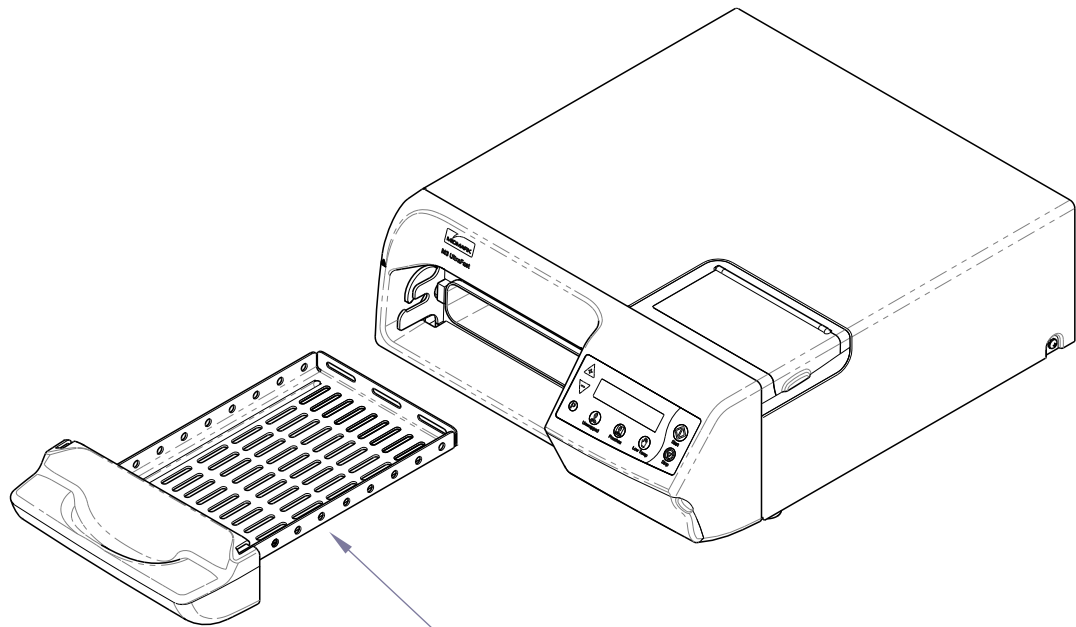
Door Tray Complete [9A40200x]

Components:
Door / Tray..... 1

Special Tools:
none

Intended Use:
Additional Door Tray Used to Stage Cycles

Requirements / Restrictions:
Check door gasket to be clean and free of foreign matter.



Step 1: Place tray into M3 chamber.