


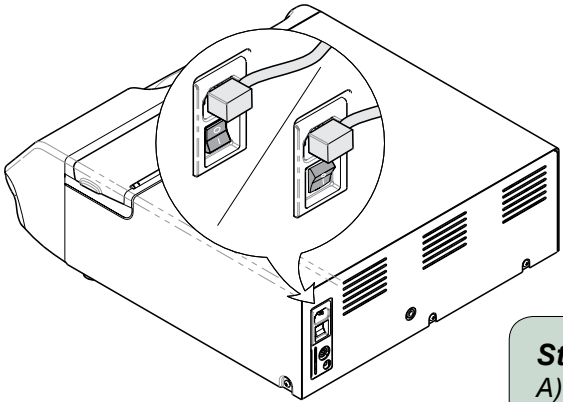


PCB Installation [002-1753-00 (115V) & 002-1753-01 (230V)]

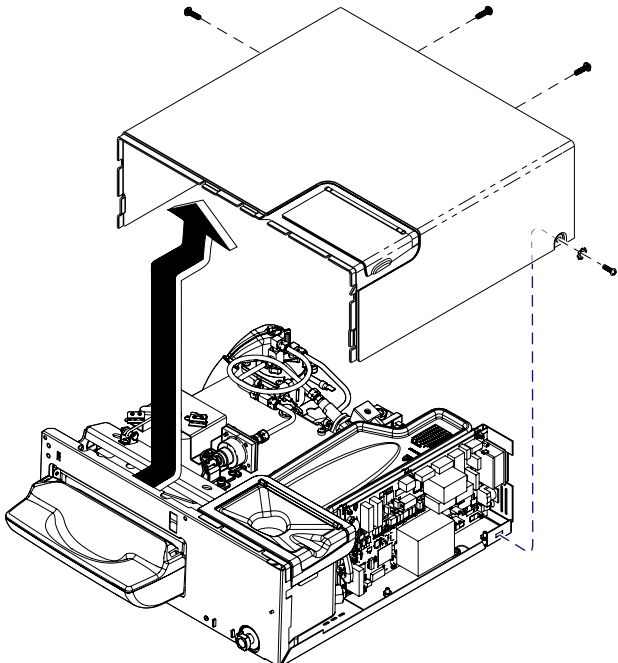
Components:
PC Board..... 1

Special Tools:
none

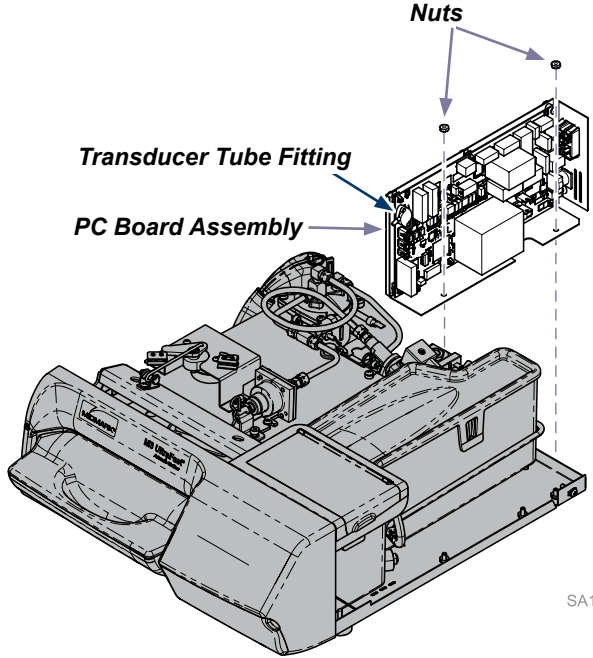
 **Caution**
Always disconnect power and allow sterilizer to cool before removing cover.



Step 1: Remove Cover.
A) Disconnect power to the sterilizer.
B) Remove screws.
C) Slide cover back and up to remove.



Step 2: Remove PC Board assembly.
A) Disconnect all wire connections from PC Board.
B) Disconnect transducer tube.
C) Remove two nuts.
D) Lift PCB assembly straight up to remove.
E) Repeat this step in reverse to install the new PC Board Assembly.



SA1785i

TP200 Rev. A