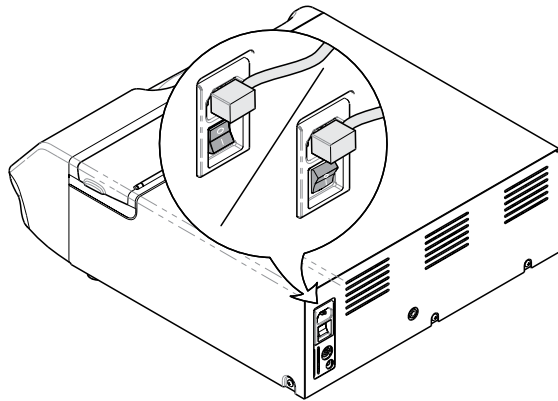




WARNING

Power unit off and unplug from outlet to prevent electrical shock.

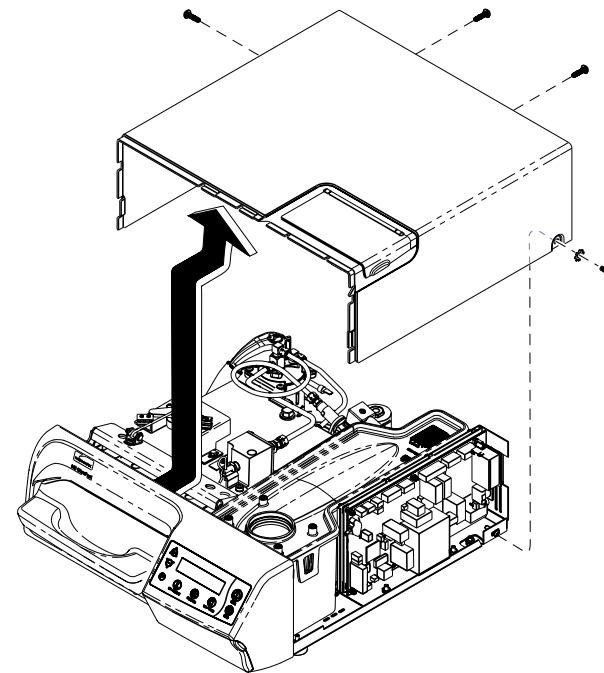


Step 1:

- A) Power unit off by using switch.
- B) Unplug unit from wall outlet.

Step 2:

Remove four screws (two from back and one from each side) and slide cover back and up.



SA1766i

Step 8:
Remove display panel membrane
and clean surface.

Step 9:
Remove adhesive backing
and place membrane to
front cover. Follow steps 7
thru 1 in reverse order.



Equipment Alert
Be careful not to loosen or tighten
Limit Switch adjustment screw.

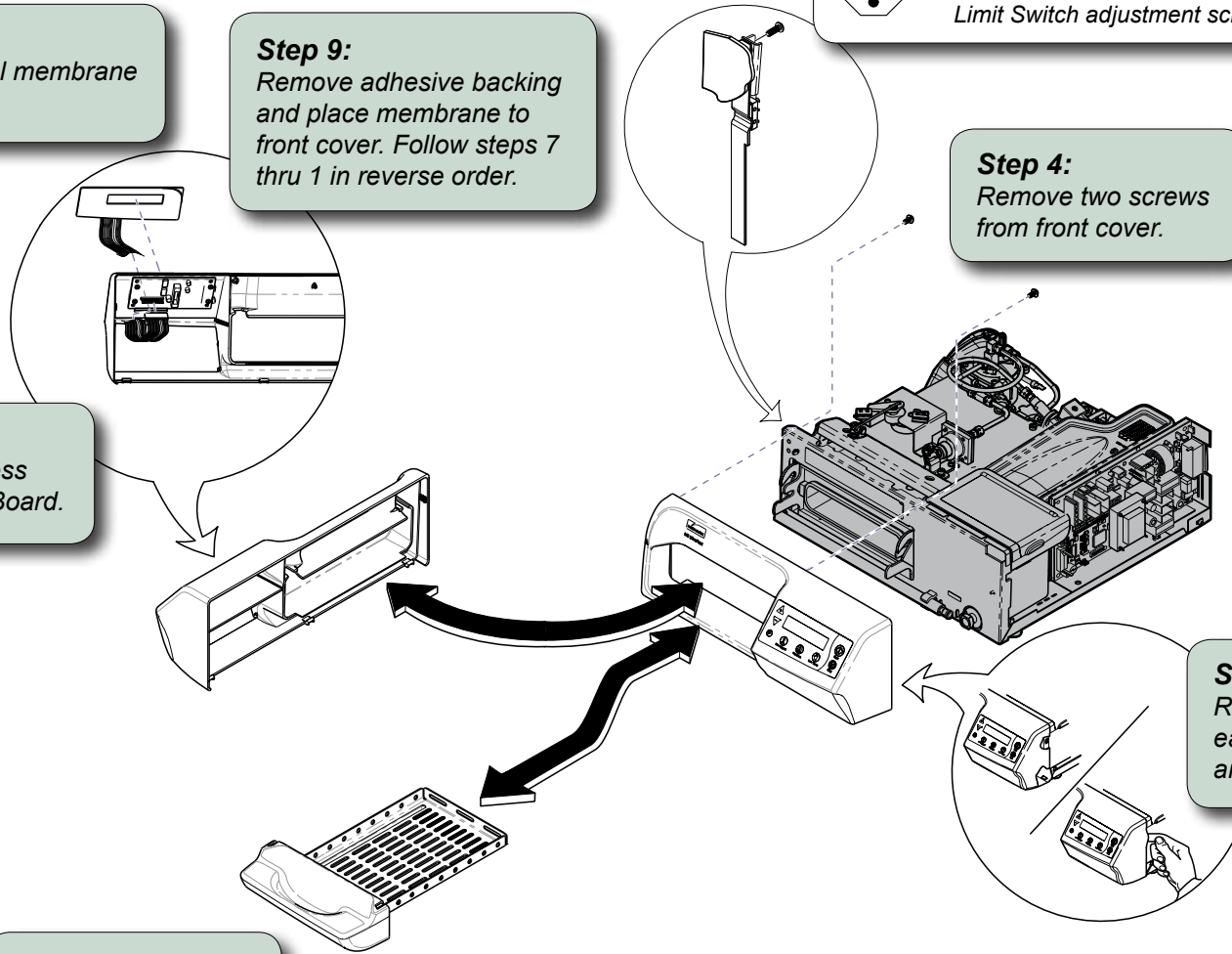
Step 4:
Remove two screws
from front cover.

Step 7:
Disconnect harness
from display PB Board.

Step 5:
Disconnect display harness
from J15 on main PC Board.

Step 6:
Remove front panel, pry outward
on each side to release snap fittings
and tilt forward.

Step 3:
Remove door / tray
from unit.



SA100901i



Because we care.