

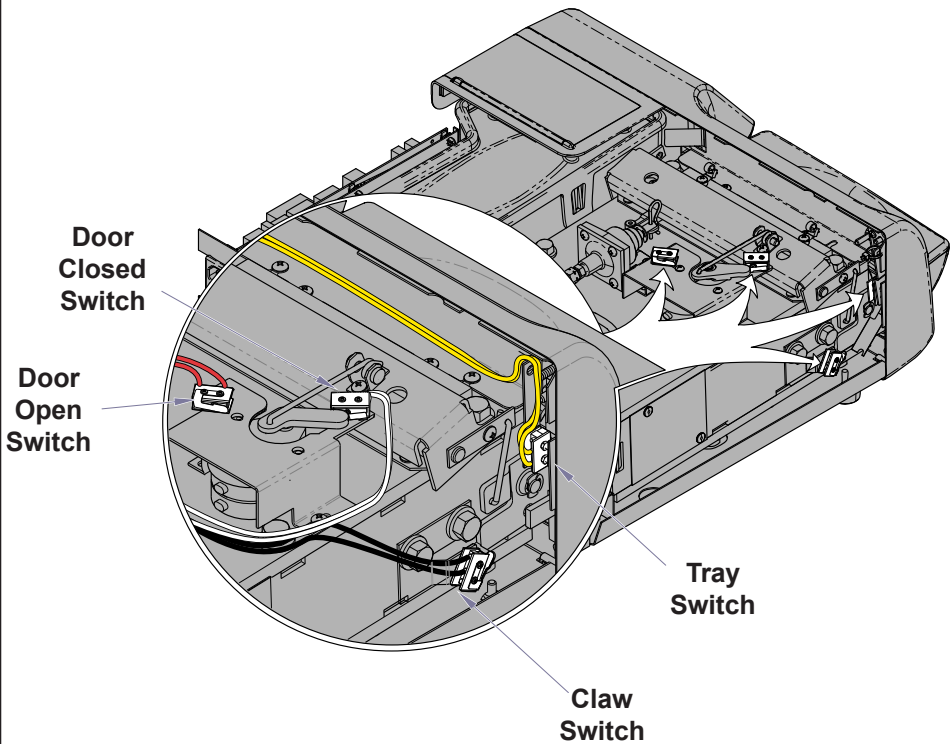
Switch Harness Installation Sheet [002-1088-00]

Components:
Harness

Special Tools:
none

Caution:
Always disconnect power to sterilizer before removing cover. Allow sterilizer to cool.

Step 1: Remove wire ties and switches.



Installation: Reverse steps for installation.

