

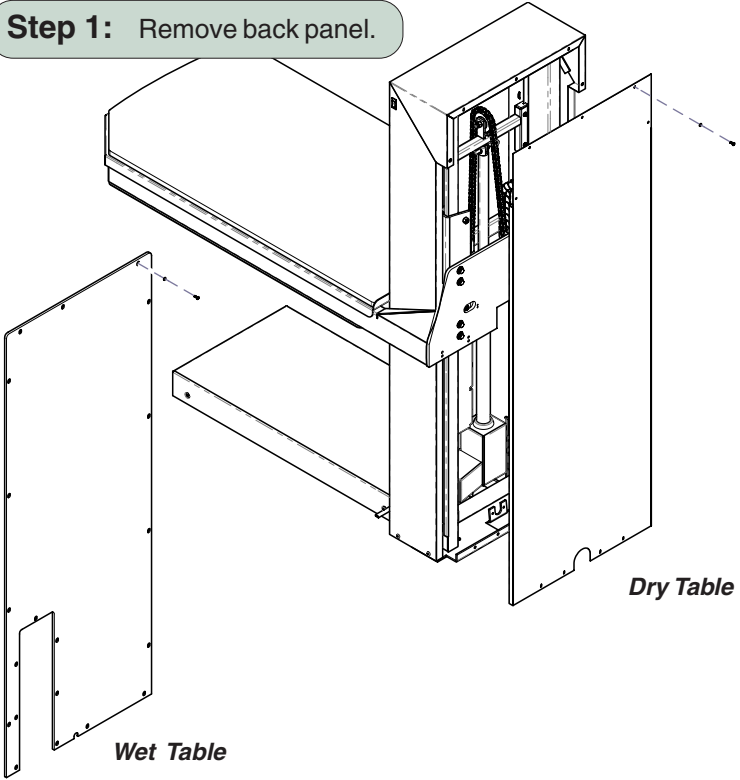


Actuator Replacement Instructions [002-1102-00]

Applies to Models:
CMWO & CMWS (all)

Special Tools:
Qty 2 - 2x4 piece of wood
(to block table)

Step 1: Remove back panel.



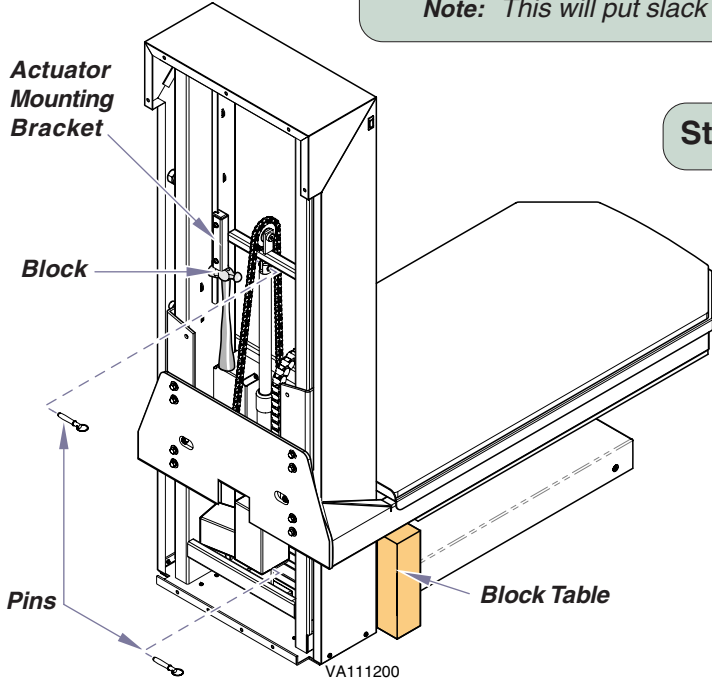
Step 2: Place a 2x4 piece of wood under table. Lower table until it rests on wood.

Note: Dry Tables - Block table close enough to column to avoid safety switch activation.

Note
If the table will not lower, remove front panel for more access. Jack or manually lift table up to wedge wood under it.

Step 3: Wedge hammer or block of wood between the actuator mounting bracket and the control box.

Note: This will put slack into the chain for pin removal.



Step 4: Unplug power cord.

Step 5: Remove top and bottom pins.

Step 6: Remove actuator.

Note: Pull up and out around weldments.

To complete installation..
A. Install new actuator and pins.
B. Plug table in, move table up and remove wedged wood/hammer.
C. Install back and or front panel.