

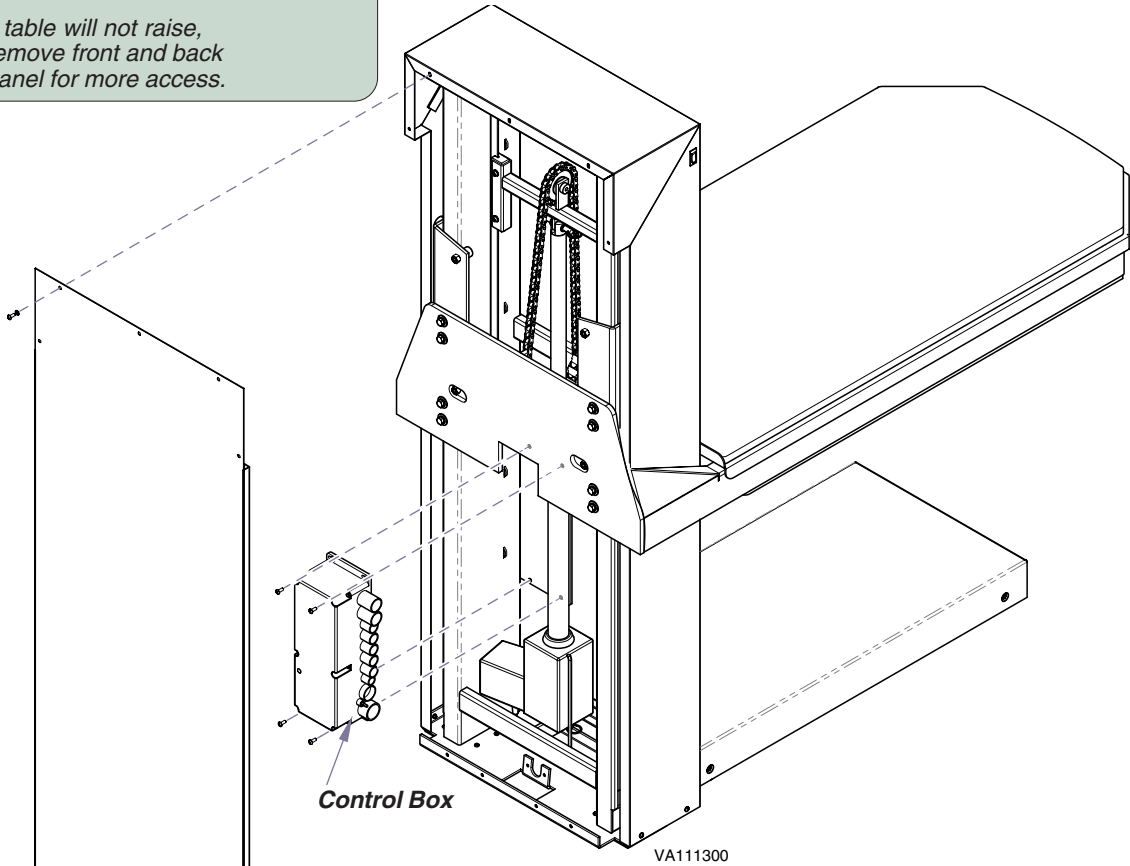


# Control Box (Actuator Controller) Replacement Instructions [002-1103-00]

**Applies to Models:**  
CMWO & CMWS (all)

**Step 1:** Raise and unplug power cord.  
Remove back panel.

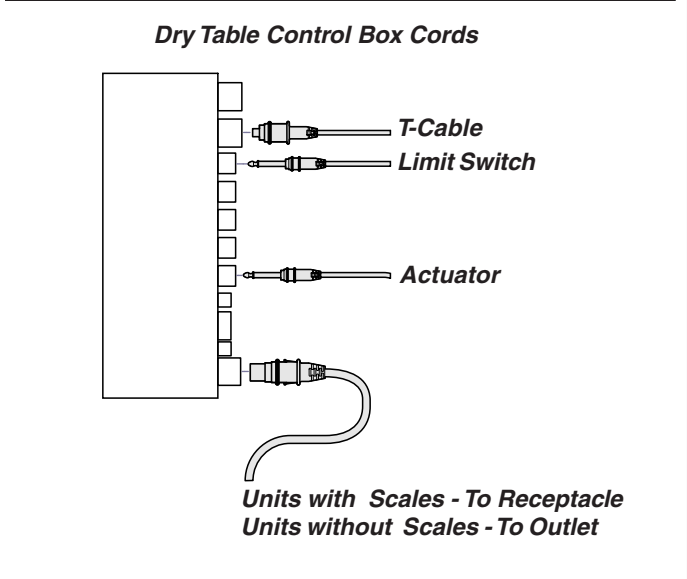
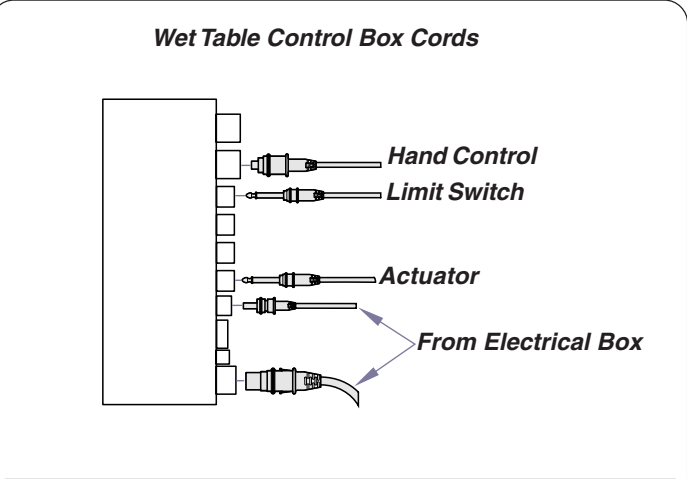
*Note:* If table will not raise,  
remove front and back  
panel for more access.



**Step 2:** Unplug all cords from control box.

**Step 3:** Remove control box mounting screws.

*Note:* Support control box while removing screws.  
Maneuver control box around weldments to remove from column.



**To complete installation..**  
A. Install new control box.  
B. Plug all cords into control box.  
C. Install back and or front panel.  
D. Connect power cord.