



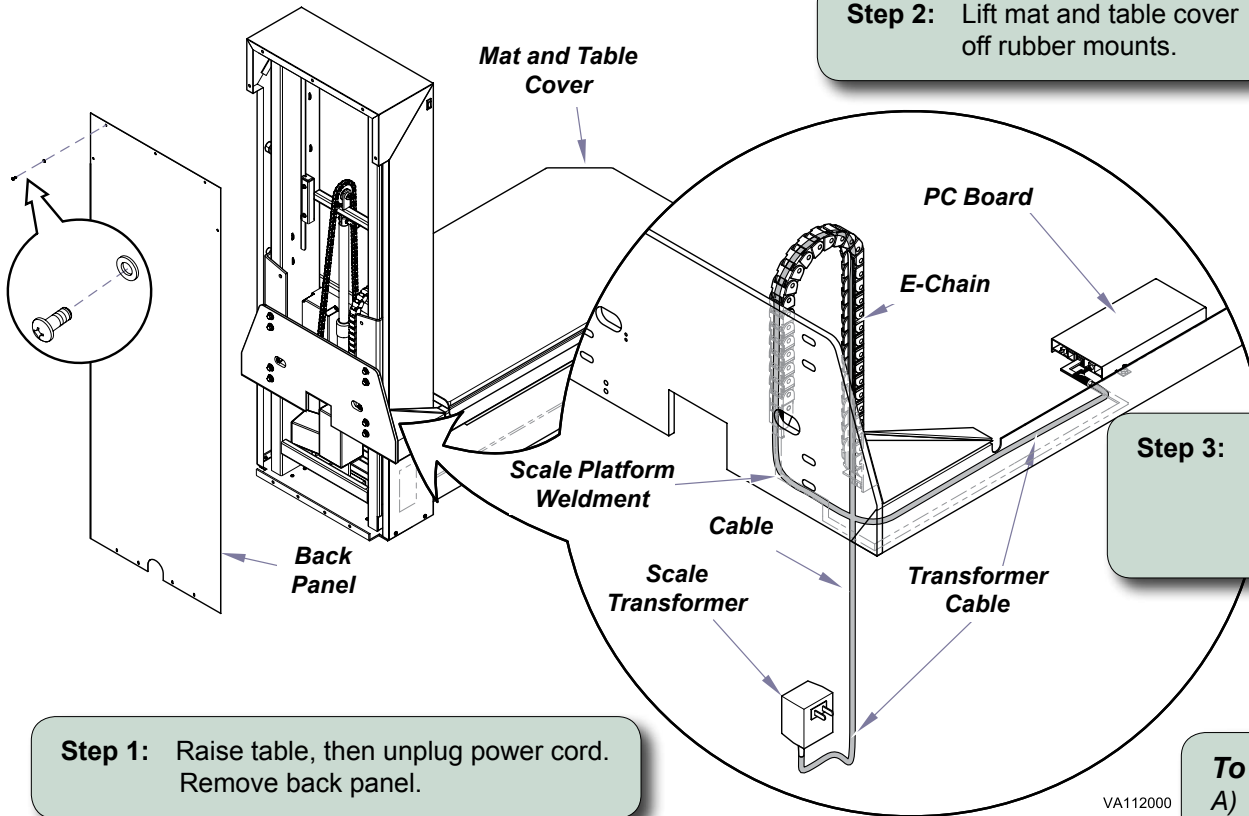
Scale Transformer Replacement - Dry Models [002-1105-00]

Components:
Scale Transformer.. 1
Terminal Ends
(not used w/Dry models).. 2

Special Tools:
none

Attention:
Refer to opposite side for Wet models.

Step 2: Lift mat and table cover off rubber mounts.



Step 3: Cut cable ties holding scale transformer in the outlet. Unplug transformer at outlet and PC board, then remove cable from cord bundle and E-chain.

To complete installation..
A) Plug scale transformer into outlet.
B) Route cable through E-chain and table top platform weldment on to PC board and secure with cable ties.
C) Plug power cord in and verify scale operation through the entire travel of table.
D) Install mat, table cover and back panel.

VA112000

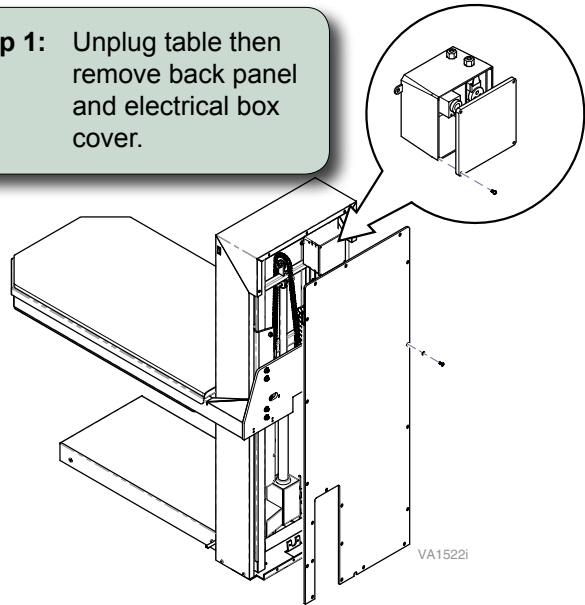


Scale Transformer Replacement - Wet Models [002-1105-00]

- Components:**
 Scale Transformer... 1
 Terminal Ends..... 2
 Closed End
 Connectors 2
- Special Tools:**
 none

Attention:
Refer to opposite side for Dry models.

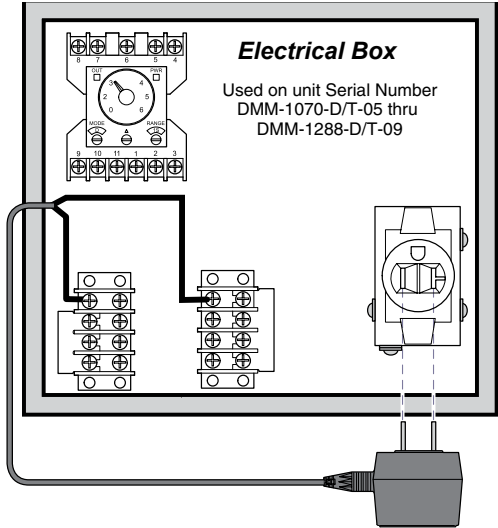
Step 1: Unplug table then remove back panel and electrical box cover.



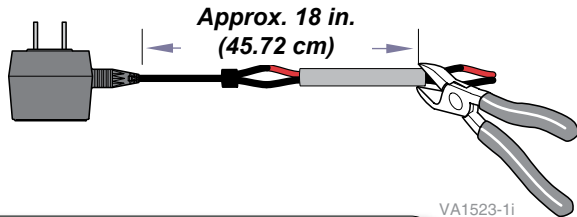
Step 3a: (Units with a "DMM" serial number prefix)
Connect scale transformer wires to terminal blocks as shown.

Step 3b: (Units with a "V" serial number prefix)
Connect scale transformer wires to cable wires with wire nuts:

- Black wire to black wire
- Red wire to red wire



Step 4: Plug scale transformer into receptacle.



Step 2: Cut scale transformer wire to length. On older models (units with "DMM" serial number prefix) terminal ends will need to be installed.

To complete installation.

- Install electrical box cover.
- Install back panel.
- Plug table to power source

