



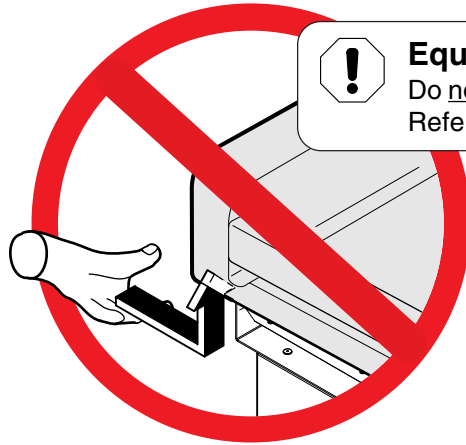
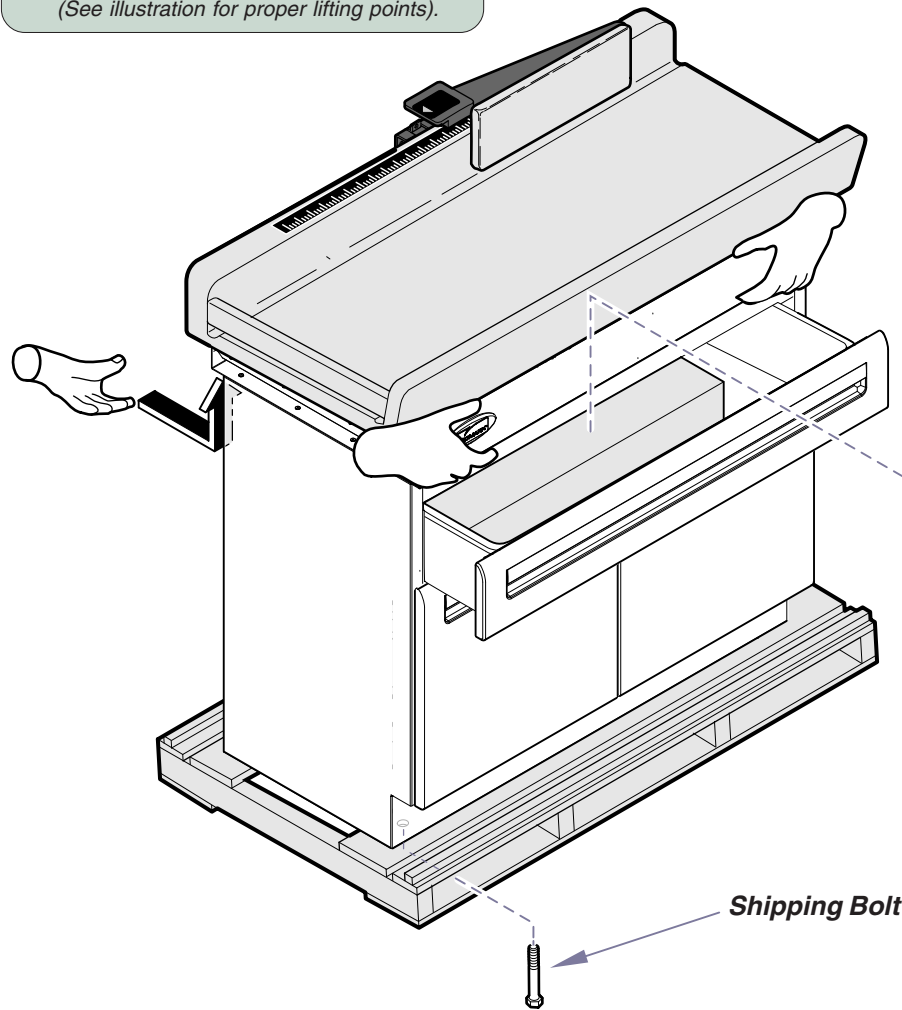
Pediatric Exam Table Installation

Applies to Models:
640 (all)

Special Tools:
level

Language of origin: English

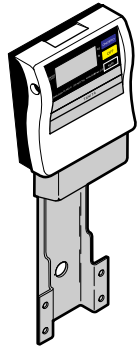
Step 1: Remove table from skid.
A. Remove three shipping bolts.
B. Carefully lift table off of skid.
(See illustration for proper lifting points).



Equipment Alert
Do not lift the table by grasping the upholstered top. Refer to illustration for proper lifting points.

- Leveling Feet (qty: 4)**
- Shelf Clips (qty: 4)**

Digital Scale (qty: 1)

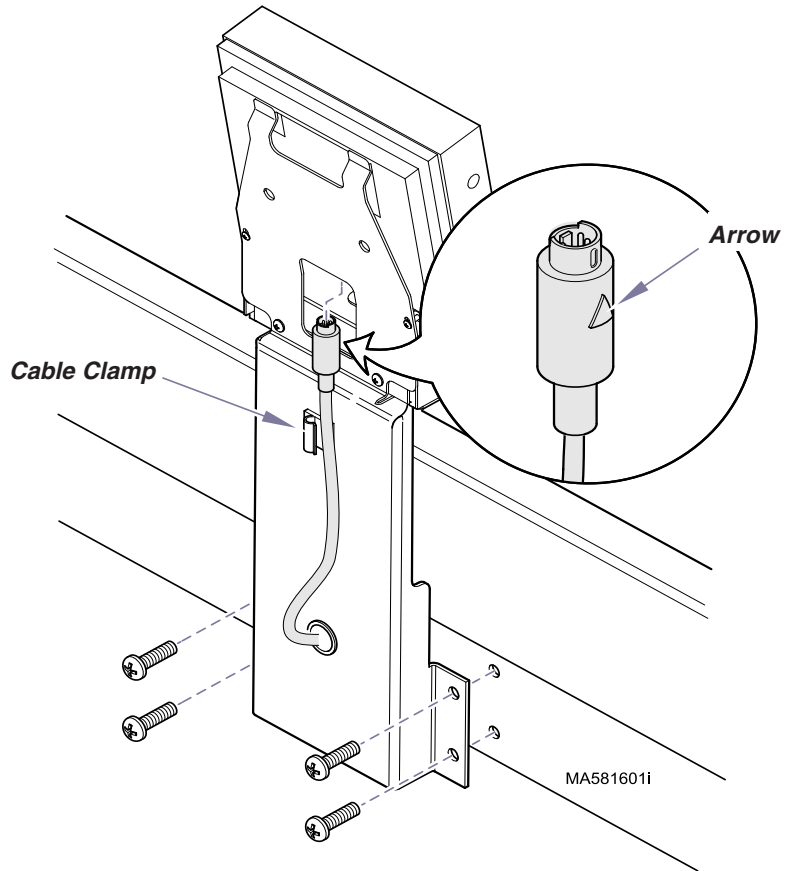


MA777900i

- Screws (qty: 4)**
- Cable Clamps (qty: 2)**
- AC Adapter (qty: 1)**

Step 2: Install digital scale.

- A. Secure scale bracket to back of table with four screws.
- B. Connect cable to digital display.
(Arrow must be facing the front of digital display to connect).
- C. Snap cable into cable clamp.

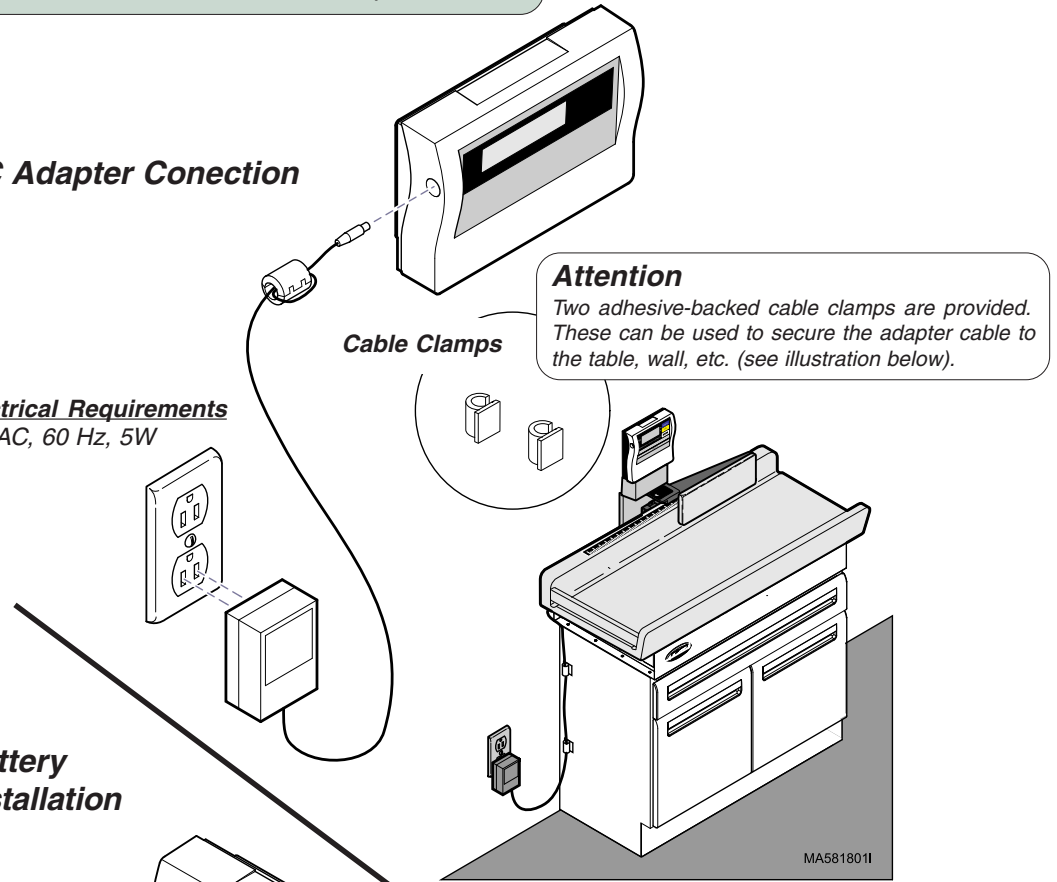


Step 3: Provide power to digital scale.

Install batteries or connect AC adapter to scale.

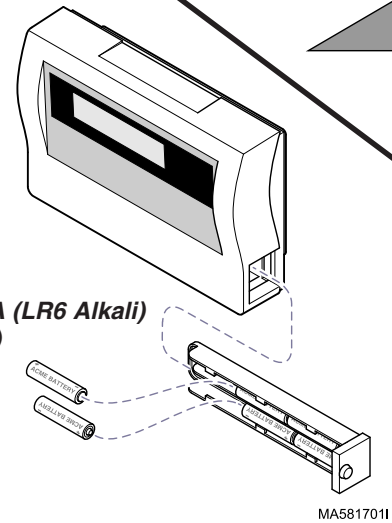
AC Adapter Connection

***Electrical Requirements**
120VAC, 60 Hz, 5W



Battery Installation

Battery Size: AA (LR6 Alkali)
Quantity: six (6)



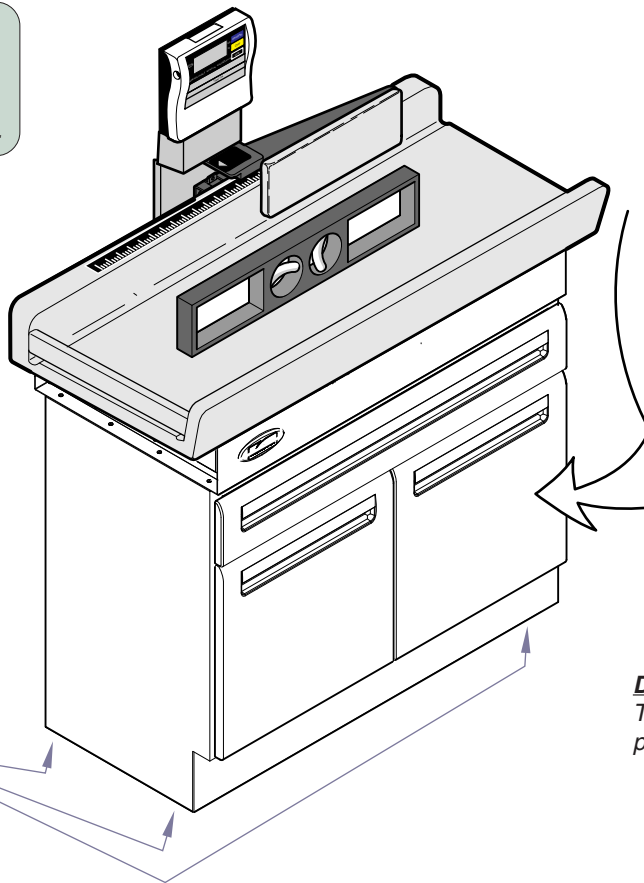


Equipment Alert

To ensure proper operation, the table must be level.

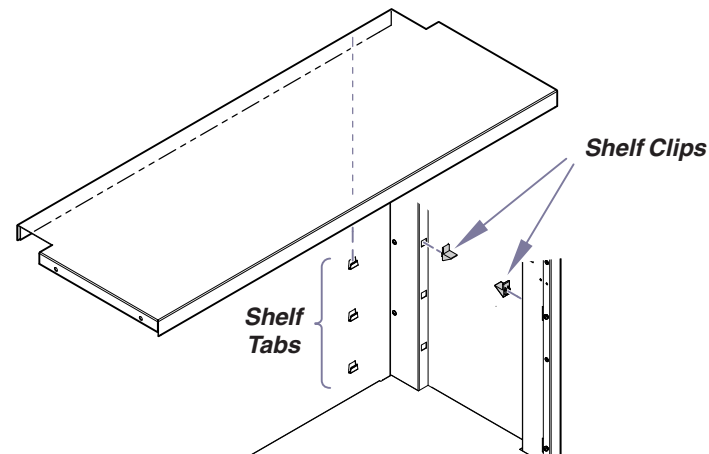
Step 4: Level the table...

- A. Install four leveling feet.
- B. Place a level on table top.
- C. Adjust leveling feet until table is level.



Leveling Feet

Qty: 4 (located at each corner)



Step 5: Install storage shelf.

- A. Install four shelf clips at desired height.
- B. Latch rear lip of shelf into shelf tabs.
- C. Lower shelf onto shelf clips.

Vertical Adjustment

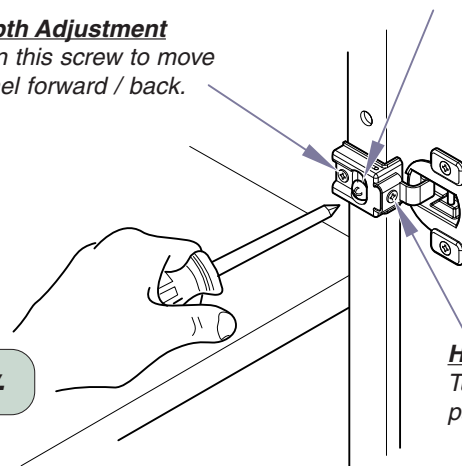
Loosen this screw on both hinges. Move door up / down, then tighten screws.

Depth Adjustment

Turn this screw to move panel forward / back.

Horizontal Adjustment

Turn this screw to move panel side to side.



MA778400i

Step 6: Adjust doors if necessary.