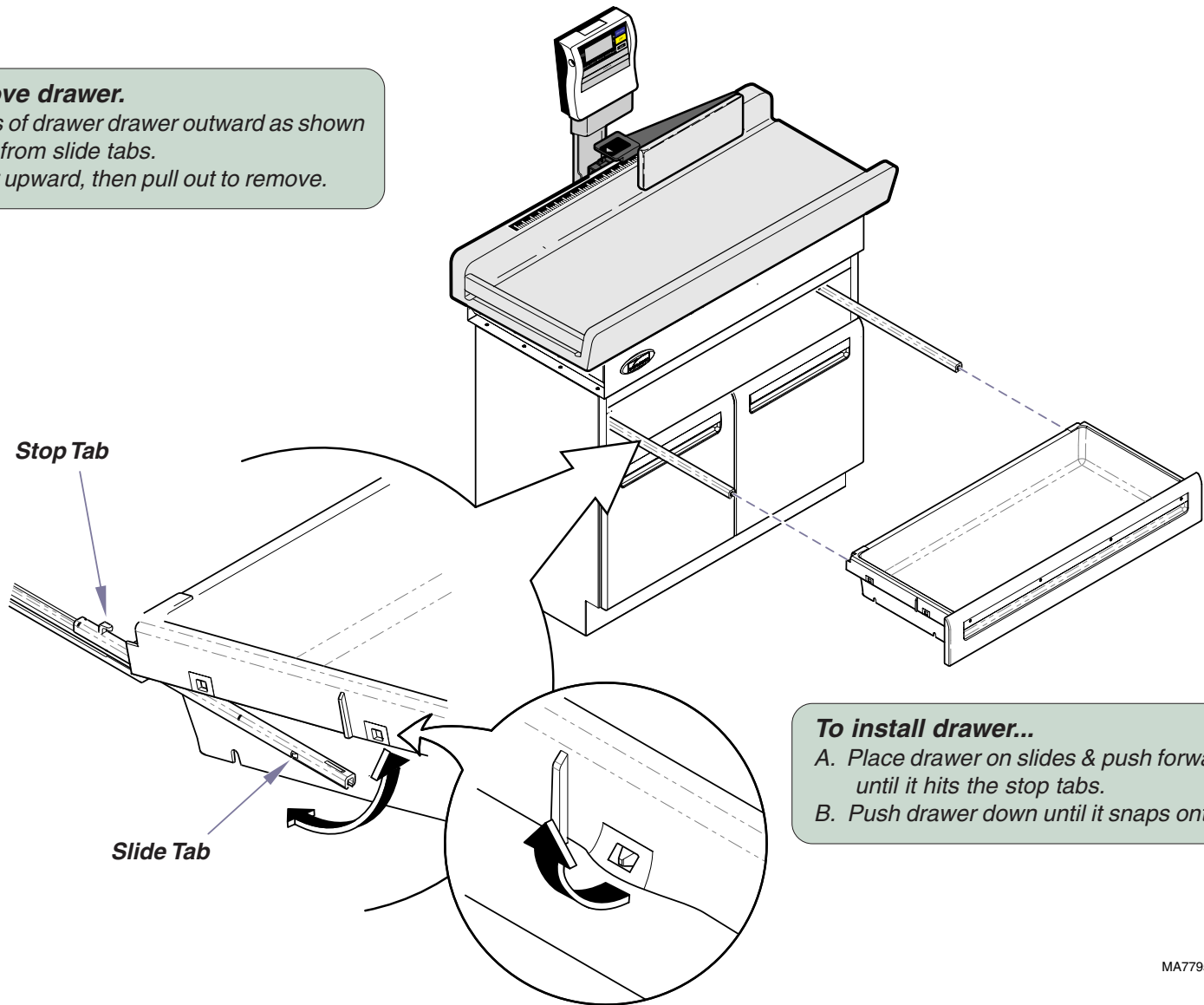


Pediatric Upholstery Kit [002-1109-0x-xxx]

Components:
Upholstered Top 1
Linear Scale Pad 1

Special Tools:
none

Step 1: Remove drawer.
A. Spread sides of drawer outward as shown to release from slide tabs.
B. Pivot drawer upward, then pull out to remove.

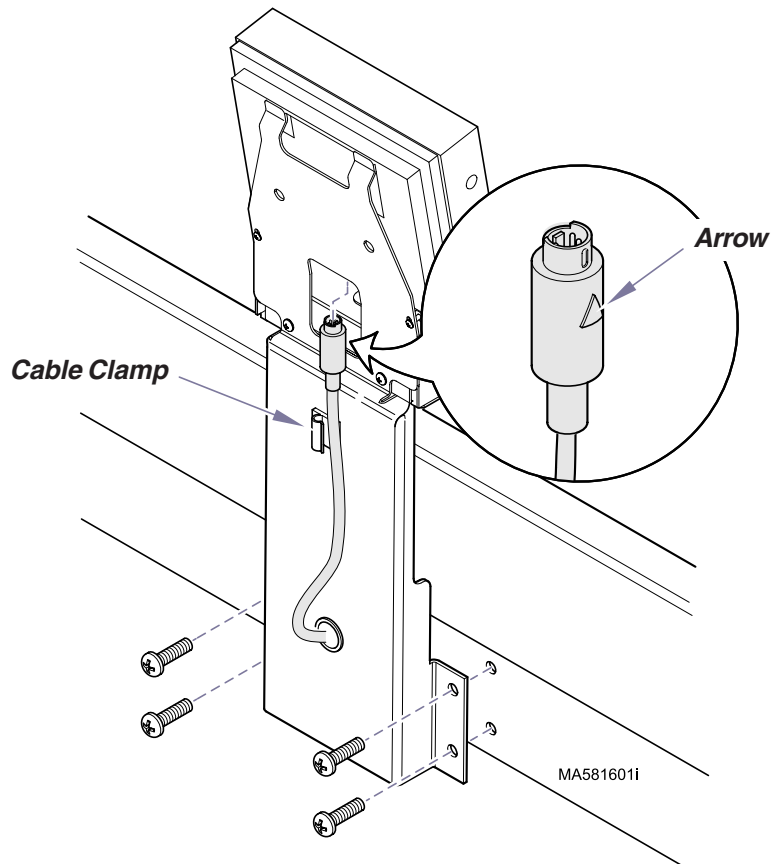


To install drawer...
A. Place drawer on slides & push forward until it hits the stop tabs.
B. Push drawer down until it snaps onto slide tabs.

MA779500i

Step 2: Remove digital display / bracket assembly.

- A. Disconnect scale harness and AC adapter harness from digital display.
- B. Remove four screws and digital display / bracket assembly.

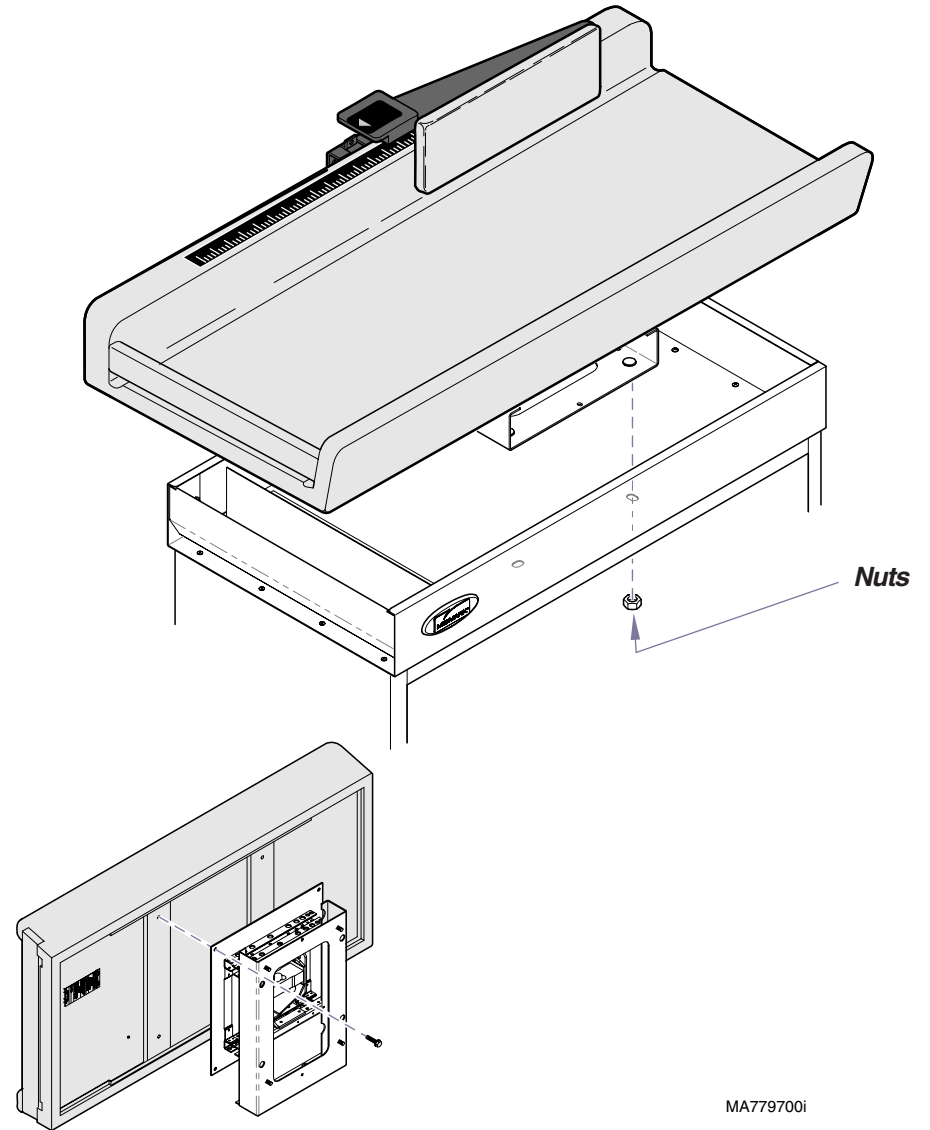


To install digital display / bracket...

- A. Secure scale bracket to back of table with four screws.
- B. Connect cable to digital display.
(Arrow must be facing the front of digital display to connect).
- C. Snap cable into cable clamp.

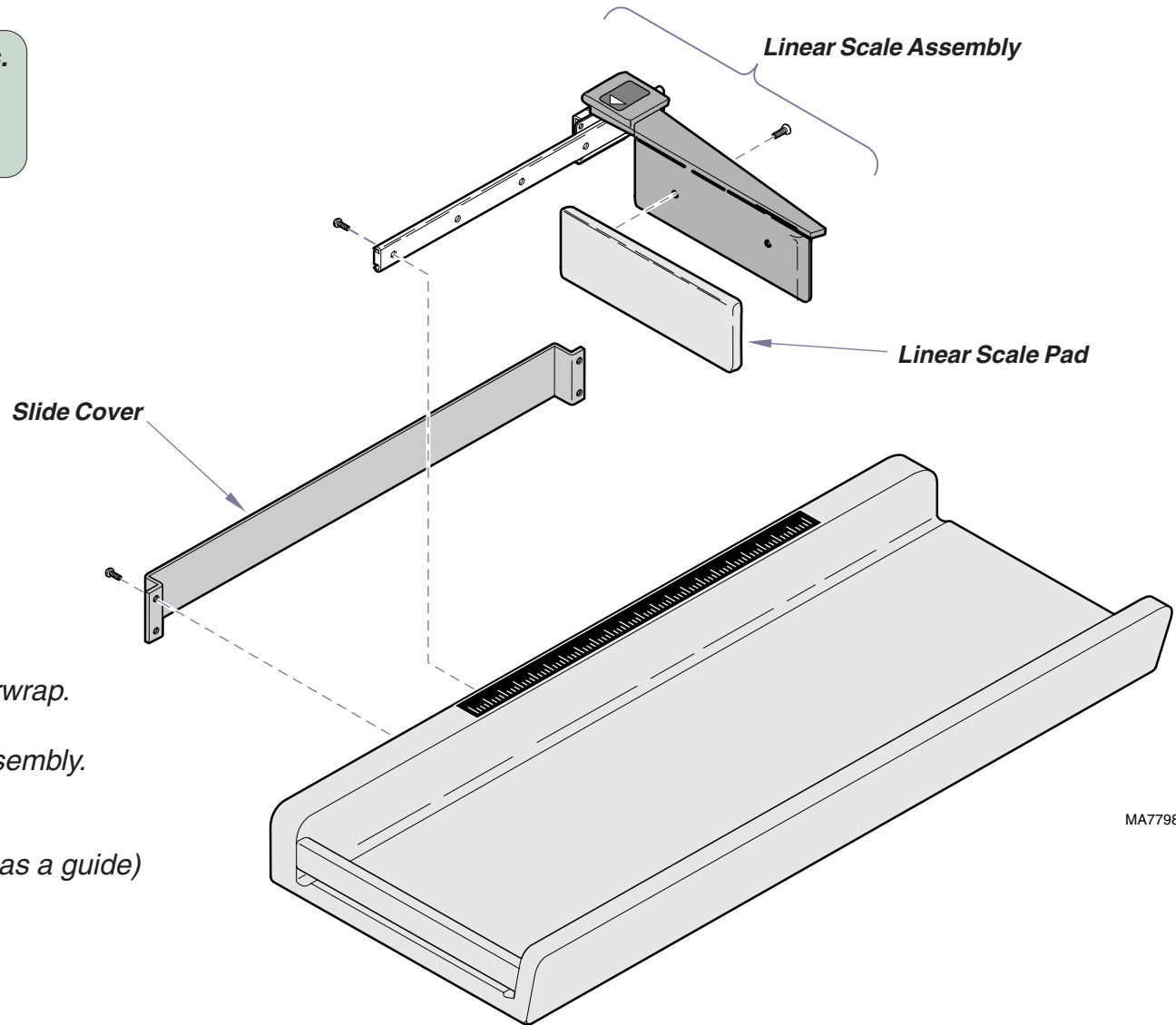
Step 3: Remove upholstered top / scale platform.

- A. Remove four nuts.
- B. Remove upholstered top / scale platform.
- C. Remove four hex screws.
- D. Separate scale platform from upholstered top.



Step 4: Remove linear scale components.

- A. Remove slide cover.
- B. Remove linear slide assembly.
- C. Remove linear scale pad.



To complete installation:

- Secure scale platform to upholstered top.
- Secure uph. top / scale assembly to upperwrap.
- Install linear scale components.
- Install / connect digital display bracket assembly.
- Install drawer.

(Use the removal instructions / illustrations as a guide)

MA779800i