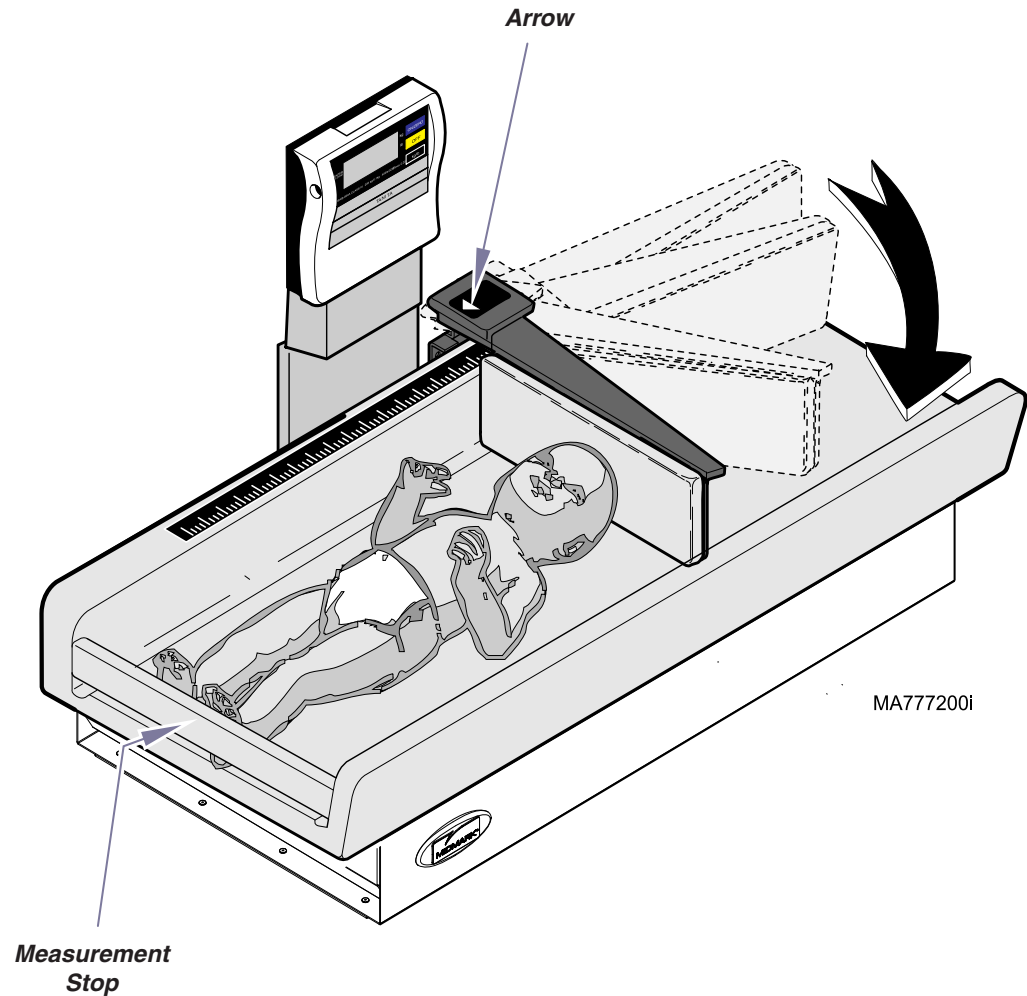


Measuring Patient Length

- A. Lay patient on table with feet against measurement stop and legs extended.
- B. Pivot measuring arm out as shown.
- C. Carefully slide scale arm until it contacts patient's head.
- D. Read the measurement at arrow on scale arm.



Maintenance

Preventive Maintenance Schedule

Daily: Clean the table as necessary.
(Refer to: **Cleaning**)

Weekly: Check accuracy of digital scale.
(Refer to: **Verifying Scale Accuracy**)

(For a complete maintenance schedule, refer to the 640 User Guide on the enclosed cd)

Cleaning

Upholstery

Wash your upholstery weekly with a mild liquid soap and water mixture, rinse with clear water and dry completely to remove disinfection cleaner build-up.

Disinfect your upholstery with a solution of standard bleach and water mixed 1 in 10 (10%) or chlorine based cleaners. Follow this with a clear water rinse and thorough drying of material. See current CDC Guideline for Disinfection & Sterilization in Healthcare Facilities.

To minimize damage caused by disinfectant cleaner residue build-up, do not allow disinfectants to pool on the upholstery surface. Once the approved contact time has been obtained, remove and dry excess liquid remaining on the surface.

Detailed care and maintain instructions are available in your user guide located on the CD that came with your table or by referring to [Upholstery Care and Maintenance](#).

Painted Metal / Plastic Surfaces

Clean the painted metal and plastic surfaces weekly using a clean soft cloth, and mild cleaner. Periodic applications of common furniture wax will ease cleaning, and maintain the finished luster of the surfaces.

Calling for Service

If service is required, contact your Midmark dealer.

To contact Midmark directly:

1-800-Midmark (1-800-643-6275)
8:00 am until 5:00 pm Mon-Fri (EST)

Midmark Corporation
60 Vista Drive
Versailles, OH 45380-0286
Phone: 937-526-3662
Fax: 937-526-5542
midmark.com



Because we care.



Quick Reference Guide

640

Pediatric Examination Table

Model Number:

Serial Number:

Dealer Info:

Purchase Date:

Upholstery Color:

003-1812-00 Rev. D (10/13)

This guide outlines basic operation of the table. The enclosed cd provides additional instructions on operation and care. If service is required, contact your authorized Midmark dealer.



Safety Instructions



(*) WARNING

When dispensing medication based on patient weight, the accuracy of the scale is critical. Before using the digital scale, refer to *Verifying Scale Accuracy*. In addition, refer to the *Preventive Maintenance Schedule* for the recommended frequency of this check. If the scale is determined to be out of calibration, contact your authorized Midmark service provider before using the scale.

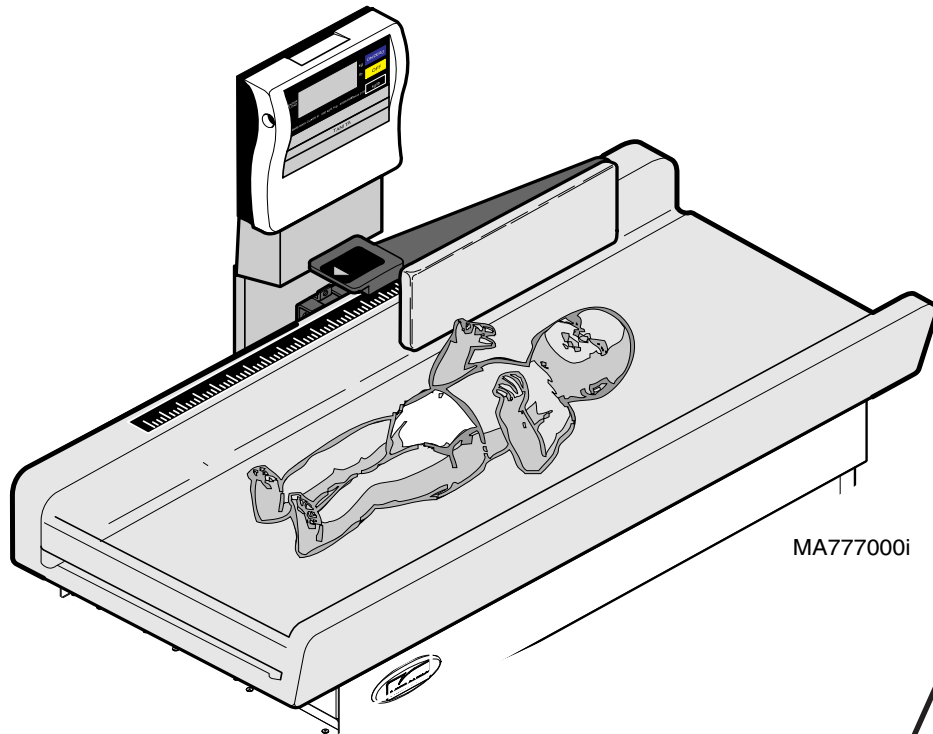


CAUTION

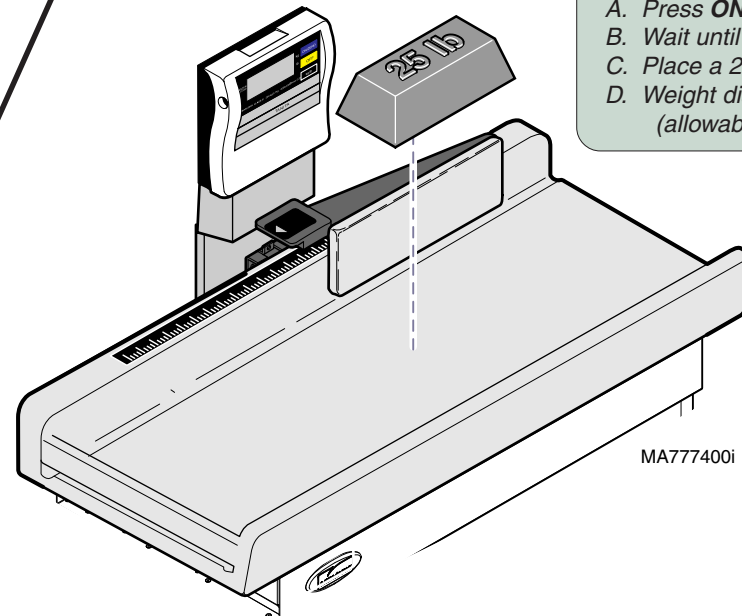
The maximum patient weight rating for the table is 40 lbs (20 kg).
The maximum patient height (length) rating for the table is 36 in. (91 cm).
The patient on the table must be attended by the doctor / assistant or parent at all times.

Weighing a Patient (*)

- Press **ON / ZERO** button.
- Wait until display shows "0.0" with arrow beside **CENTER ZERO**.
- Position patient on center of table.
(Limit movement until arrow appears beside **WEIGHT LOCK**)



MA777000i



MA777400i



Verifying Scale Accuracy

- Press **ON / ZERO** button.
- Wait until display shows "0.0" with arrow beside **CENTER ZERO**.
- Place a 25 lb (11.3 kg) calibrated test weight on center of table.
- Weight displayed should match the test weight (*).
(allowable tolerance: ± 2 oz (56 g))