



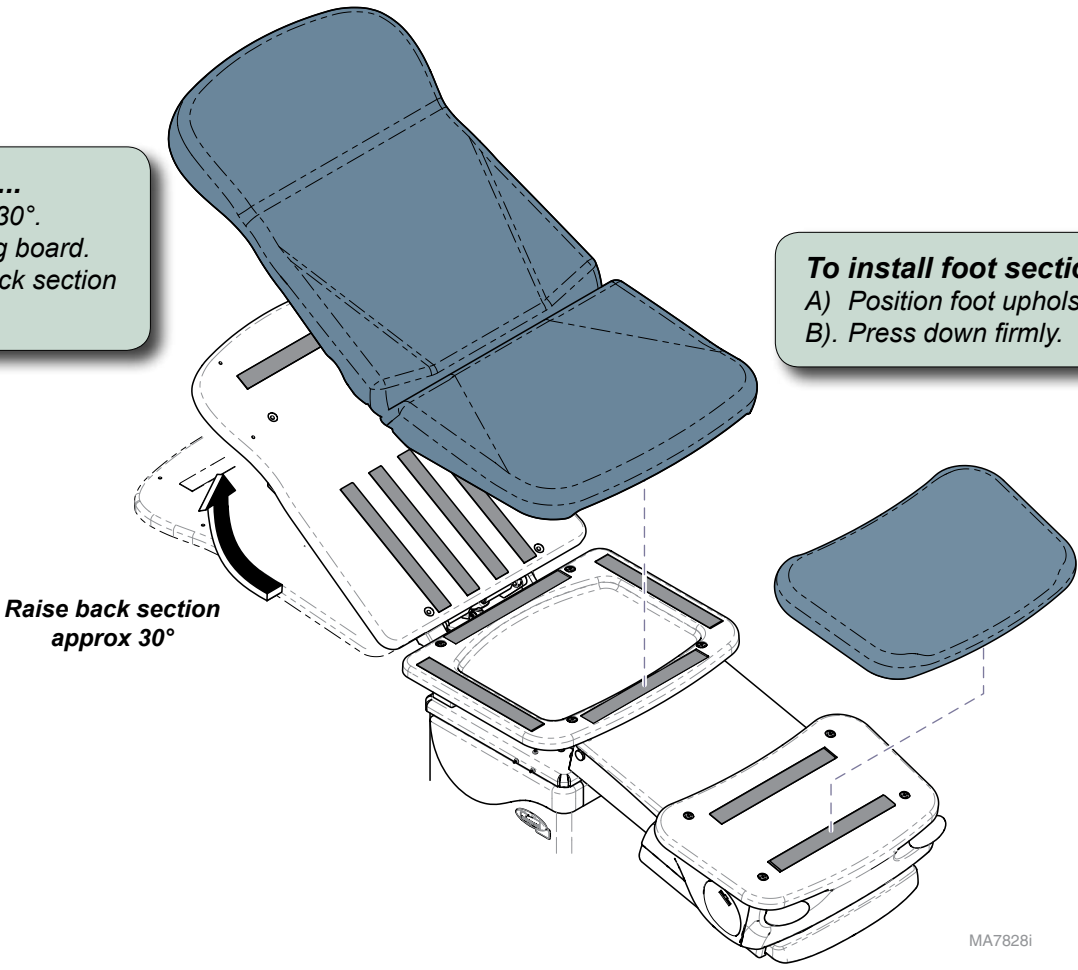
# Podiatry Chair Upholstery Installation

**Applies to Models:**  
646 (all)  
647 (all)

**Special Tools:**  
none

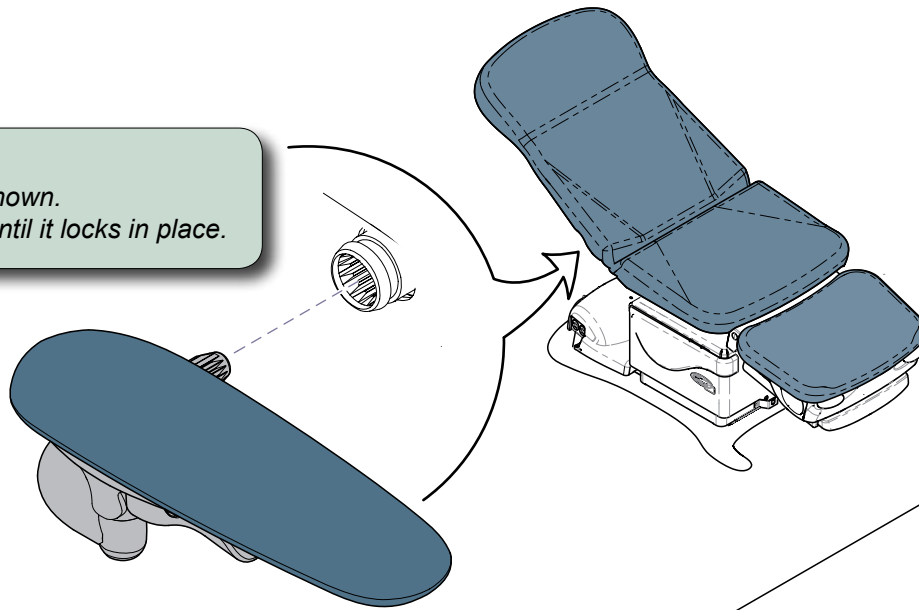
**To install seat / back section upholstery...**  
A) Raise back section of table approximately 30°.  
B) Position front of seat uph. against mounting board.  
C) Press seat section down firmly, then lay back section into position and press down firmly.

**To install foot section upholstery...**  
A) Position foot upholstery on mounting board.  
B). Press down firmly.



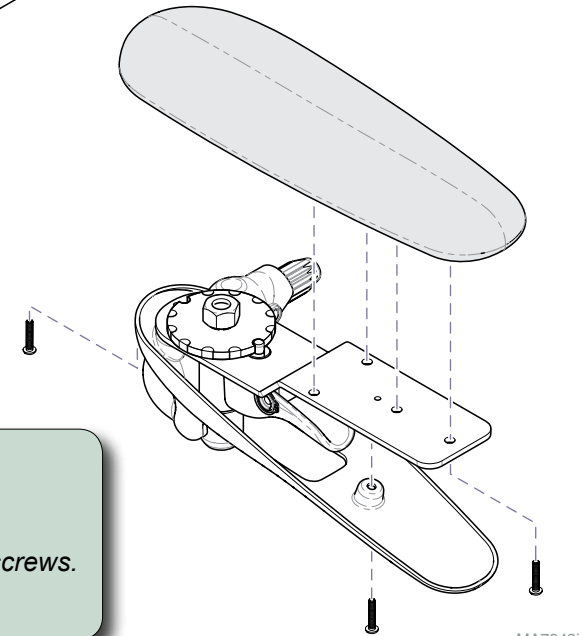
**To install chair arms...**

- A) Position chair arm as shown.
- B) Insert arm into socket until it locks in place.



**To replace chair arm upholstery...**

- A) Remove two screws securing bottom cover.
- B) Remove four screws securing upholstered pad.
- C) Position new upholstered pad, then secure with four screws.
- D) Position bottom cover, then secure with two screws



MA7943i