



Vision Block Screen [9A422]

Contents:
Installation 1
Exploded View 2

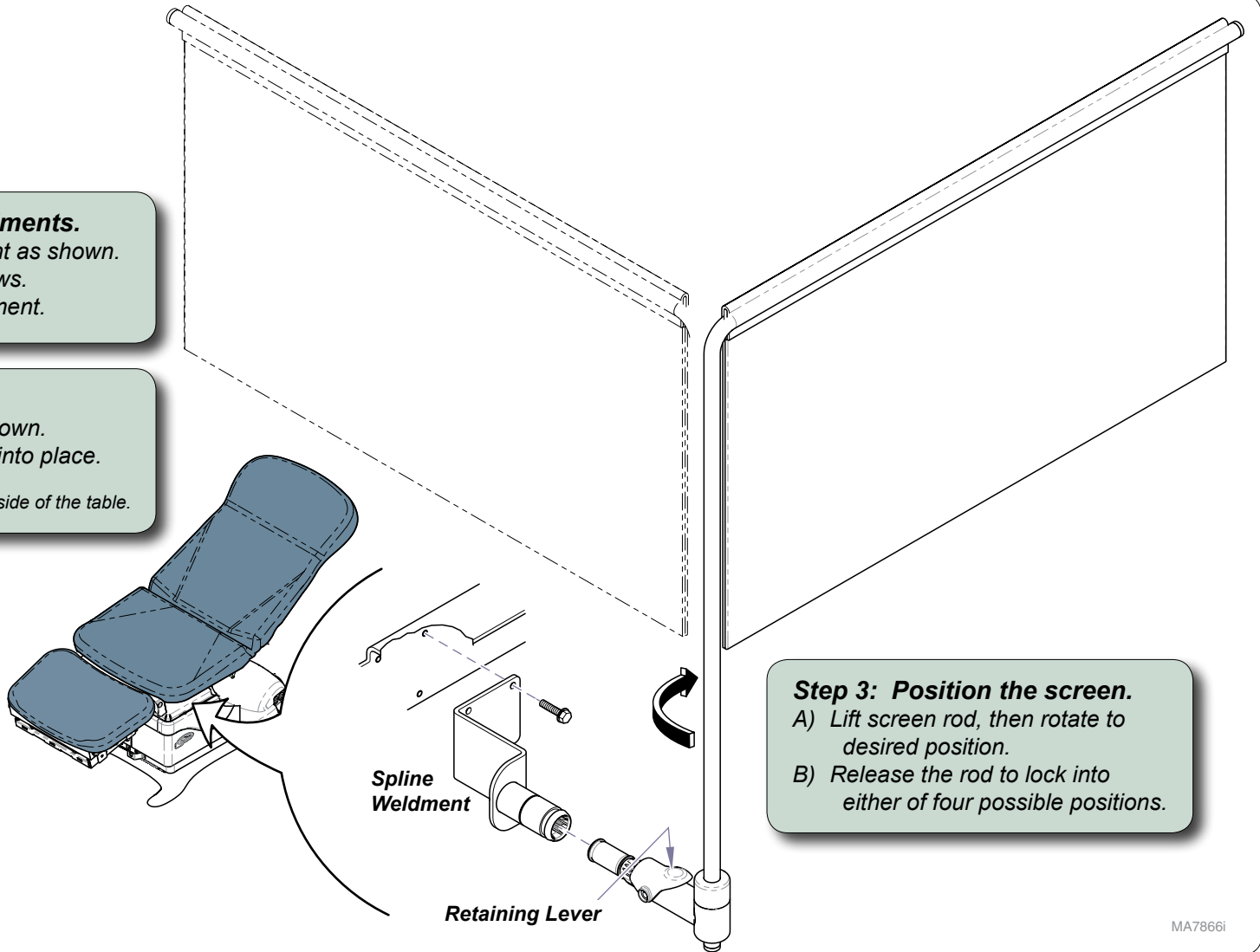
Special Tools:
none

Intended Use:
To provide a visual barrier for the patient during podiatry procedures.

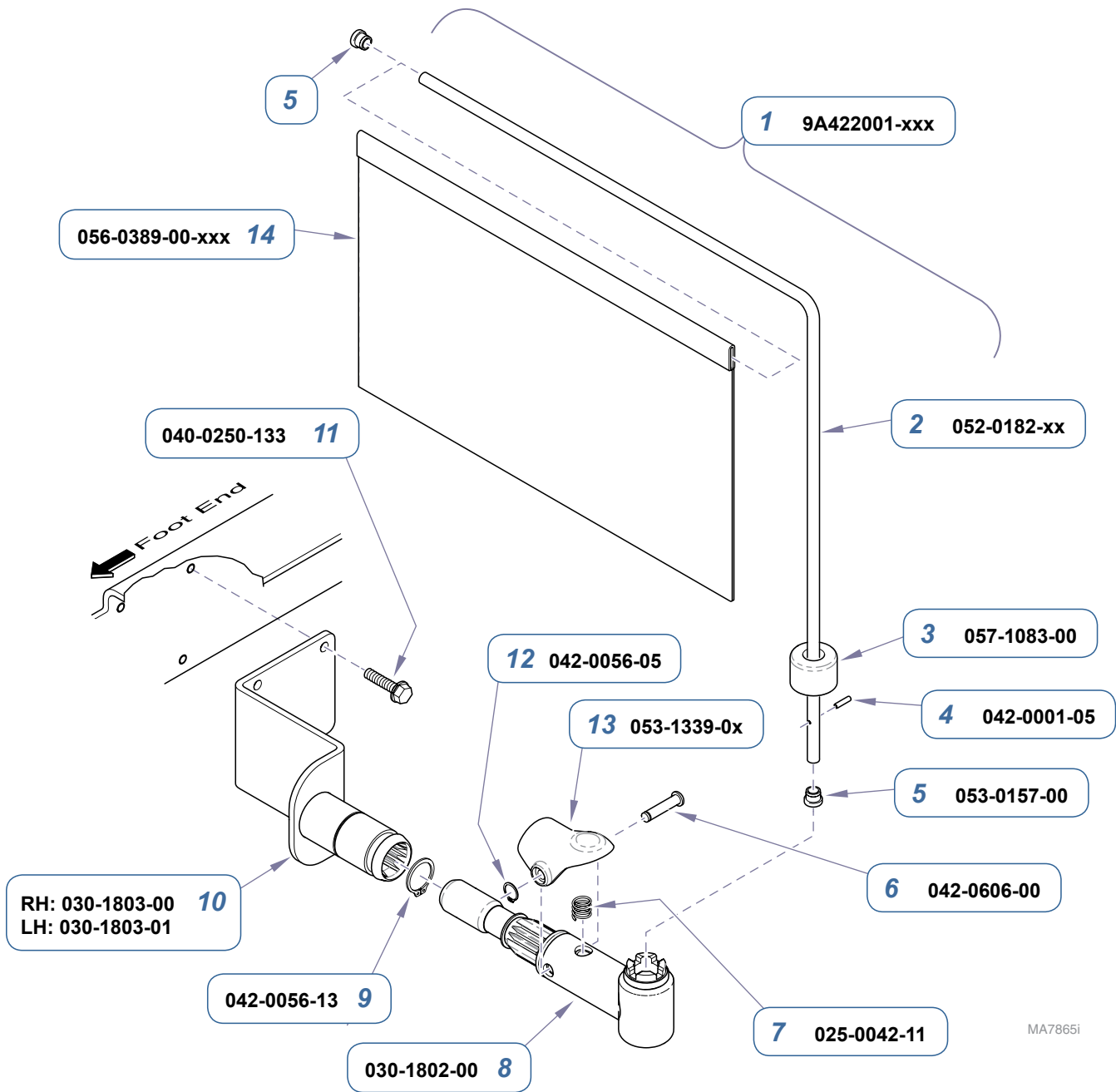
Step 1: Install spline weldments.
A) Position LH spline weldment as shown.
B) Secure with three hex screws.
C) Repeat for RH spline weldment.

Step 2: Install screen assembly.
A) Insert screen assembly into spline as shown.
B) Press inward until retaining lever snaps into place.

Note: The screen assembly can be installed on either side of the table.



Step 3: Position the screen.
A) Lift screen rod, then rotate to desired position.
B) Release the rod to lock into either of four possible positions.



| Item | Description | Qty. |
|------|--|------|
| 1 | Vision Block Screen Assembly (includes items 2 thru 13) | 1 |
| 2 | • Hanger Rod | 1 |
| 3 | • Cap | 1 |
| 4 | • Pin | 1 |
| 5 | • Plug | 2 |
| 6 | • Clevis Pin | 1 |
| 7 | • Spring | 1 |
| 8 | • Pivot Attachment | 1 |
| 9 | • Retaining Ring | 1 |
| 10 | • Spline Weldment (LH shown) | 2 |
| 11 | • Hex Screw (1/4-20 x 1/2") | 6 |
| 12 | • Retaining Ring | 1 |
| 13 | • Retaining Lever | 1 |
| 14 | • Screen | 1 |

Serial Numbers / Dates: all