

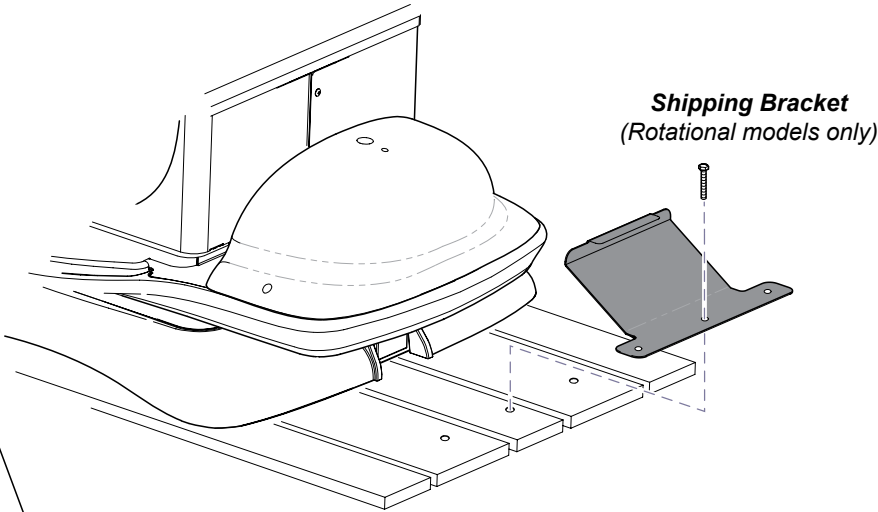
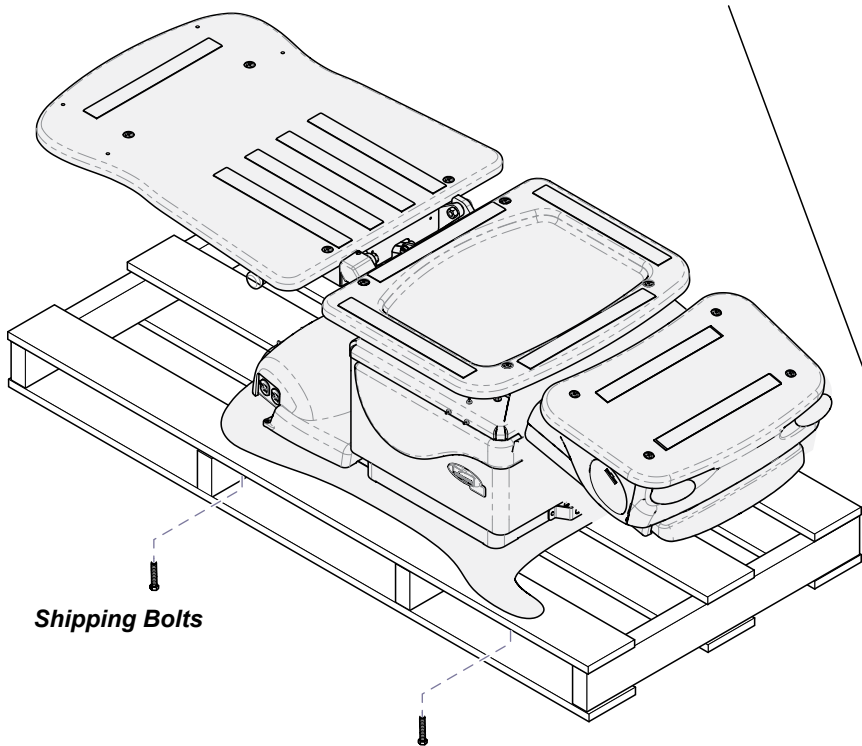


Podiatry Chair Installation

Applies to Models:
646 (all)
647 (all)

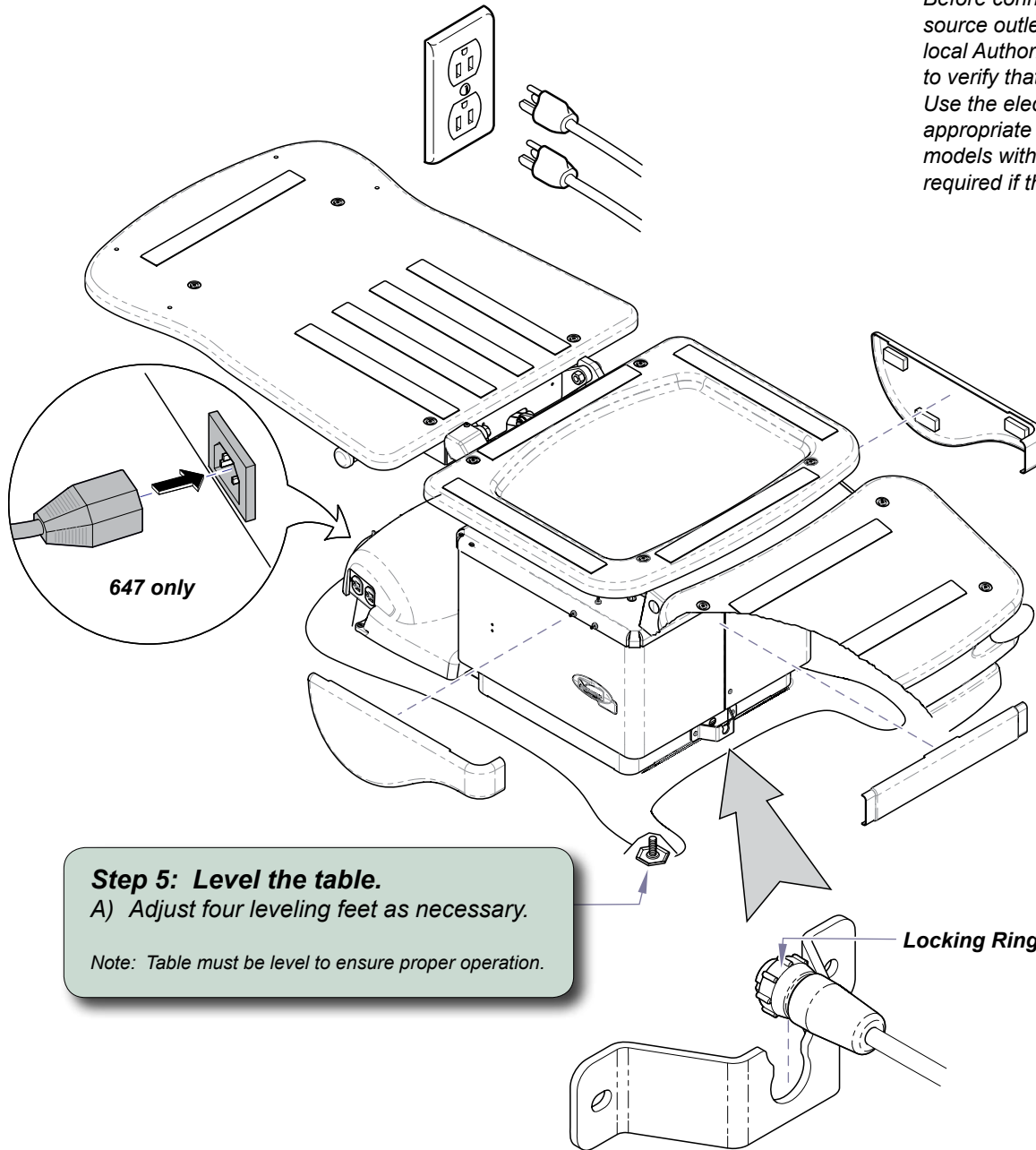
Special Tools:
level

Step 1: Remove table from skid.
A) Remove shipping bolts.
B) Remove shipping brace. (Rotational models only)
C) Carefully remove table from skid.



MA7829I

Before connecting the Midmark device power cord into an electrical power source outlet, it is recommended to contact a local licensed electrician or a local Authority Having Jurisdiction over the internal building power distribution to verify that the device when powered up will comply with all local electrical codes. Use the electrical power rating marked on the device when determining the appropriate electrical branch circuit and outlet requirements. For 115V rated device models with a current rating at or above 12 Amps, a dedicated branch circuit may be required if the branch circuit protection is provided by a 15 Amp breaker.



Step 2: Connect power cord.

Note: 646 models have a dual power cord. Both cords must be connected for proper operation.

647 models have a detachable power cord.

Step 3: Install magnetic base covers.

Step 5: Level the table.

A) Adjust four leveling feet as necessary.

Note: Table must be level to ensure proper operation.

Step 4: Connect foot control.

A) Slide narrow portion of cord connector into bracket.

B) Connect cord to inlet (see Note).

C) Tighten locking ring.

Note: The cord connector is “keyed” and must be aligned with inlet.

MA7830i