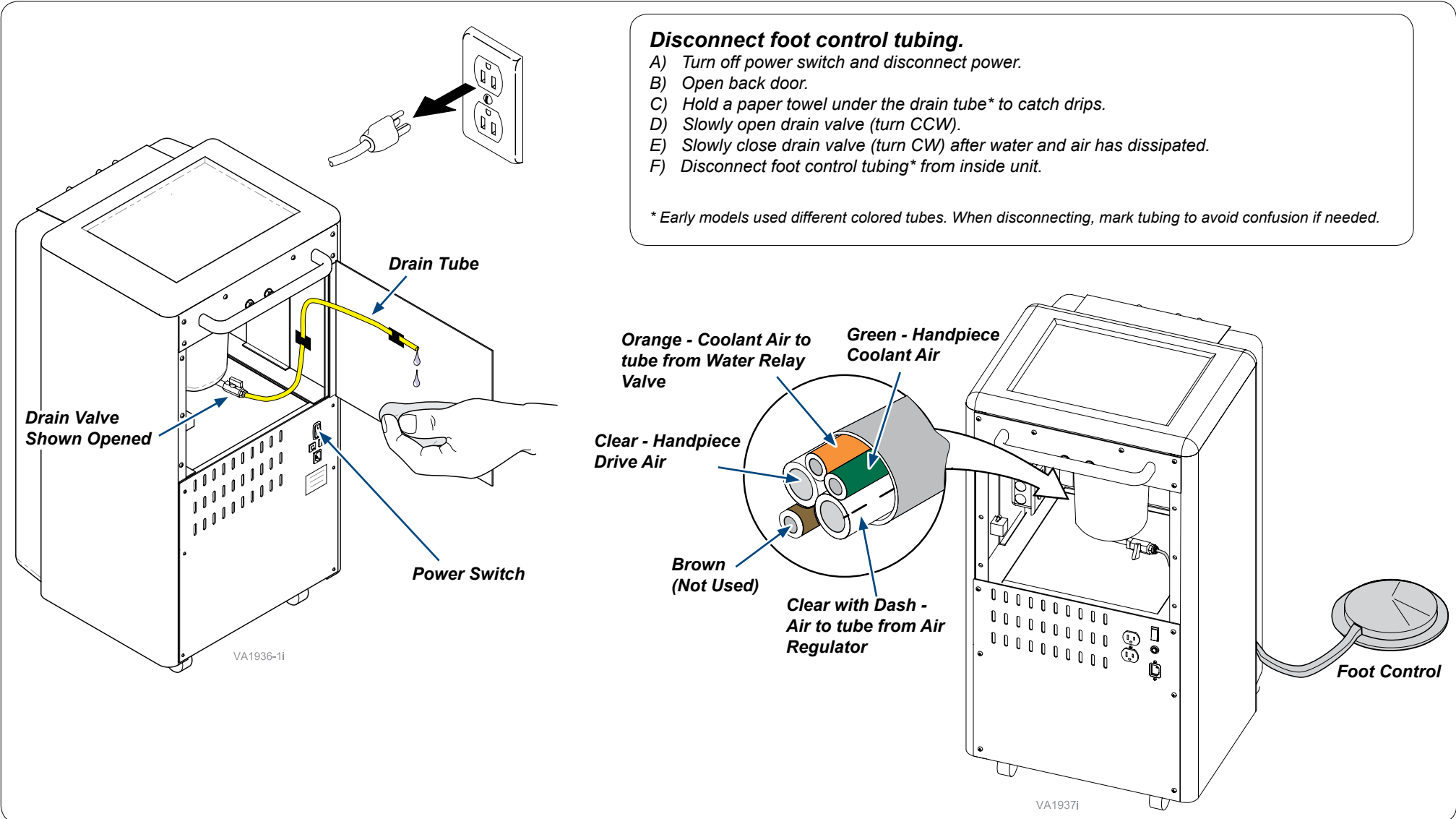
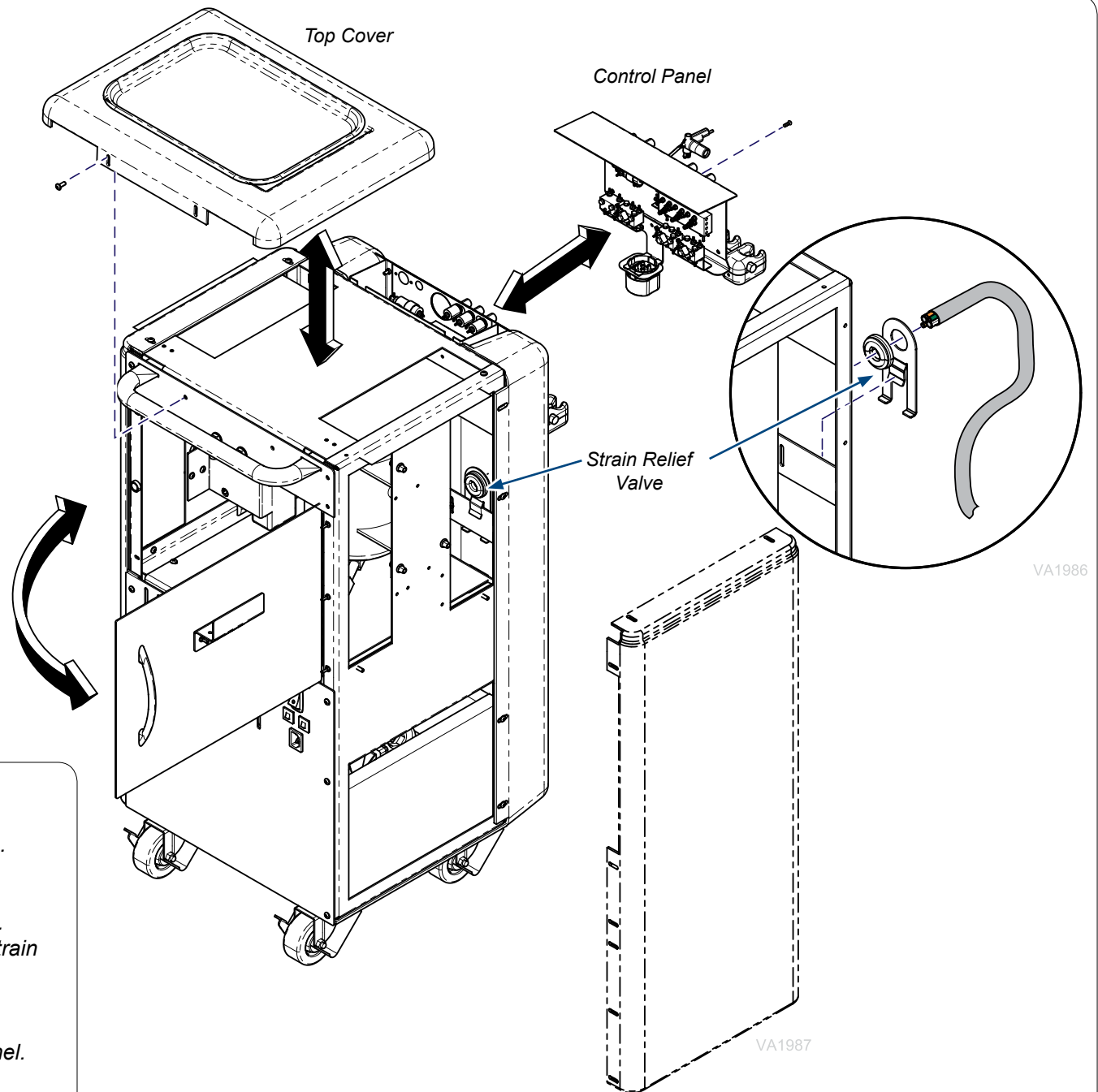




# Foot Control Replacement Kit [002-1161-00] Strain Relief Kit [002-10367-00]

**Components:**  
Foot Control Assy... 1  
Strain Relief Kit..... 1  
**Special Tools:**  
None





**Install Foot Control and Strain Relief Kit.**

- A) Turn off power switch and disconnect power.
- B) Remove 4 screws from control panel and remove.
- C) Remove 4 screws from top cover and remove.
- D) Open back door.
- E) Run foot control tubing through bottom left of unit.
- F) Route foot control tubing 15 inches through the strain relief clip and grommet.
- G) Slide strain relief clip onto metal frame.
- H) Connect foot control tubing inside unit.
- I) Close back door. Install top cover and control panel.
- J) Connect power and turn on power switch.