

Wireless Foot Control Installation [9A418]

Compatible with models:
647 (all)

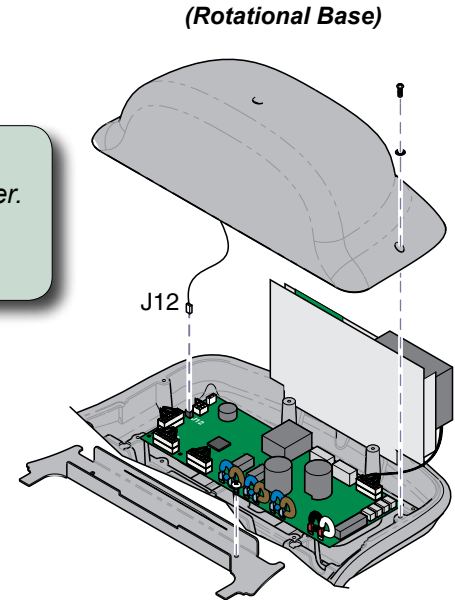
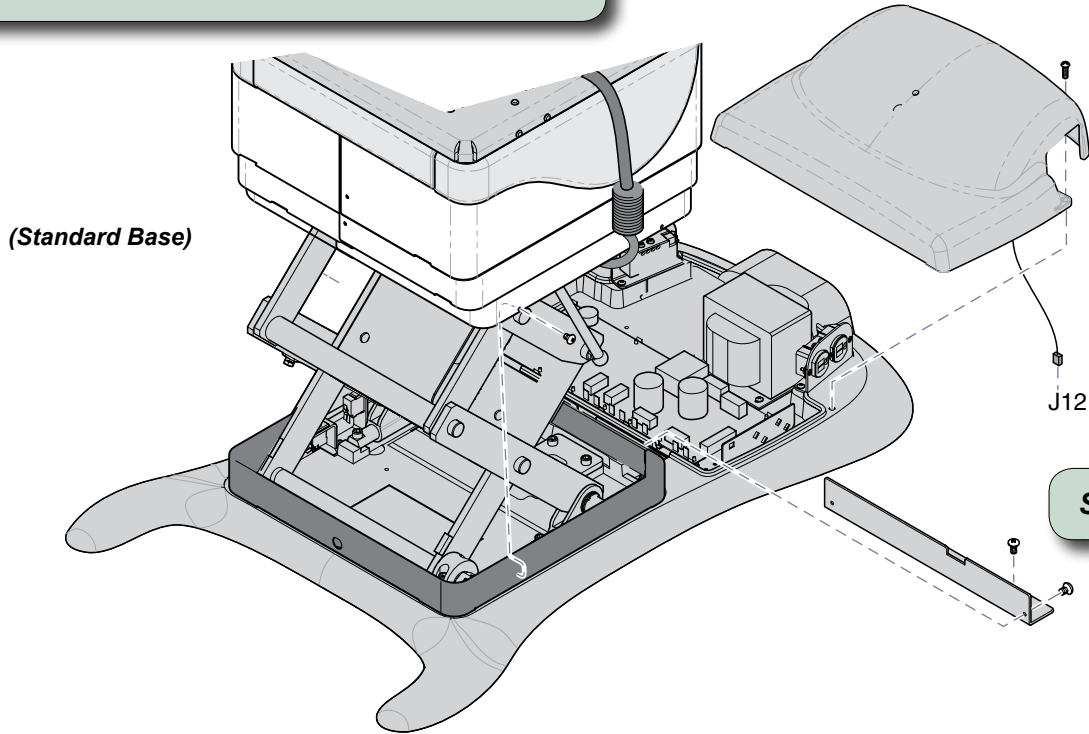
Components:

Antenna	1
PC Board	2
Nut	1
Wire Harness	1
Foot Control	1
Batteries (AA)	2

Caution
Always disconnect power to chair before removing covers or performing any service procedures.

Step 1: Raise base shrouds.
A) Remove bottom screws from inner shrouds.
B) Stretch bungee cord across base column.
C) Lift shrouds, then attach bungee cord hooks under shrouds on both sides.

Step 2: Remove PC board cover.
A) Remove two screws, then *partially* separate cover.
B) Disconnect wire harness from J12 on PC board.
C) Remove PC board cover.



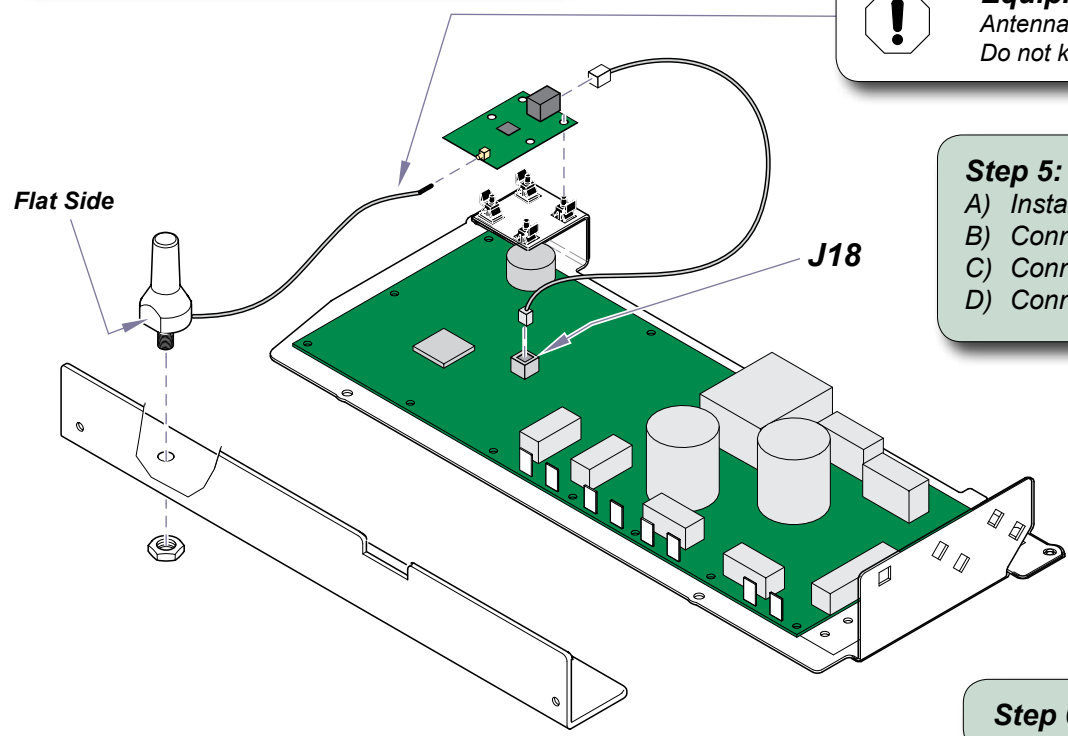
Step 3: Remove wire harness cover.

MA7941i

Step 4: Install antenna.

- A) Insert antenna thru hole in wire harness cover with flat side positioned as shown.
- B) Secure antenna with nut.

Equipment Alert
Antenna connection is very delicate.
Do not kink wire or apply stress to connection.

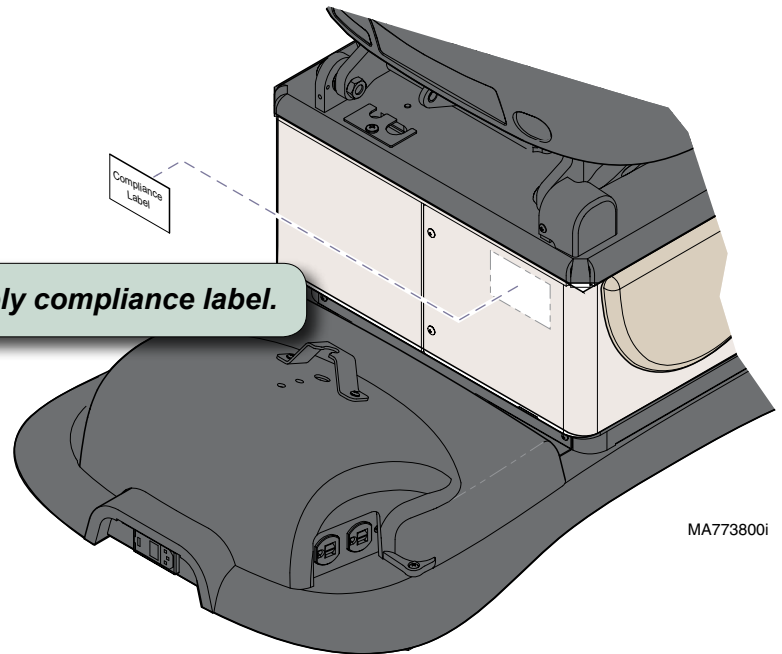


Step 5: Install / connect base station PC board.
A) Install PC board onto standoffs as shown.
B) Connect antenna to base station PC board.
C) Connect wire harness to base station PC board.
D) Connect other end of harness to J18 on main PC board.

To complete installation:

- Install batteries in foot control
- Check for proper operation
- Install wire harness cover
- Install PC board cover
- Lower / secure shrouds

Step 6: Apply compliance label.



MA773800i