



# VetPro® 5000 Junction Box Installation

**Applies to Models:**  
8001-001  
8001-002  
8001-003  
8001-005  
8001-006  
8001-007

**WARNING**  
Equipment is not suitable for use in the presence of a flammable anesthetic mixture.

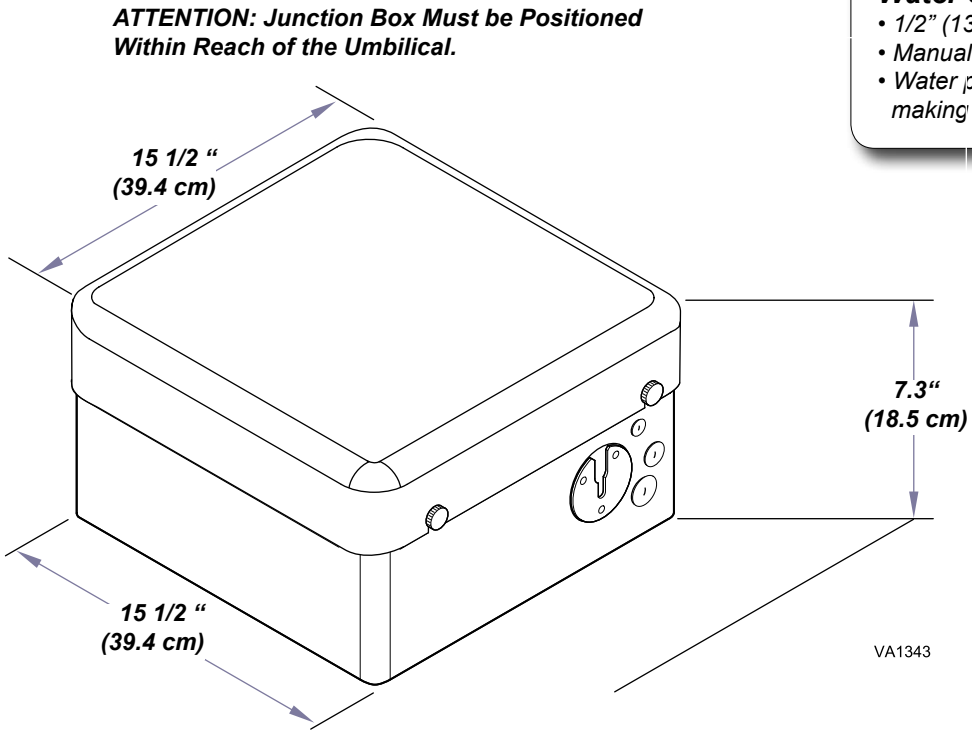
**Equipment Alert**  
When installing 115 VAC receptacle in the junction box, the ground must be positioned as shown on diagram/template (in this manual) to accommodate power cord.

**Electrical Requirements**

- 115 VAC models only - Grounding reliability can only be achieved if this equipment is connect to an equivalent receptacle marked Hospital Grade (NEMA 5-15R, HOSPITAL GRADE).
- 1/2" (13mm) conduit box with quad receptacle.
- Wire box per local codes and regulations.

**Water Supply Requirements**

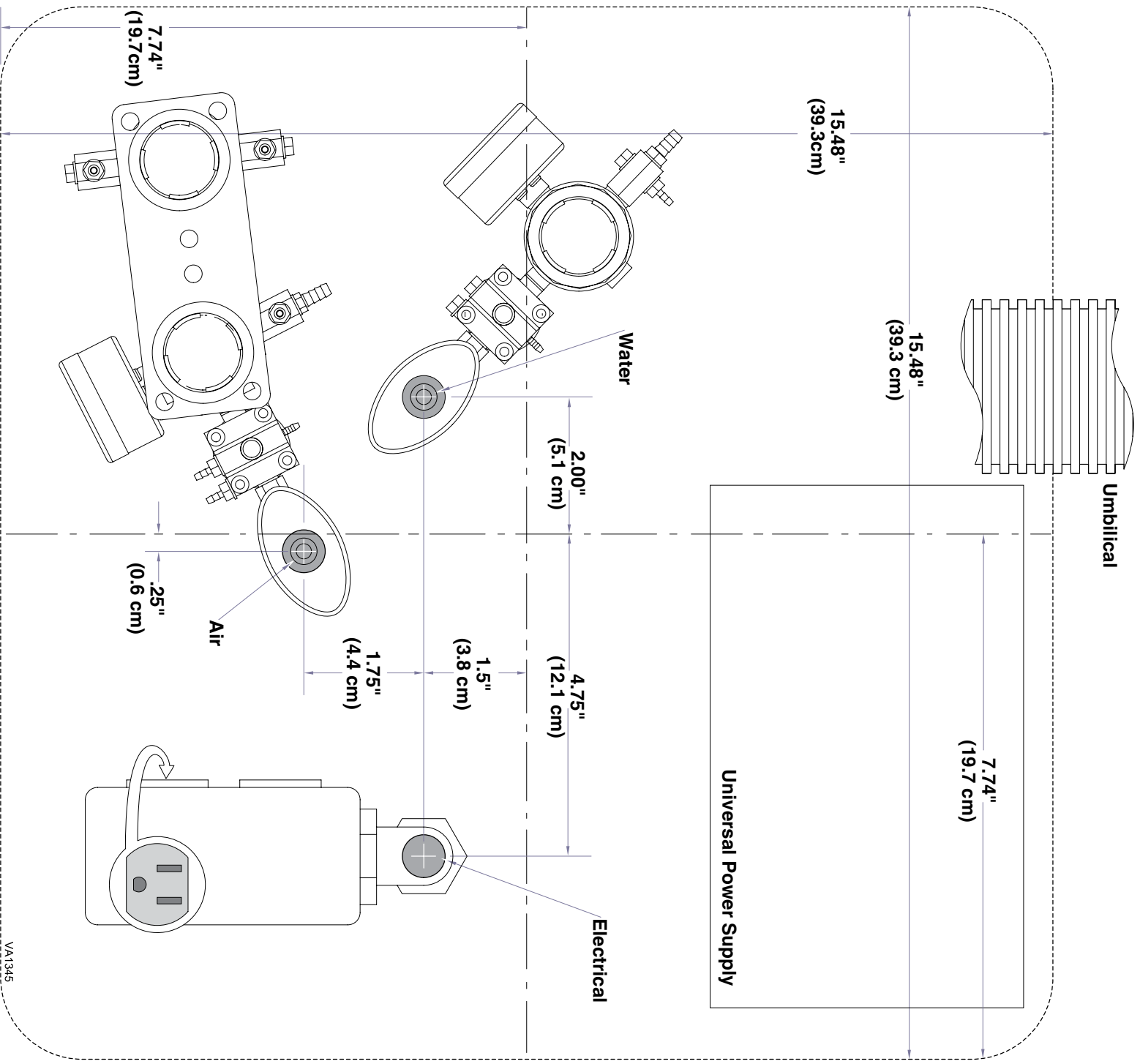
- 1/2" (13 mm) pipe (supplied by contractor) protruding 2" (51 mm) above finished surface of floor.
- Manual shut off valve ( supplied by Midmark) to be installed by contractor.
- Water pressure must be 30-50 (max.) PSI at the shut-off valve. Flush water plumbing clean before making final connections to dental equipment.



**Air Supply Requirements**

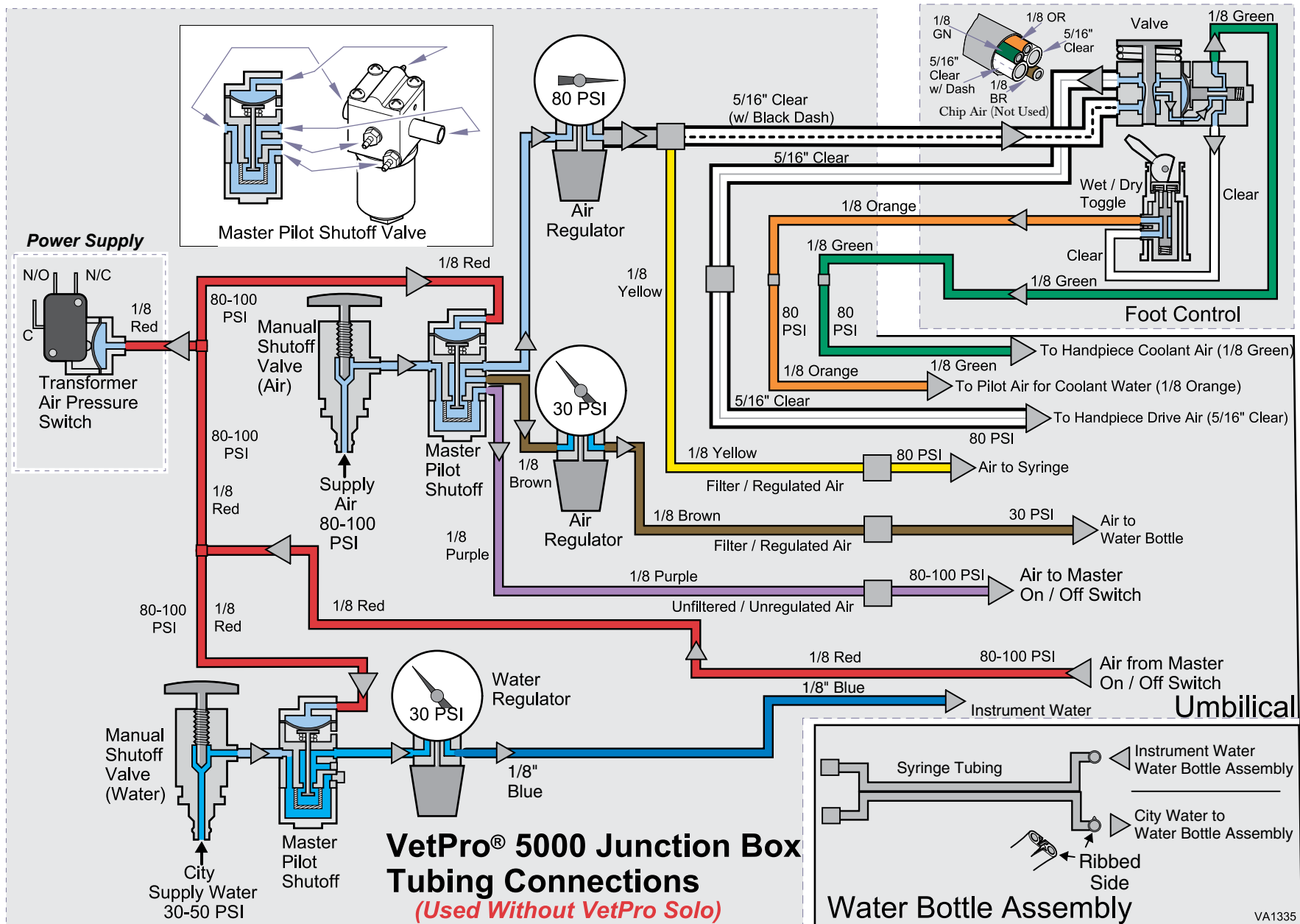
- 1/2" (13 mm) pipe (supplied by contractor) protruding 2" (51 mm) from finished surface of floor.
- Manual shut off valve ( supplied by Midmark) to be installed by contractor.
- Air pressure must be 80 - 100 (max.) PSI at the shut-off valve.
- Flush air plumbing clean before making final connections to dental equipment.

**Not to Scale**



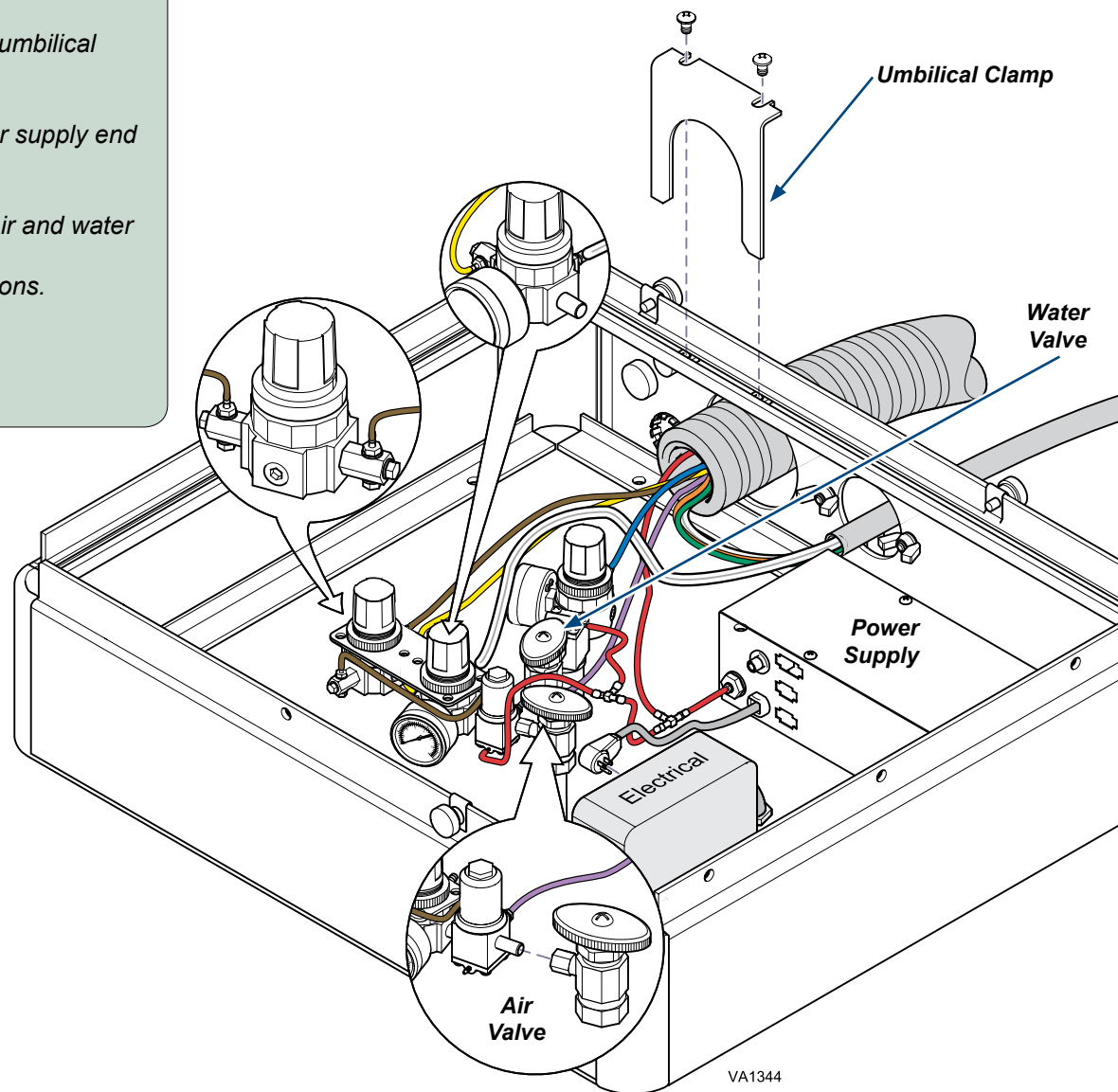
VA1345

003-1913-00 Rev A



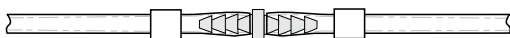
### To Connect Junction Box..

- A) Position frame over utility connections.
- B) Connect air and water regulators to air and water source.  
Tighten compression nuts.
- C) Remove umbilical clamp. Position umbilical as shown. Replace umbilical clamp.
- D) Connect end of red tubing to power supply.
- E) Cut red tubing at about 3" from power supply and connect power supply end to tee fitting provided.
- F) Connect umbilical end of red tubing to power supply tee fitting.
- G) Connect cut piece of red tubing to power supply tee fitting and air and water regulator tee fitting.
- G) Refer to tubing diagram in this manual for other tubing connections.
- H) Plug electrical connection into power supply.
- I) Screw Junction Box frame to floor. (Optional)
- J) Set lid on Junction Box frame.



### To Connect Tubing..

- A) Slide uni-clamp onto tubing.
- B) Slide tubing onto barbed fitting.
- C) Slide uni-clamp over the barbed fitting.



DA2362