



Rear Storage Unit [9A431]

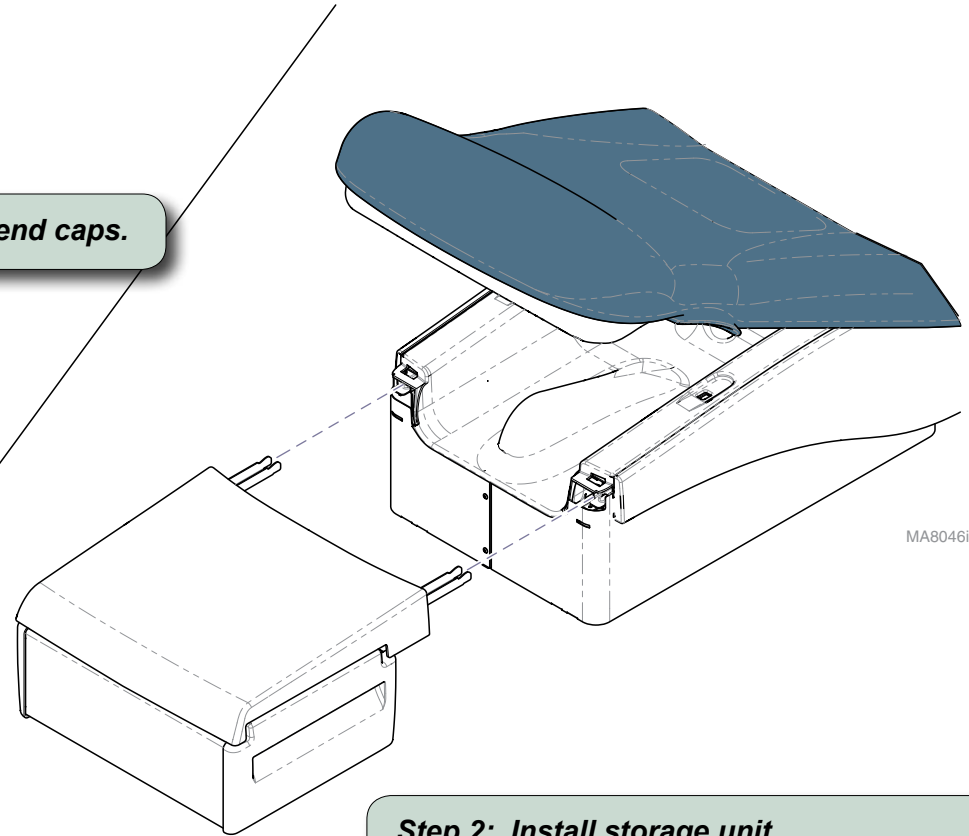
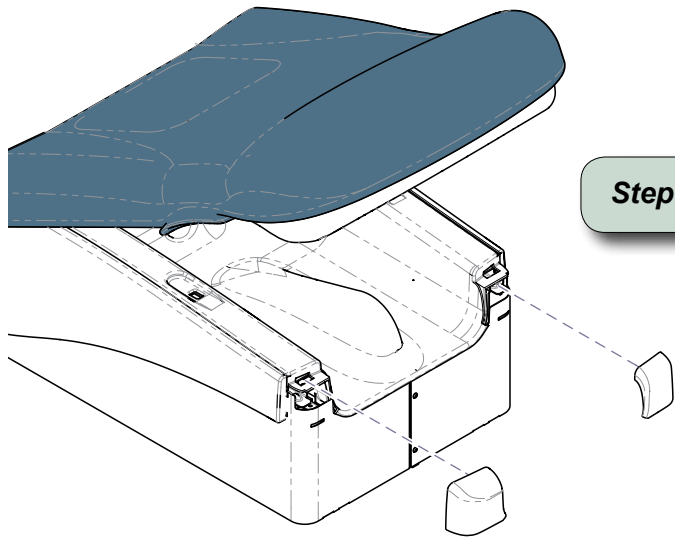
Contents:
Storage Unit..... qty: 1

Special Tools:
none

Intended Use:

To provide additional storage on Midmark 625 tables.

Step 1: Remove two end caps.

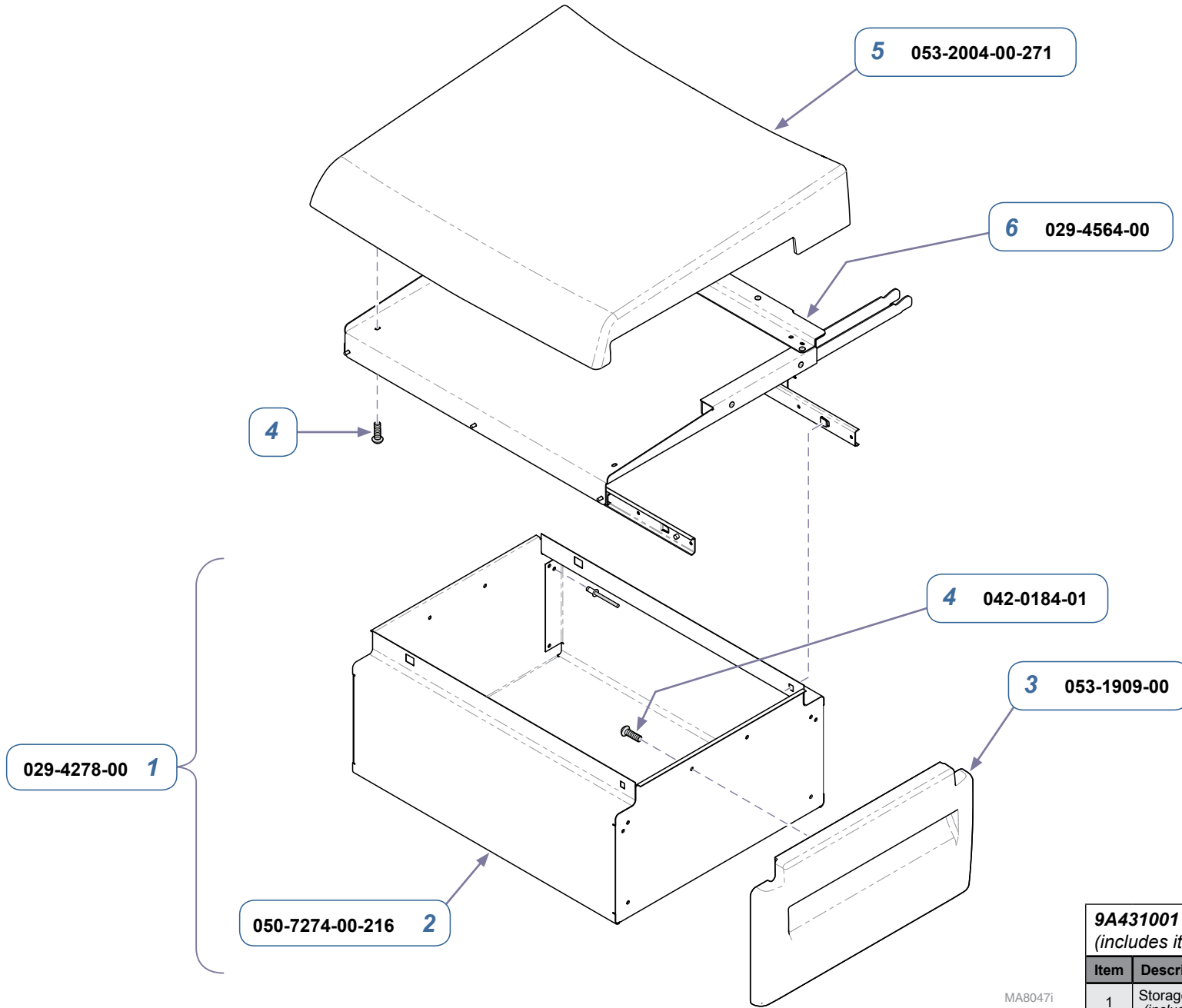


MA8046i

Step 2: Install storage unit.

- A) Slide unit in, until rails hit back of channels.
- B) When properly installed, unit will drop approx. 1 inch & lock in place.

Note: To remove, lift unit & pull out of channels.



MA80471

9A431001 Rear Storage Unit (includes items 1 thru 6)		
Item	Description	Qty.
1	Storage Drawer Assembly (includes items 2 thru 4)	1
2	• Drawer	1
3	• Drawer Front	2
4	• Screw	1
5	Top Cover	1
6	Support Frame Assembly	1

Serial Numbers / Dates: all