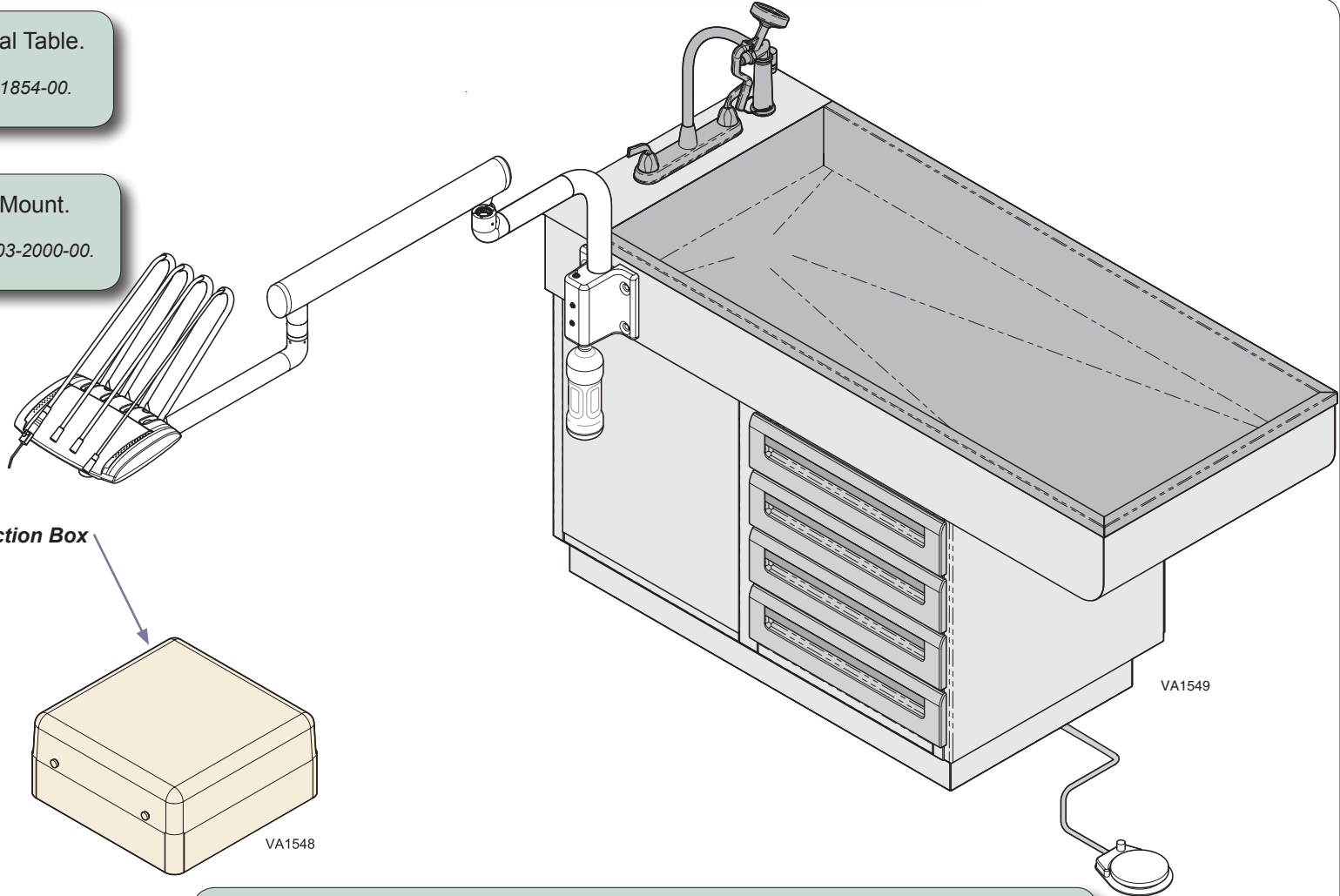


# Dental Suite Installation

**Step 1:** Install Wet Peninsula Dental Table.  
*Note: Refer to Table Installation Manual 003-1854-00.*

**Step 2:** Install VetPro™ 5000 Table Mount.  
*Note: Refer to VetPro™ 5000 Install Manual 003-2000-00.*



**Step 3:** Install VetPro™ Solo unit or Junction Box.  
*Note: Refer to Solo Installation Manual 003-1996-00, or Junction Box installation manual 003-1914-00.*