

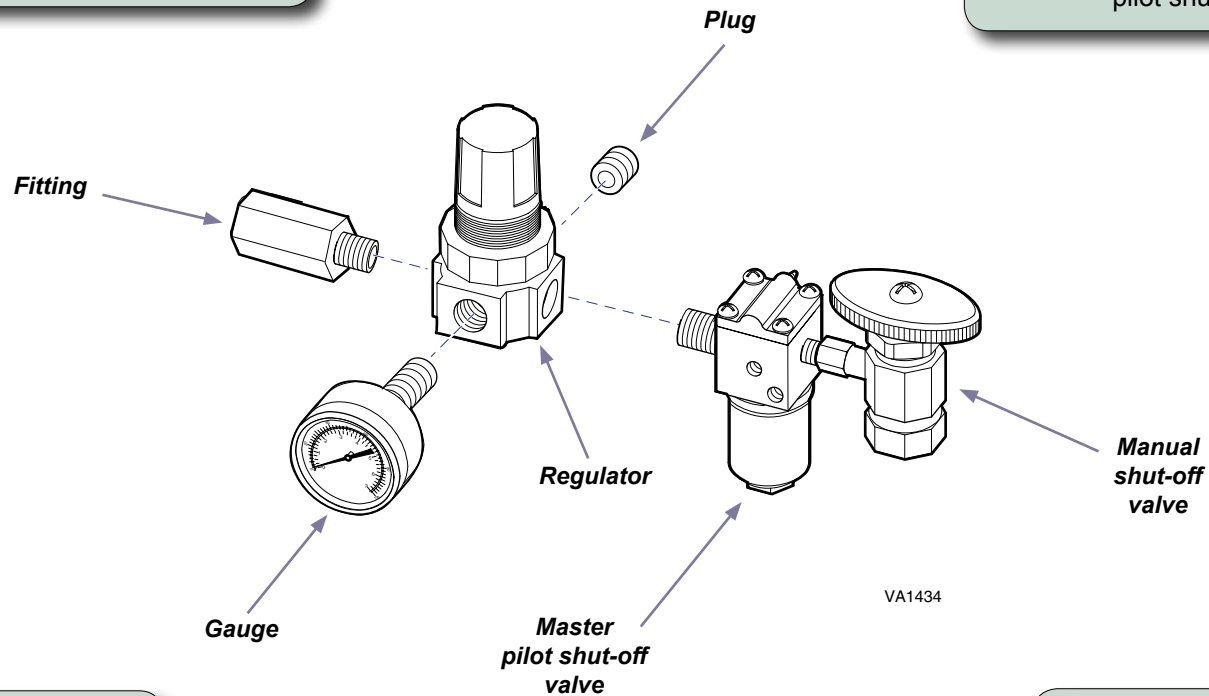
Water Regulator [002-1185-00]

Components:
Water Regulator 1

Special Tools:
none

Step 1: Turn air and water manual shut-off valves located in junction box OFF.

Step 3: Unscrew regulator from master pilot shut-off valve.

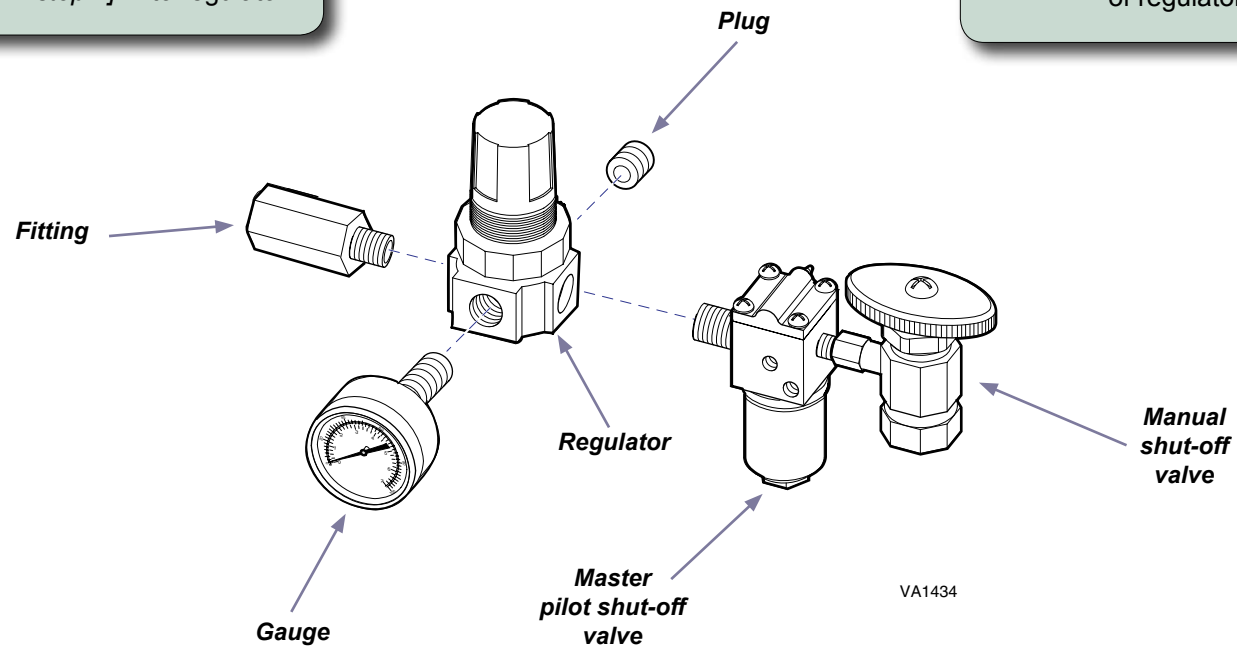


Step 2: Tag and disconnect any tubing connected to fittings of regulator.

Step 4: Remove gauge and any fittings or plugs from regulator.

Step 5: Install gauge and any fittings and plugs [removed in step 4] into regulator.

Step 7: Connect tubing to proper fittings of regulator.



Step 6: Apply removable loctite, then screw regulator onto fitting of master pilot shut-off valve.

Step 8: Turn air and water manual shut-off valves ON and check for proper operation.