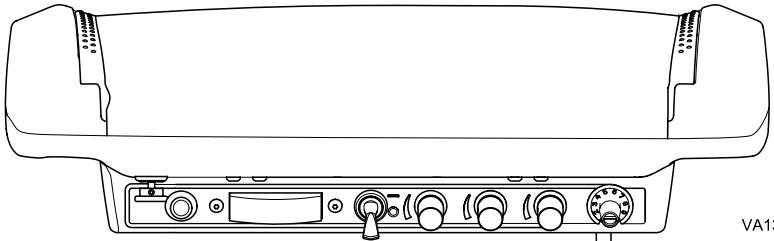




Water Selector Switch [002-1187-00]

Components:
Toggle Switch 1

Special Tools:
none



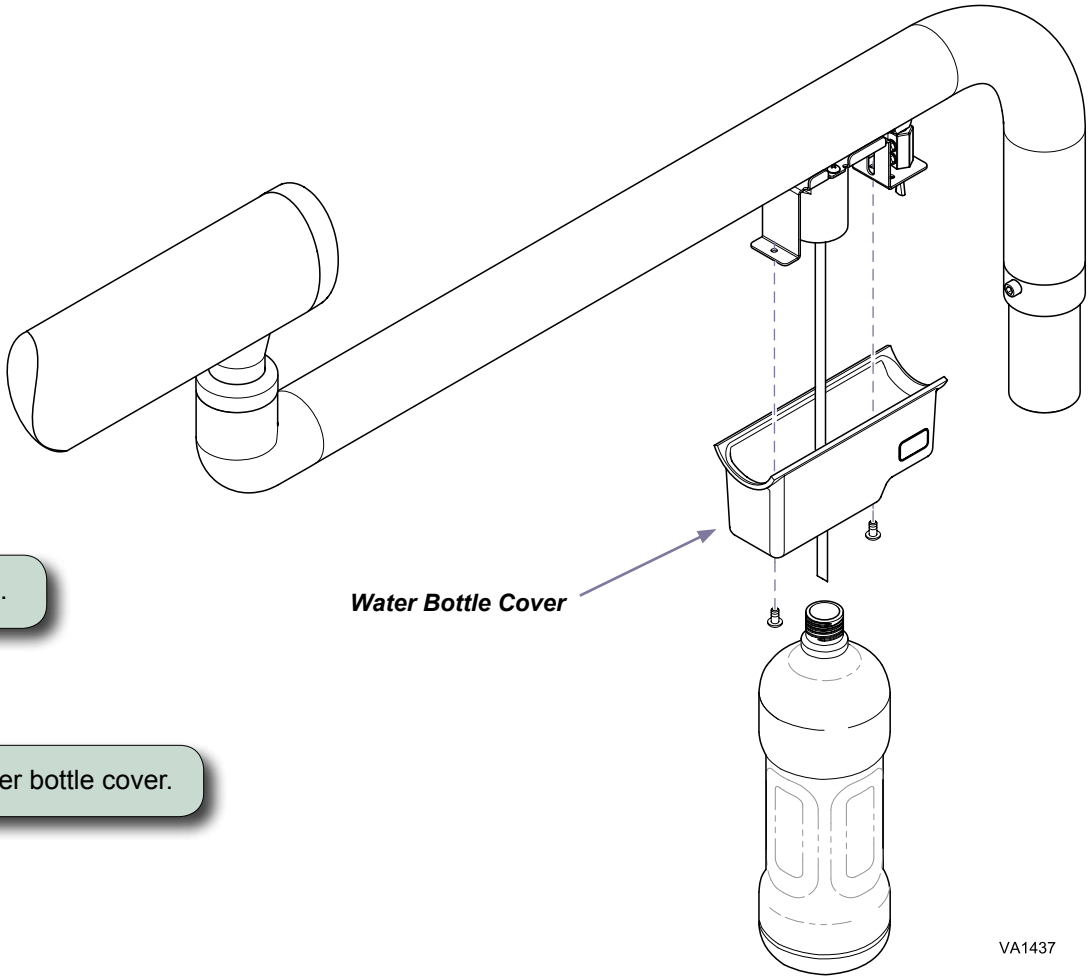
VA13:

Master Switch

Step 1: Turn unit master switch OFF.

Step 2: Unscrew and remove water bottle.

Step 3: Remove water bottle cover.



Water Bottle Cover

VA1437

Step 4: Remove two screws from bottle mount bracket.

Step 5: Tag and disconnect tubing from water selector switch.

Step 6: Remove mounting nut and water selector switch.

Step 7: Connect tubing to proper fittings of water selector switch.

Step 8: Insert water selector switch thru bottle mount bracket and secure with nut.

Step 9: Install bottle mount bracket, water bottle cover, and water bottle.

Step 10: Turn unit master switch ON and check for proper operation.

