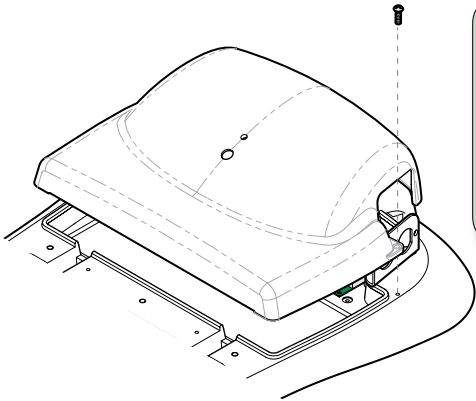


# Software Chip Replacement [002-1236-00]

- Components:**  
Software Chip ..... 1  
Extraction Tool ..... 1
- Special Tools:**  
none

**Equipment Alert**  
Use standard precautions when handling the software chip. Ground yourself (by touching the metal surface of the chair), before removing the chip from packaging.

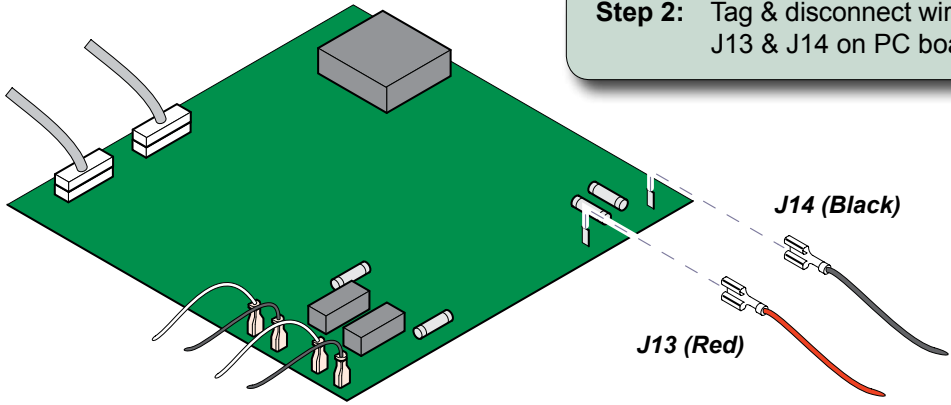
**Caution**  
Unplug power cord before removing PC board cover.



**Equipment Alert**  
You must perform Step 2 before cover can be completely removed.

**Step 1:** Remove two screws, then partially separate cover.

**Step 2:** Tag & disconnect wires from J13 & J14 on PC board.



MA7925i



### Equipment Alert

Be sure the hooks of the extraction tool are under the software chip, not the chip holder.

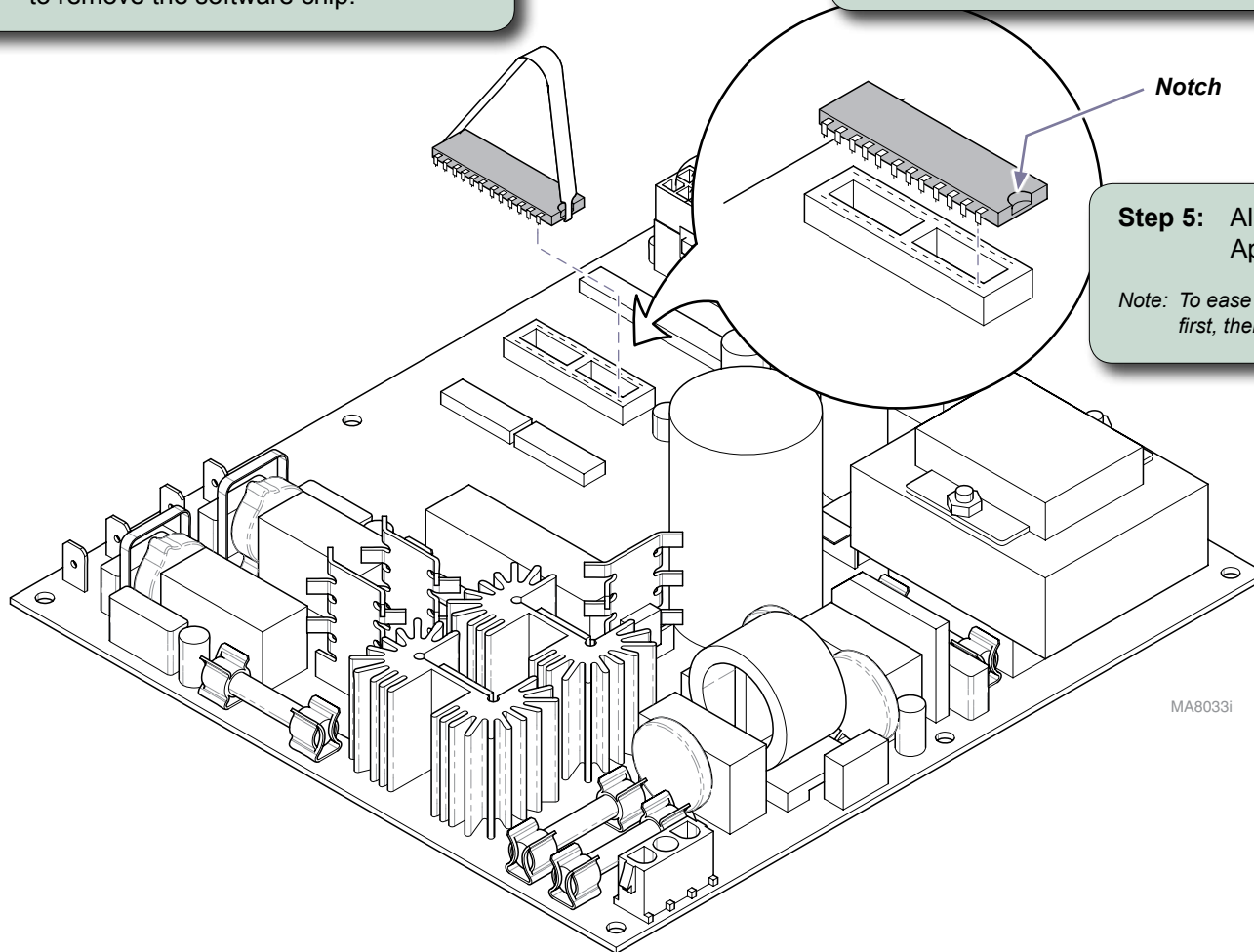
**Step 3:** Use the extraction tool (provided) to remove the software chip.



### Equipment Alert

Position the chip with the notch as shown. Incorrect orientation will cause the chair to malfunction.

**Step 4:** Position the new chip as shown.



**Step 5:** Align the pins on the chip with the socket. Apply gentle pressure to fully seat all pins.

*Note:* To ease installation, insert the pins on one side of the chip first, then guide the other side into the socket.