



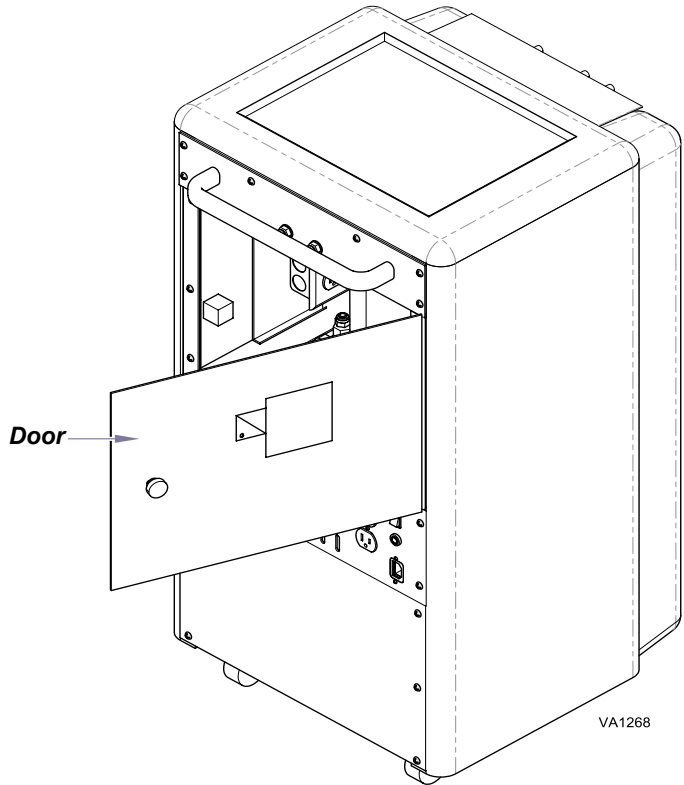
# Fiber Optic System Replacement Kit [#002-1237-00]

**Components:**

Power Supply .....	1
Voltage Stabilizer....	1
Tubing, 5 Hole .....	1
Bulb .....	1

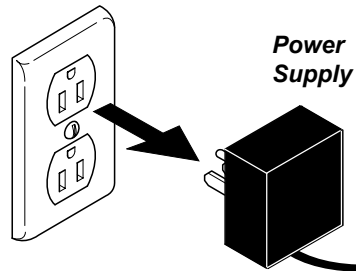
**Note**  
For use on all VetPro's thru Serial Number V933242.

**Step 1:** Turn unit off. Unplug cart from wall outlet.

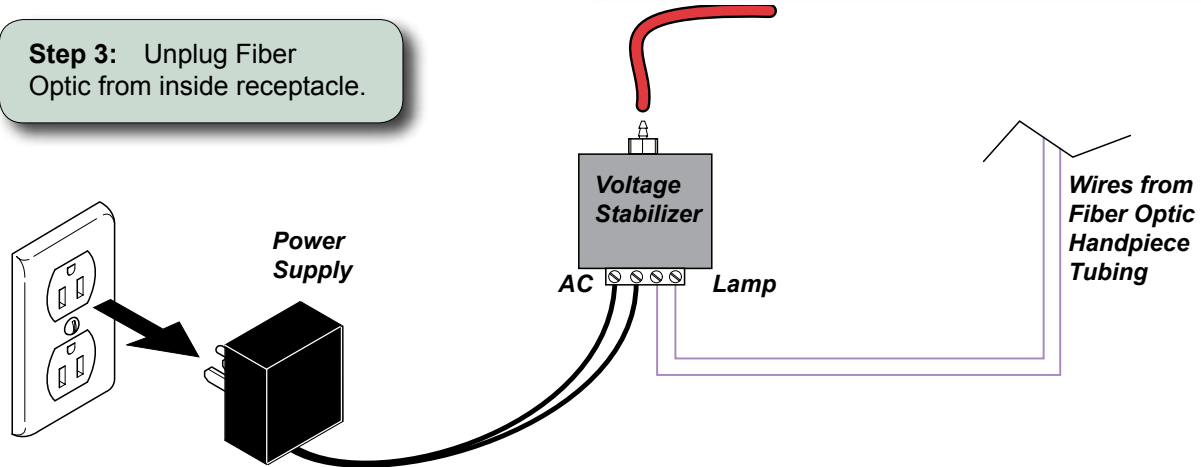


**Step 2:** Open door on back of cart.

**Step 3:** Unplug Fiber Optic from inside receptacle.



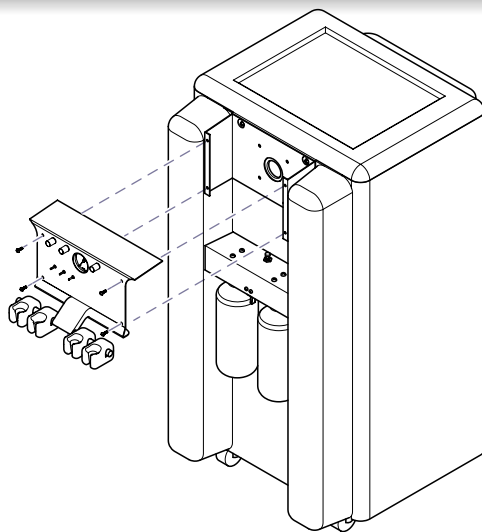
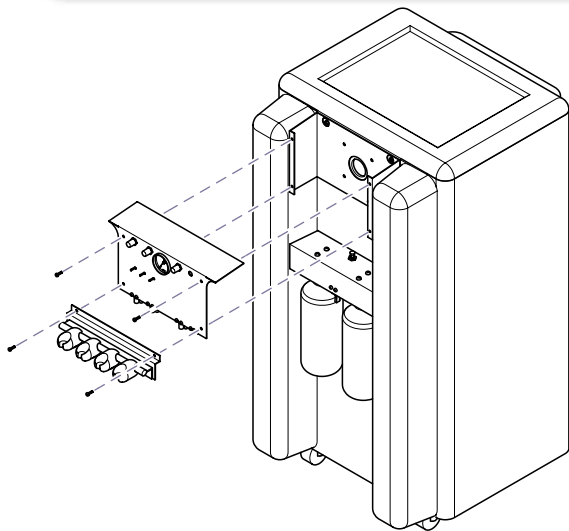
**Step 4:** Unscrew power supply and lamp wires from Fiber Optic Voltage Stabilizer. Disconnect the drive air supply line from Fiber Optic Voltage Stabilizer.



**Step 5:** Remove Voltage Stabilizer from cart.  
*Note: Voltage Stabilizer is mounted with double-sided tape.*

**Units with Serial Numbers beginning with TGCxxxxxx**

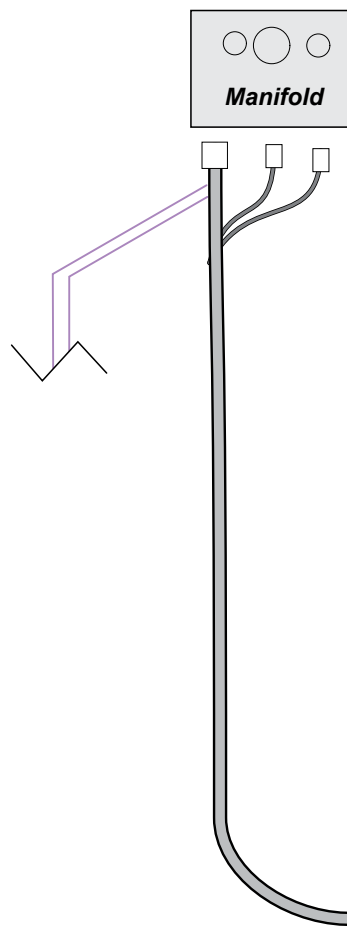
**Step 6:** Remove two screws from top of panel.  
Remove two screws from instrument holder panel.



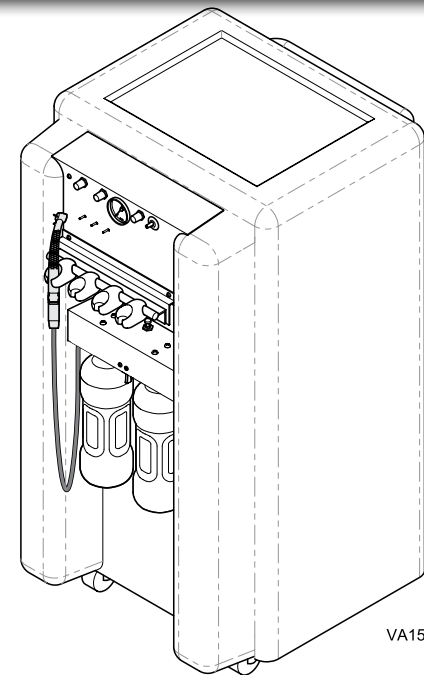
**Units with Serial Numbers beginning with Vxxxxxx**

**Step 6:** Remove four screws from top panel.

**Step 7:** Pry three tube connectors off bottom of manifold in tool one position.  
Remove old tubing, power supply and voltage stabilizer from cart.



**Step 8:** Install new tubing to manifold and feed through hole in cart to inside of cart.



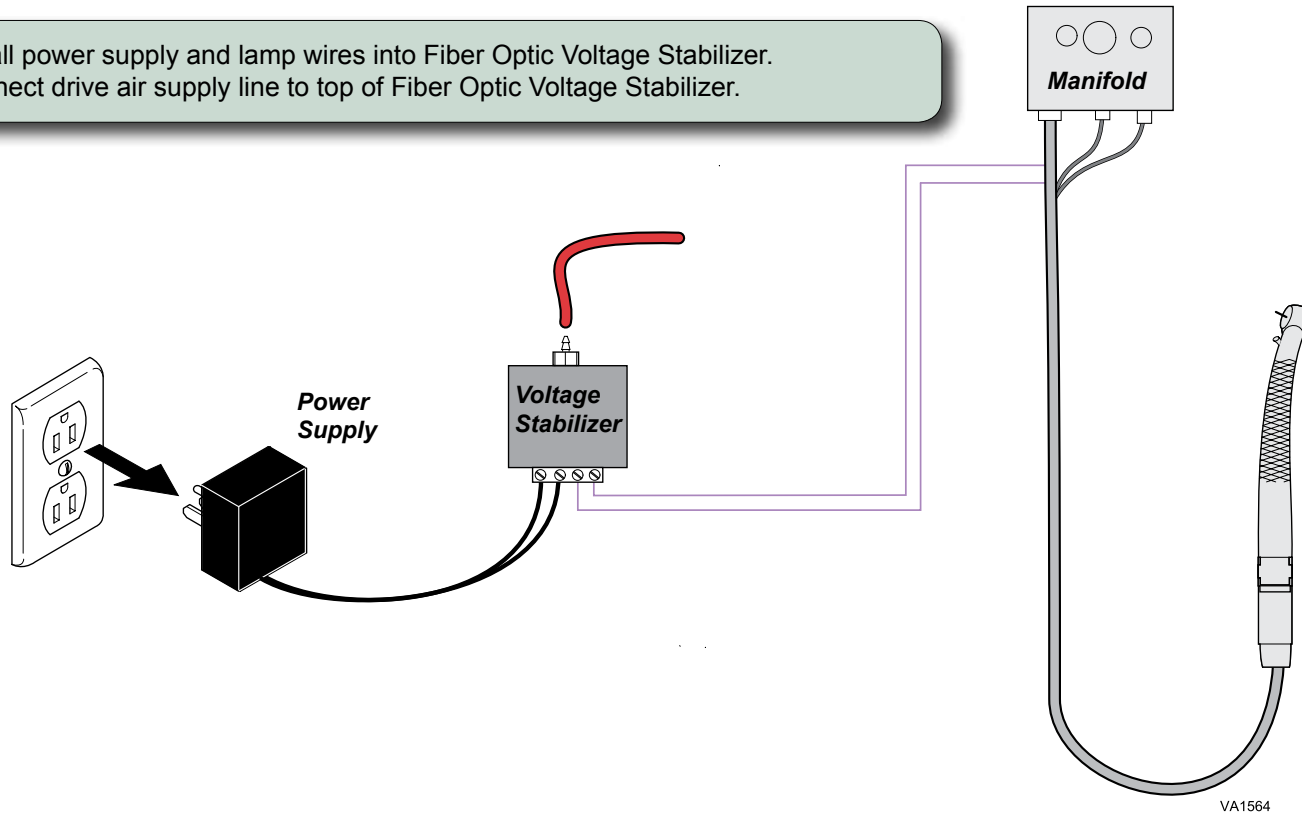
VA1563

**Step 9:** Reinstall instrument holder panel and top panel.  
Change bulb in Fiber Optic handpiece and hang on instrument holder.

**Step 10:** Mount Voltage Stabilizer to cart.

*Note: Voltage Stabilizer is mounted with double-sided tape.*

**Step 11:** Install power supply and lamp wires into Fiber Optic Voltage Stabilizer.  
Connect drive air supply line to top of Fiber Optic Voltage Stabilizer.



**Step 12:** Plug Fiber Optic into inside receptacle.

**Step 13:** Close door on back of cart.  
Plug cart from wall outlet. Turn unit on.