



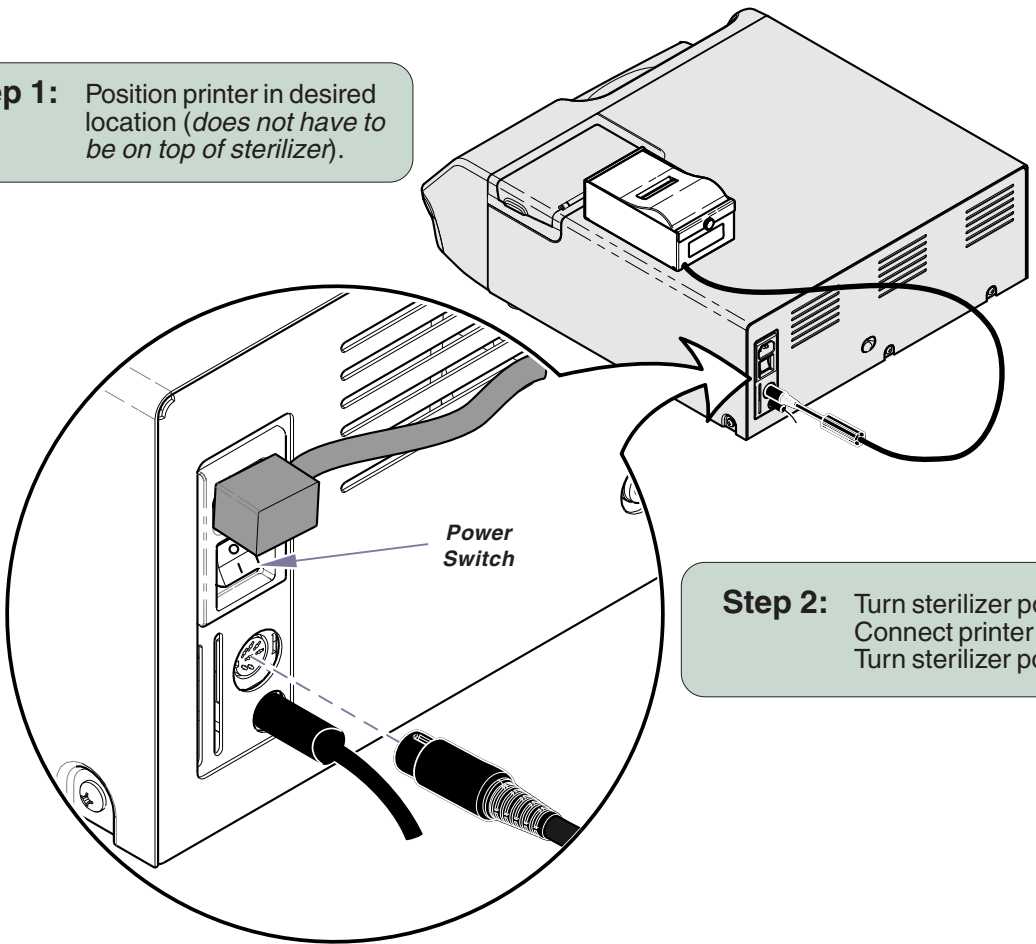
Printer Installation Sheet

[9A40100x]

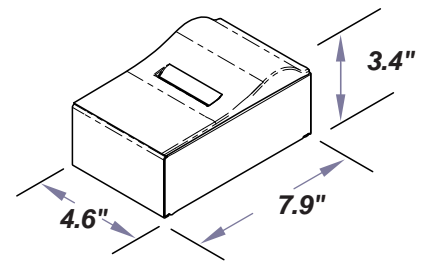
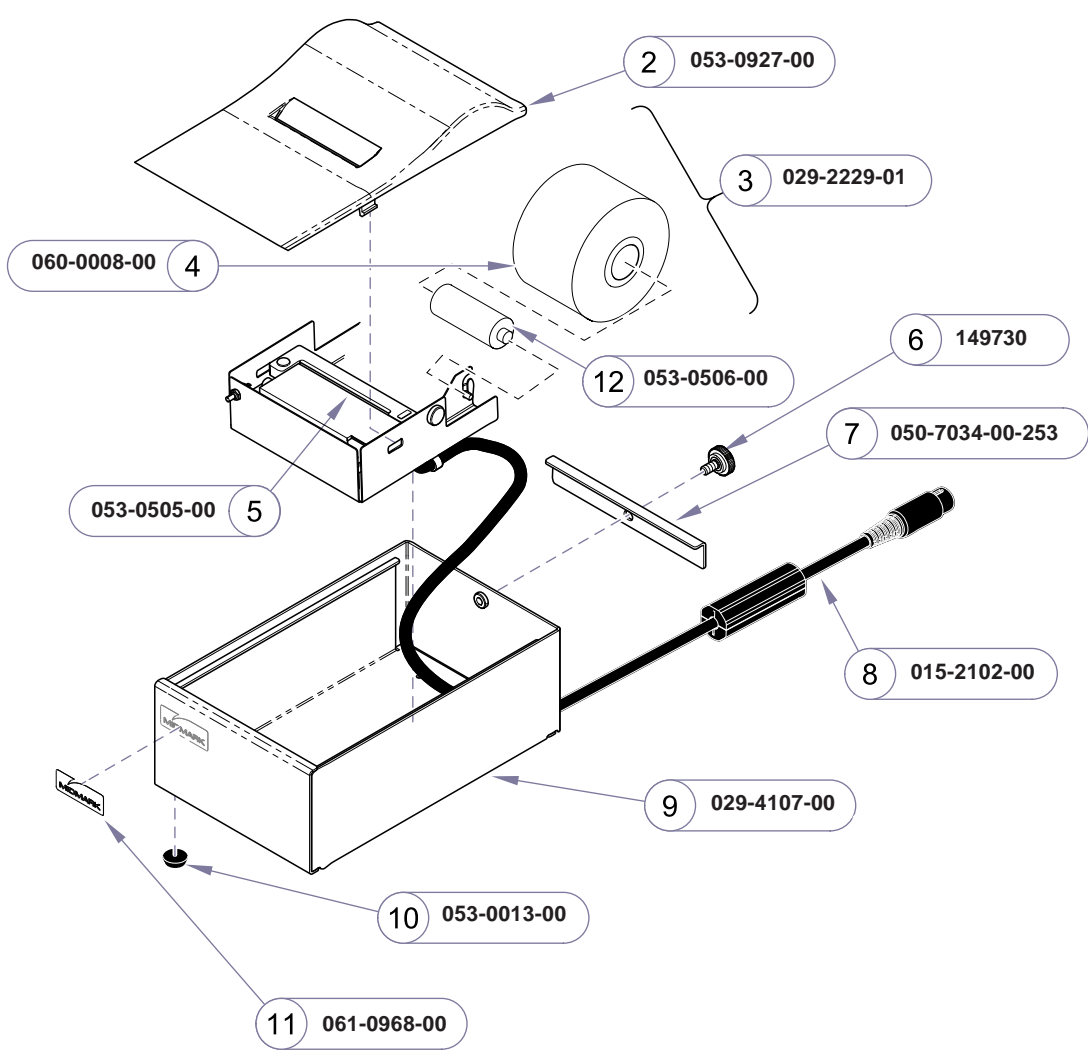
Components:	
Printer	1
Special Tools:	
none	

Intended Use:
To provide a print of sterilizer cycle information and data.

Step 1: Position printer in desired location (does not have to be on top of sterilizer).



Step 2: Turn sterilizer power switch OFF (O). Connect printer harness as shown. Turn sterilizer power switch ON (I).



1 9A401001

SA109600i

Item	Description	Qty.
1	M3 Printer Accessory (includes items 2 thru 11)	1
2	• Printer Cover Plate	1
3	• M3 Printer Assembly (includes items 2, 4, 5, and 12)	1
4	• Paper Roll (2 1/4")	1
5	• Printer Cartridge	1
6	• Thumbscrew Assembly (#10-32 x 3/8") ..	1
7	• M3 Printer Lock Bracket	1
8	• M3 Printer I/O Harness (refer to "Wiring Diagram" in "Section D" for connection information)	1
9	• M3 Printer Enclosure Assembly	1
10	• Self Adhesive Bumper (1/2" x 9/64")	4
11	• Midmark Small Logo Label	1
12	• Spindle	1

Serial Numbers / Dates: all