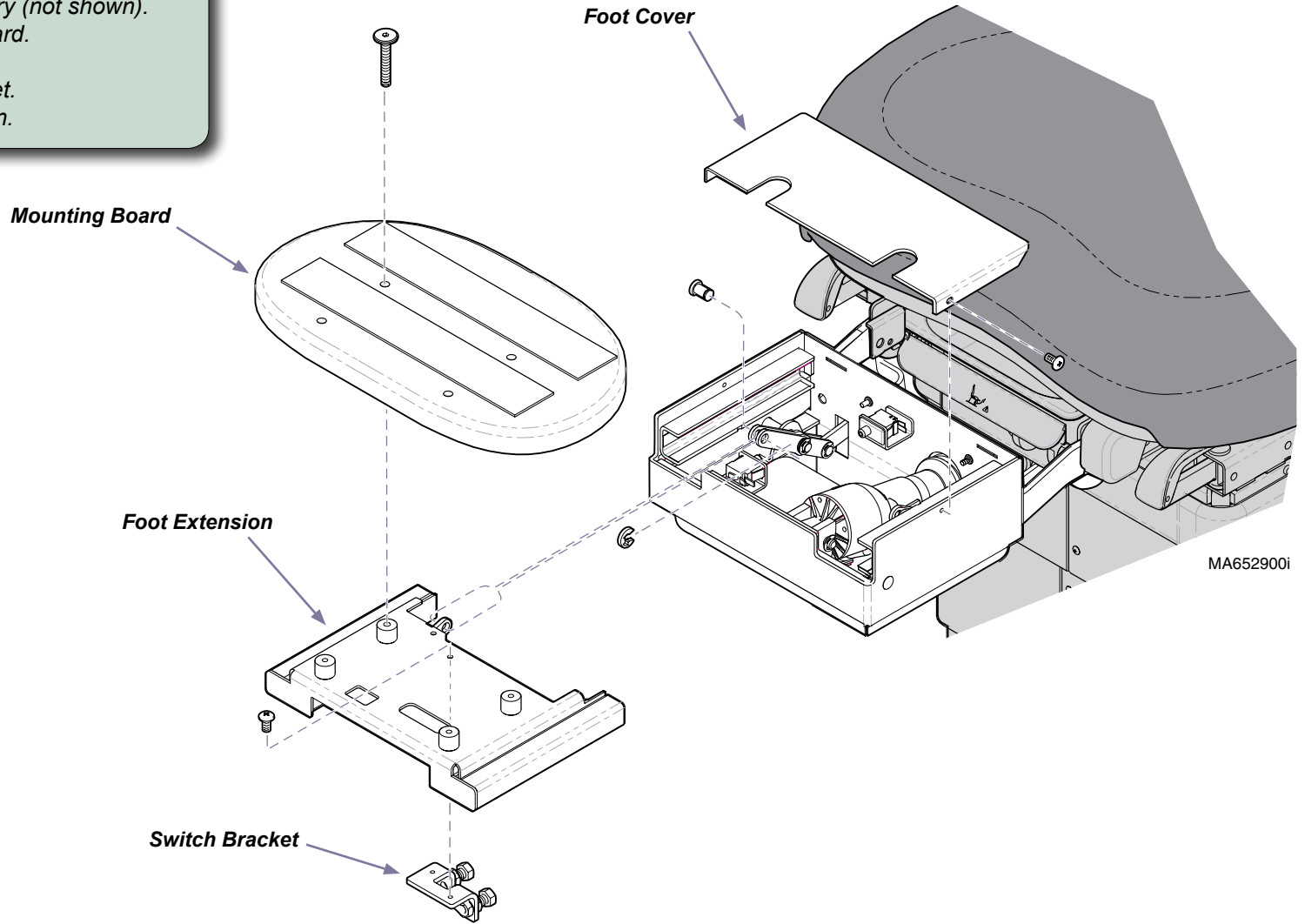


Foot Section Assembly Kit [002-1198-00]

Components:
Foot Section Assy... 1

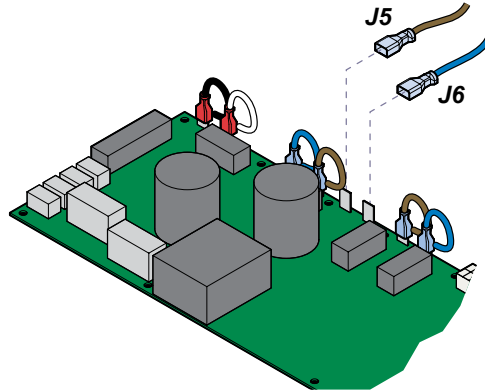
Special Tools:
none

- Step 1: Remove foot section covers.**
- A) Remove foot upholstery (not shown).
 - B) Remove mounting board.
 - C) Remove foot cover.
 - D) Remove switch bracket.
 - E) Remove foot extension.

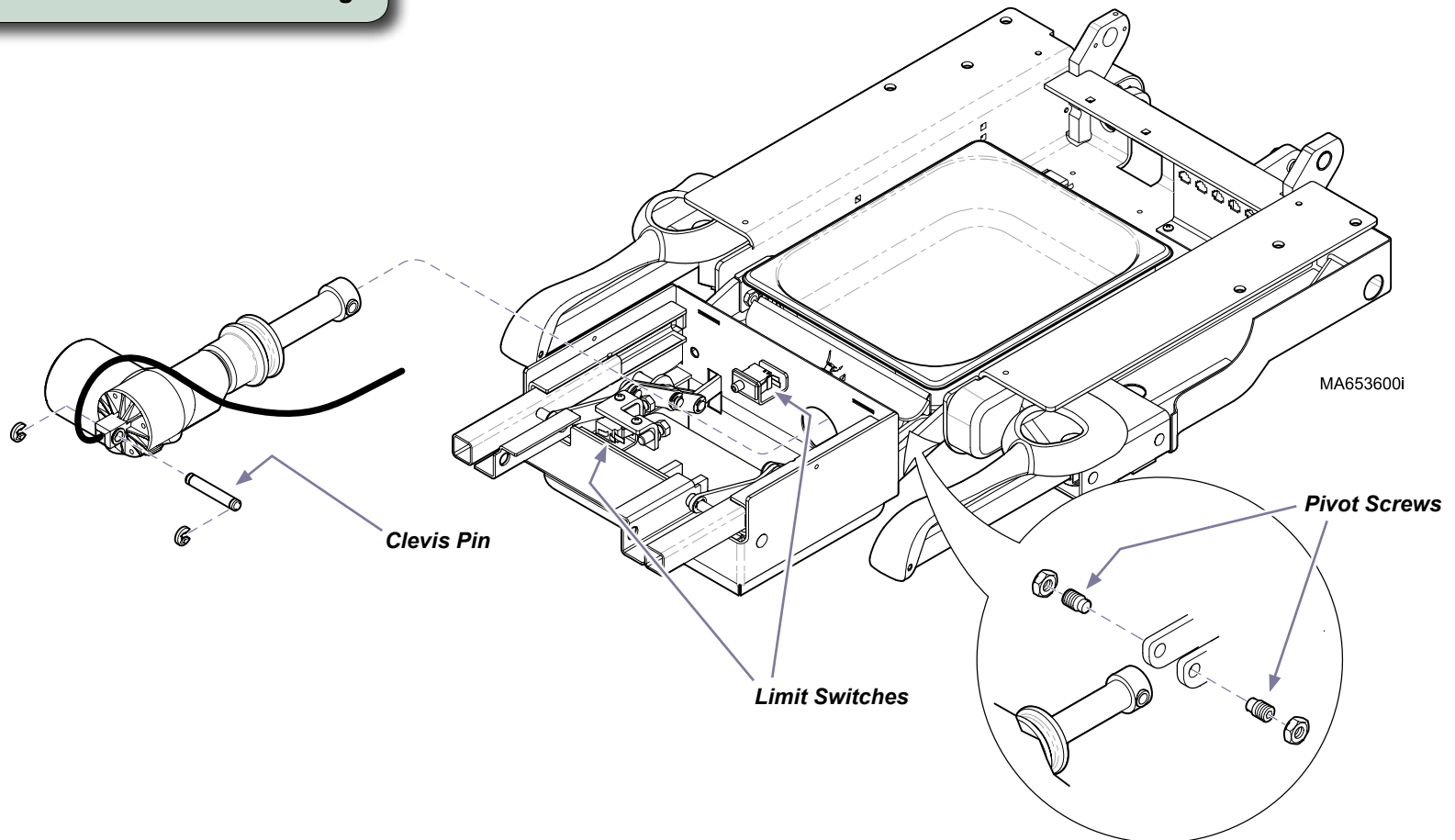


Step 2: Remove foot actuator.

- A) Disconnect foot actuator wires from PC board.
- B) Pull foot actuator wires up thru table.
- B) Remove jam nuts and pivot screws.
- C) Remove clevis pin and actuator.

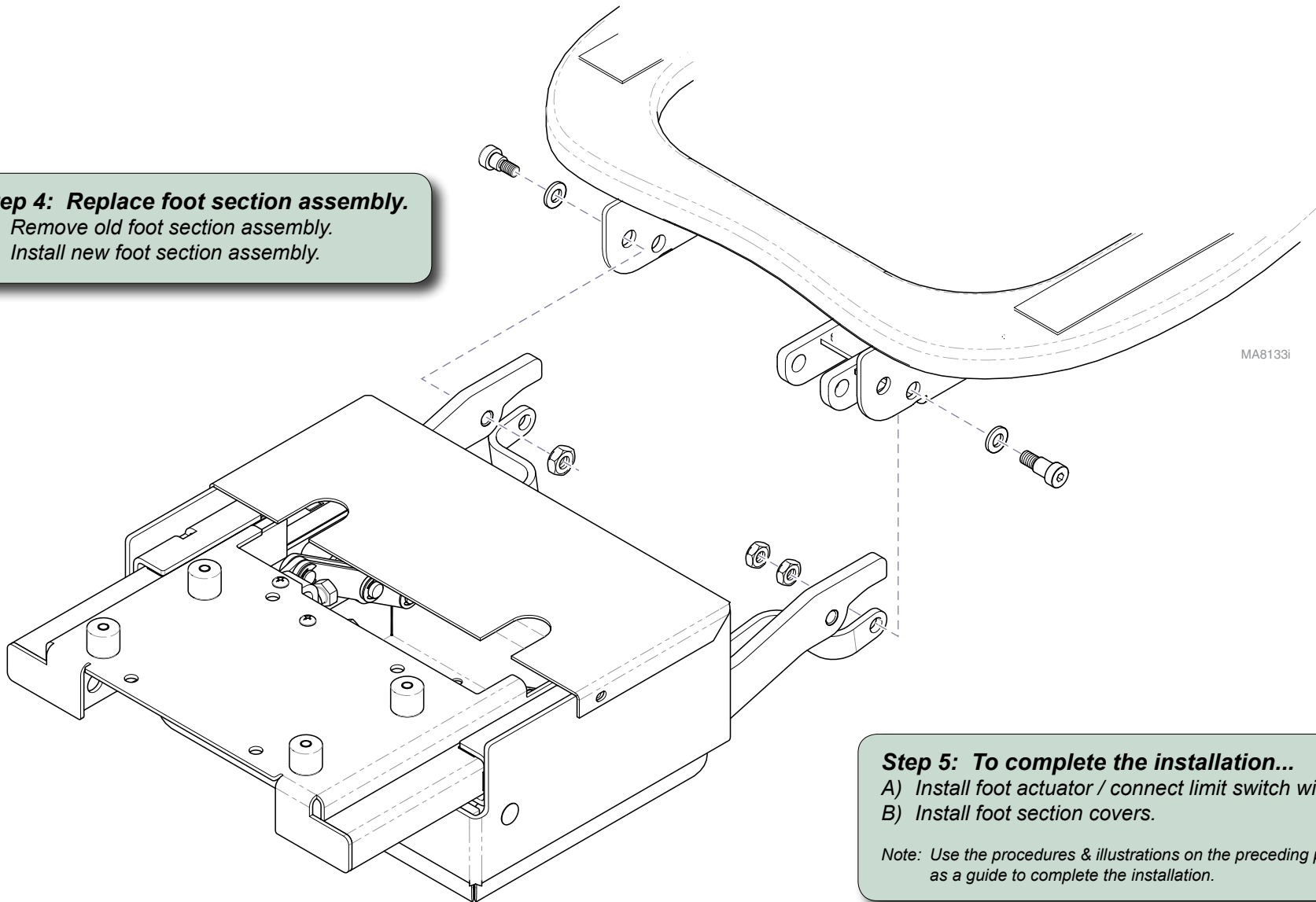


Step 3: Disconnect limit switch wiring.



Step 4: Replace foot section assembly.

- A) Remove old foot section assembly.
- B) Install new foot section assembly.



Step 5: To complete the installation...

- A) Install foot actuator / connect limit switch wiring.
- B) Install foot section covers.

Note: Use the procedures & illustrations on the preceding pages as a guide to complete the installation.