

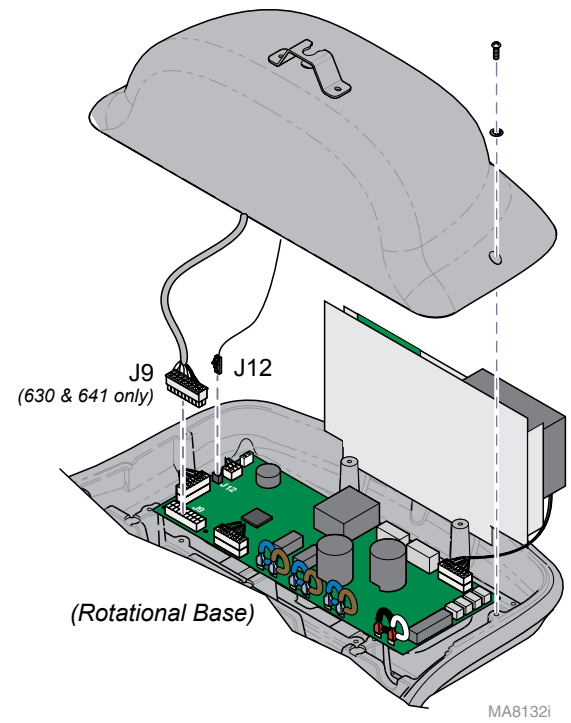
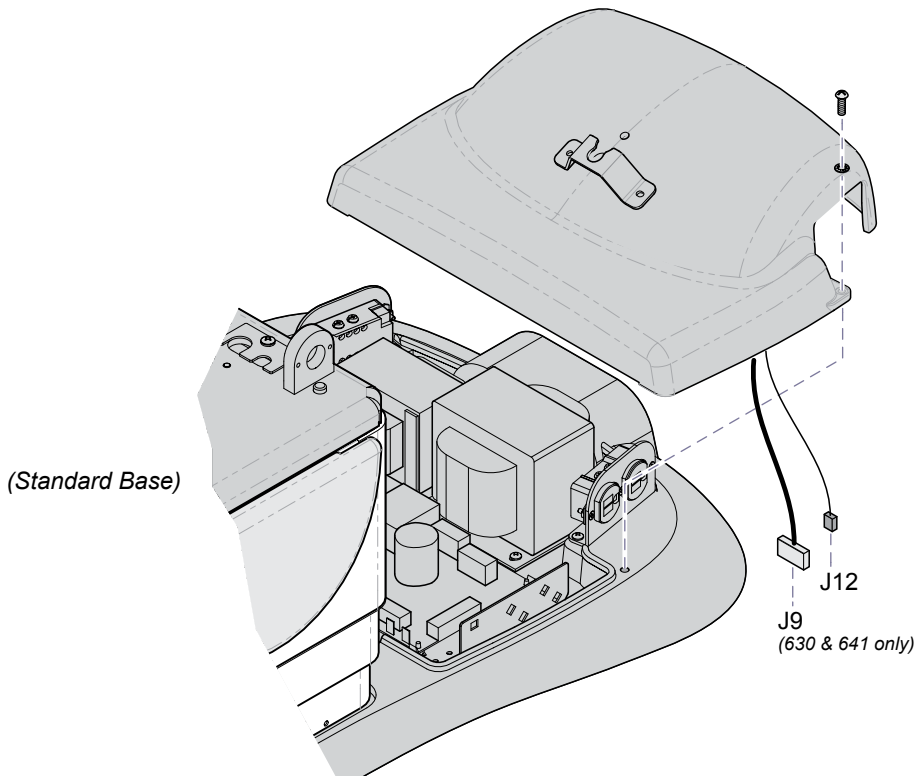
# Wireless Basestation Replacement Kit [002-1280-0x]

**Components:**  
Basestation PC Board ..... 1

**Special Tools:**  
none

**Caution**  
Always disconnect power to chair before removing covers or performing any service procedure.

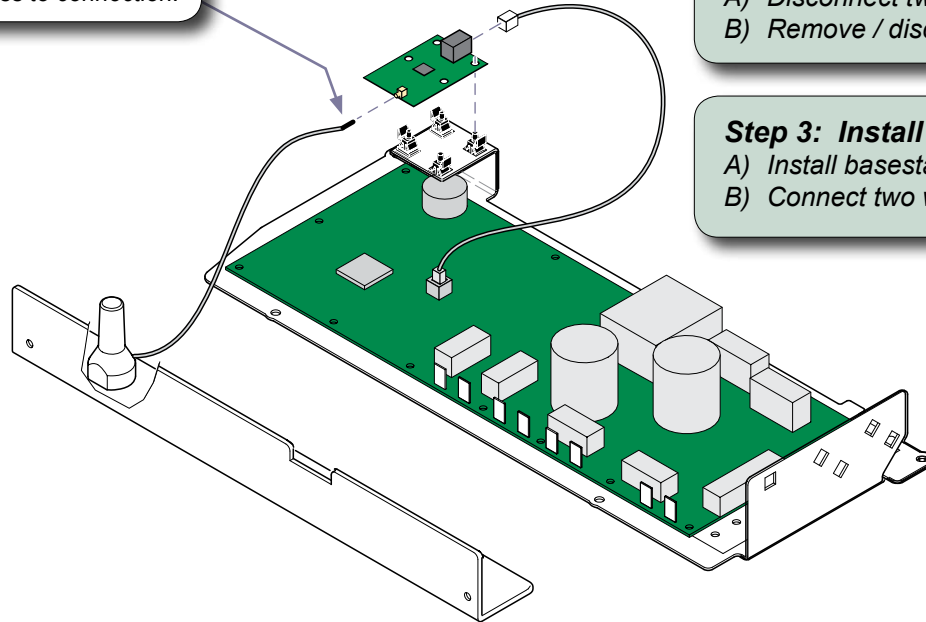
**Step 1: Remove PC board cover.**  
A) Remove two screws, then **partially** separate cover.  
B) Disconnect indicated wire harness(es)\* from PC board.  
    \* Models 630 & 641: J9 & J12  
    Models 647: J12 only  
C) Remove PC board cover.





**Equipment Alert**

Antenna connection is very delicate.  
Do not kink wire or apply stress to connection.



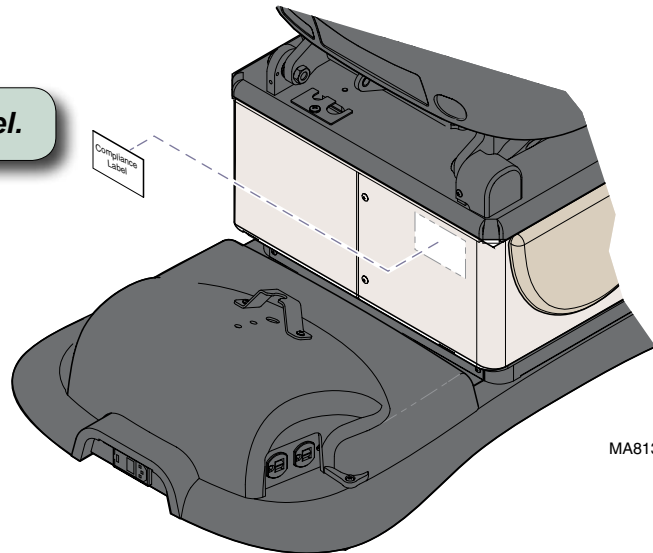
**Step 2: Remove old basestation.**

- A) Disconnect two wire harnesses from basestation.
- B) Remove / discard old basestation.

**Step 3: Install new basestation.**

- A) Install basestation onto standoffs as shown.
- B) Connect two wire harnesses to basestation.

**Step 4: Apply compliance label.**



**Step 5: Install PC board cover.**

- A) Secure wire connection(s), then install PC board cover.

**Step 6: Perform 'Association Procedure'.**

[refer to following page for details]

Note: The chair's PC board only stores the last two associated controllers.

## Models: 630 & 641

### **Association Procedure:**

A) Using the **wired** hand or foot control, press & hold the **Stop & Home** buttons simultaneously.  
(After two seconds, you will hear a single “beep”)

B\*) Using the **wireless** foot control, press & hold the **Stop & Home** buttons until you hear three “beeps”.

\* Note: Step B must be performed within 3 seconds of Step A.

C) Check for proper operation of wireless foot control.

D) Repeat procedure for wireless hand control.



## Model: 647

### **Association Procedure:**

A) Using the **wired** foot control, press & hold the **Stop & QuickChair** buttons simultaneously.  
(After two seconds, you will hear a single “beep”)

B\*) Using the **wireless** foot control, press & hold the **Stop & QuickChair** buttons until you hear three “beeps”.

\* Note: Step B must be performed within 3 seconds of Step A.

C) Check for proper operation of wireless foot control.

