



Solenoid Replacement For Midmark ClassicSeries® & PowerAir® Compressors

Components:

Solenoid.....1
Wire Diagram Label.1

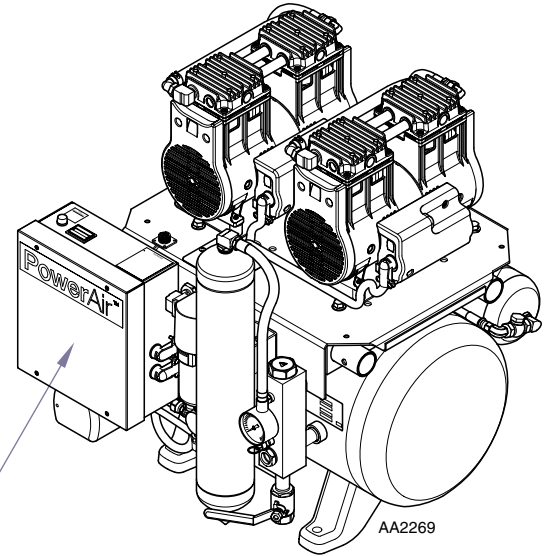
Note

Earlier built units will take the same solenoid as present day built units, but earlier units did not have a ground wire. Install ground wire for new solenoid on all units. For SN breaks refer to Midmark Compressor Service Manual (10540900) on www.Midmark.com

To install Solenoid...

- A) Turn compressor power off.
- B) Remove electrical box cover.
- C) Replace solenoid.
- D) Install ground wire on ground stud in electrical box.
- E) Install new wire diagram label over old one inside cover of electrical box.

Note: Refer to new wire diagram label.



Electrical Box