



Welch-Allyn Light Bracket [9A463, 9A631]

Contents:
 Installation 1
 Exploded View x

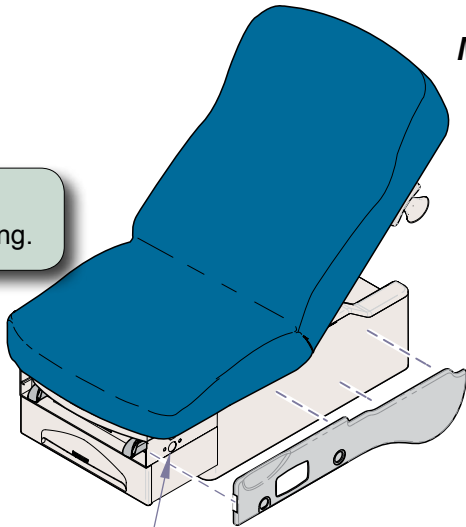
Special Tools:
 none

Intended Use:
 To mount a Welch-Allyn 44410 or 48810 light to Ritter / Midmark models:
 204 / 604 / 222 / 223 / 622 / 623 / 625

Models: 204 / 222 / 223
 Go to page 2.

Models: 604 / 622 / 623 / 625
 Step 1: Remove side cladding.

Models: 622 / 623



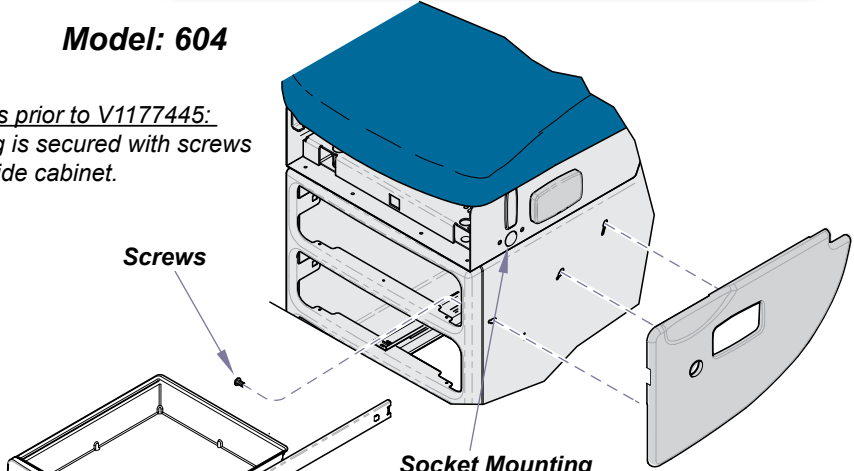
Socket Mounting Location

622 / 623 cladding is magnetic. Pull outward to remove.

Note
 The cladding on 604 models with serial numbers Vxxxxxx thru present is magnetic. It is **not** necessary to remove drawers / screws.

Model: 604

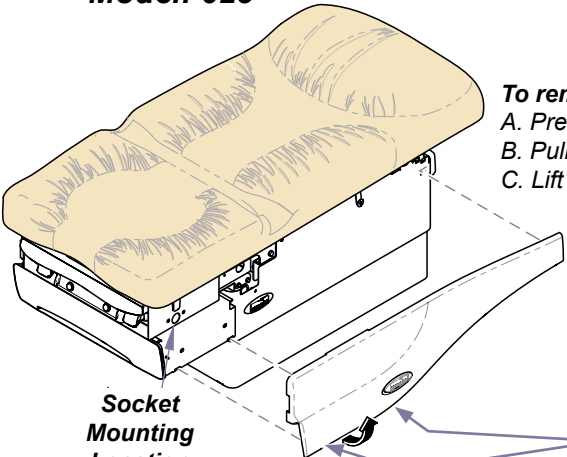
Serial #'s prior to V1177445: Cladding is secured with screws from inside cabinet.



Screws

Socket Mounting Location

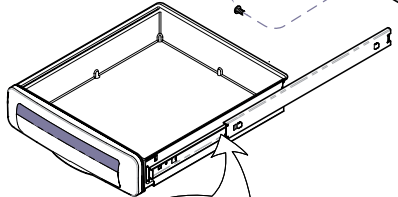
Model: 625



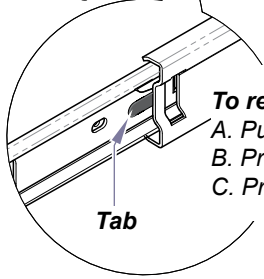
Socket Mounting Location

Tabs

To remove 625 cladding:
 A. Press two tabs.
 B. Pull bottom of cladding away from table.
 C. Lift cladding up to remove.

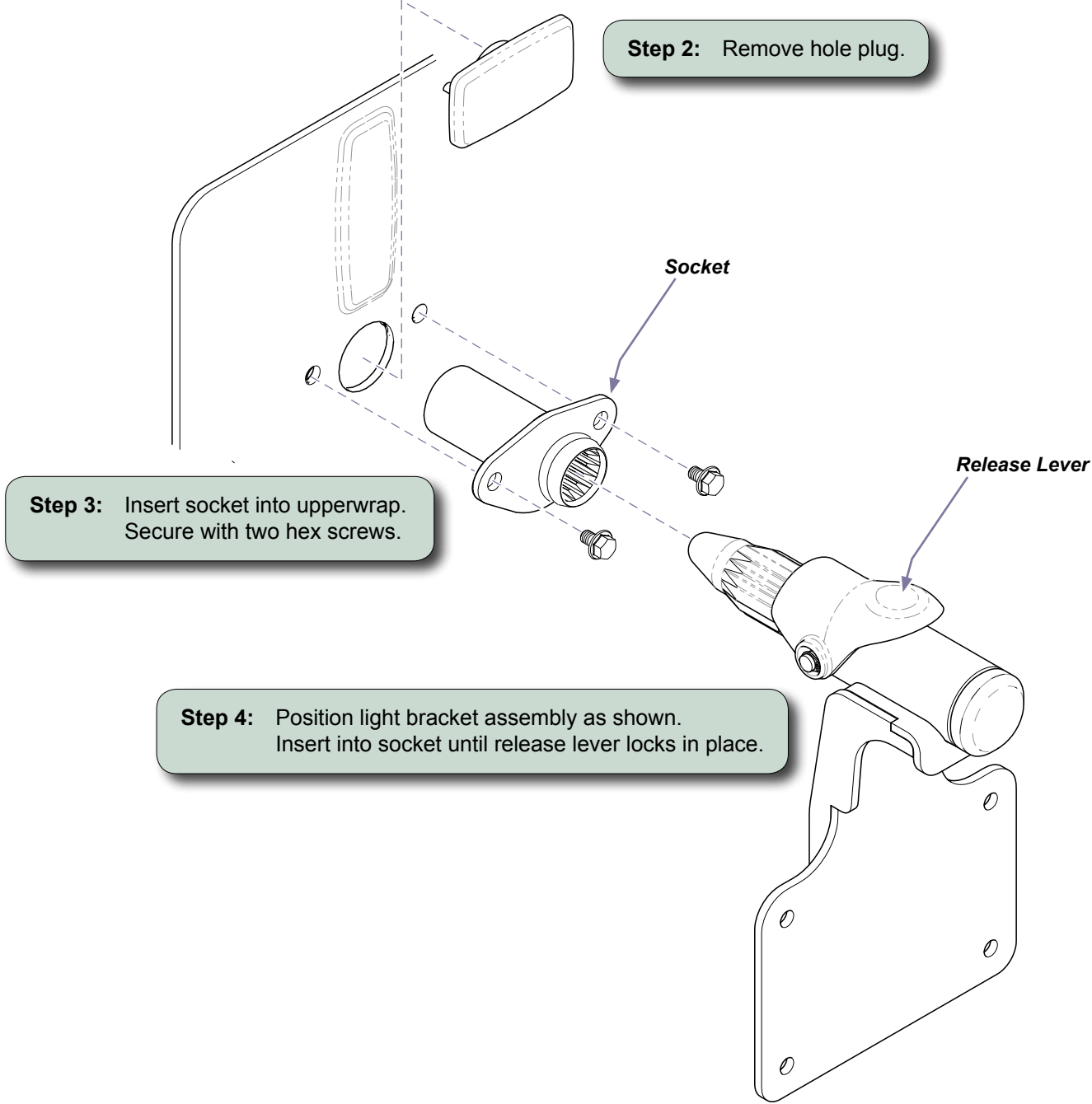


To remove top drawer:
 A. Pull drawer out.
 B. Press tab on RH slide DOWN.
 C. Press tab on LH slide UP.

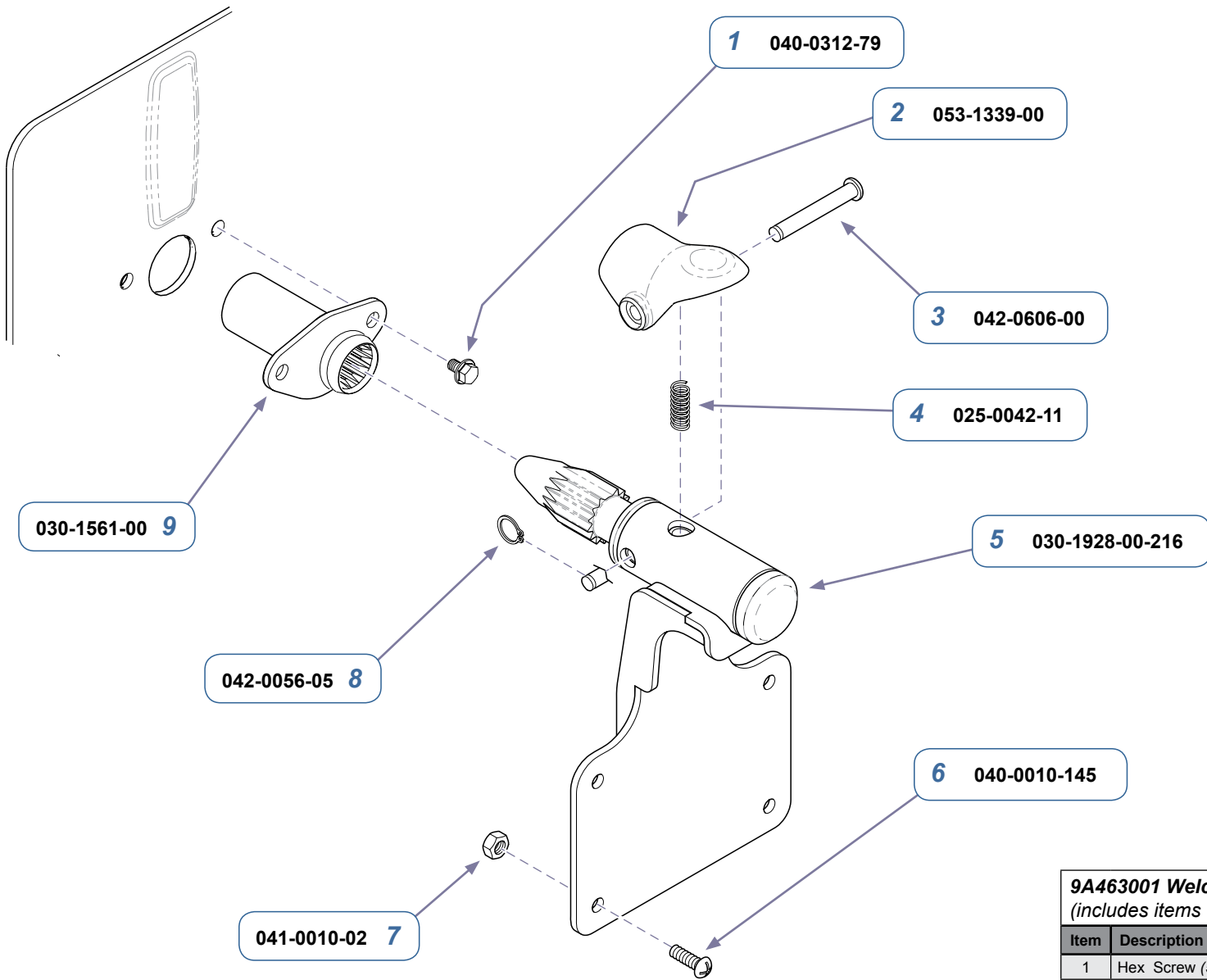


Tab

MA8061-1i



MA7806i

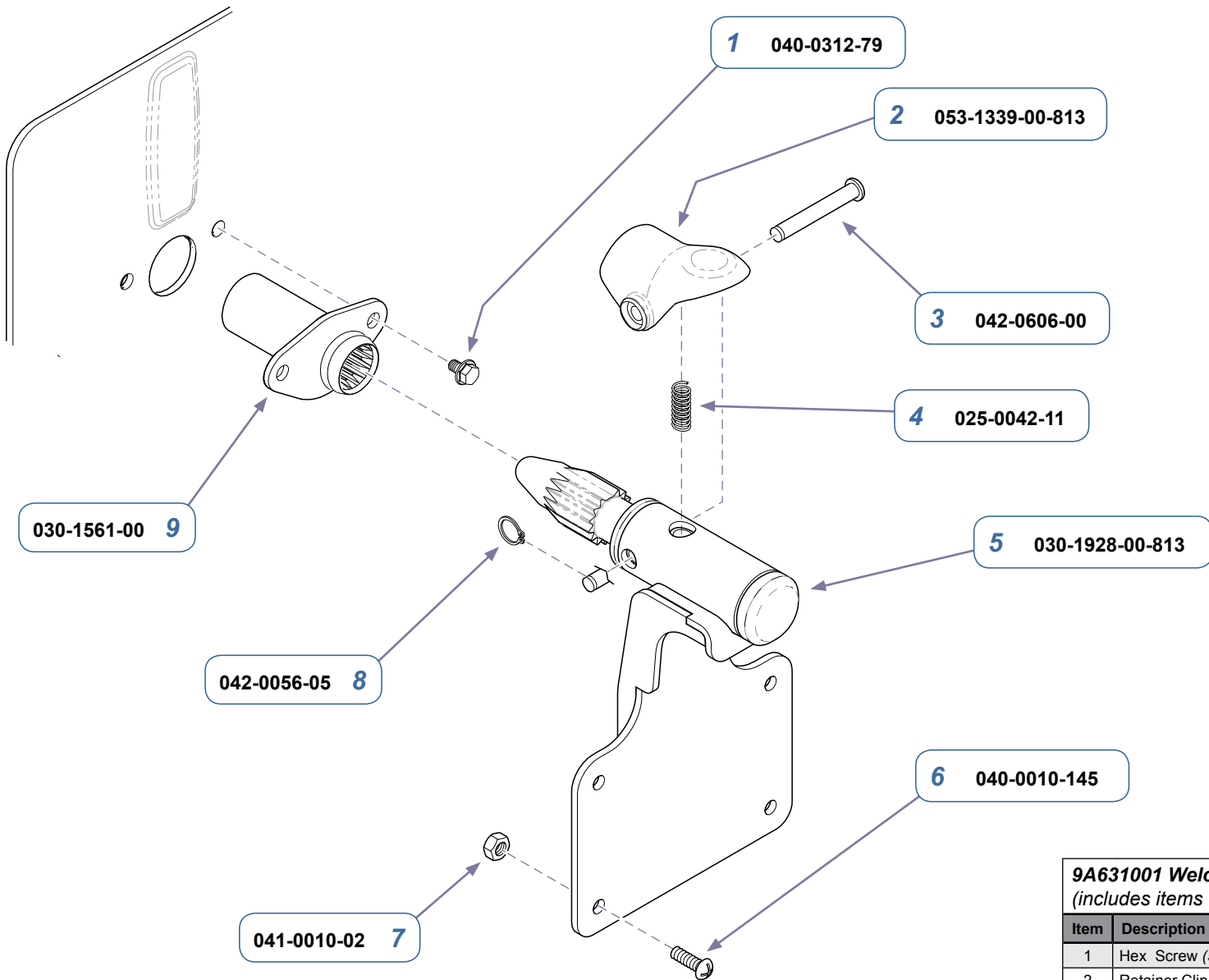


9A463001 Welch-Allyn Light Bracket
(includes items 1 thru 9)

Item	Description	Qty.
1	Hex Screw (5/16"-18 x 3/4")	2
2	Retainer Clip	1
3	Clevis Pin	1
4	Compression Spring	1
5	Light Bracket Weldment	1
6	Screw (#10-24 x 12")	4
7	Hex Nut (#10-24)	4
8	Retainer Ring	1
9	Spline Weldment	1

Serial Numbers / Dates:	9A463 All

MA8180i



9A631001 Welch-Allyn Light Bracket
(includes items 1 thru 9)

Item	Description	Qty.
1	Hex Screw (5/16"-18 x 3/4")	2
2	Retainer Clip	1
3	Clevis Pin	1
4	Compression Spring	1
5	Light Bracket Weldment	1
6	Screw (#10-24 x 12")	4
7	Hex Nut (#10-24)	4
8	Retainer Ring	1
9	Spline Weldment	1

Serial Numbers / Dates:	9A631 All	
--------------------------------	--------------	--