



Rail Mount System [9A457, 9A622]

Compatible with:
Ritter 253 Exam Light

Intended Use:

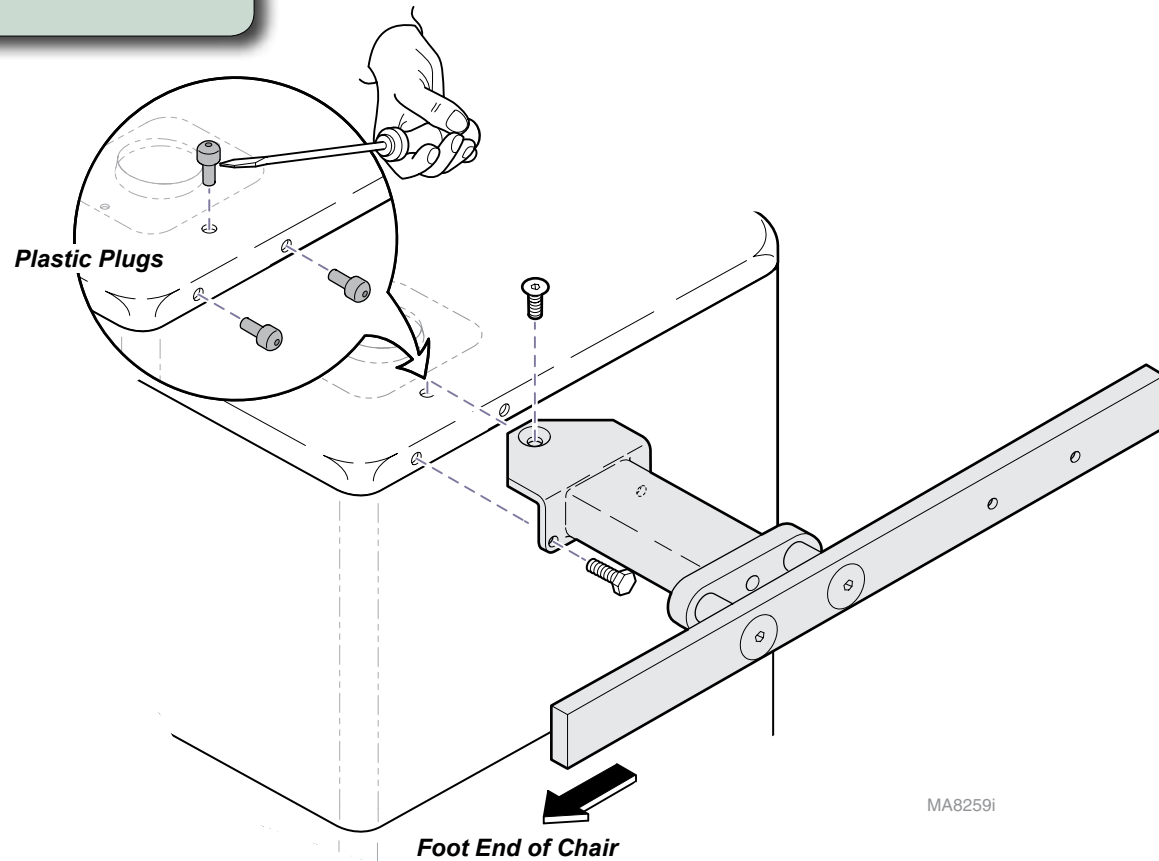
To mount Ritter 253 exam light to chair base rail.

Restrictions:

Cannot be mounted on same side as 9A328 Chair Arm, or 9A227 Seat Rail.

Step 1: Install base rails.

- A) Move all chair functions to full UP position.
- B) Remove plastic plugs from mounting holes.
- C) Position LH base rail as shown, then secure with three screws.
- D) Repeat for RH base rail.

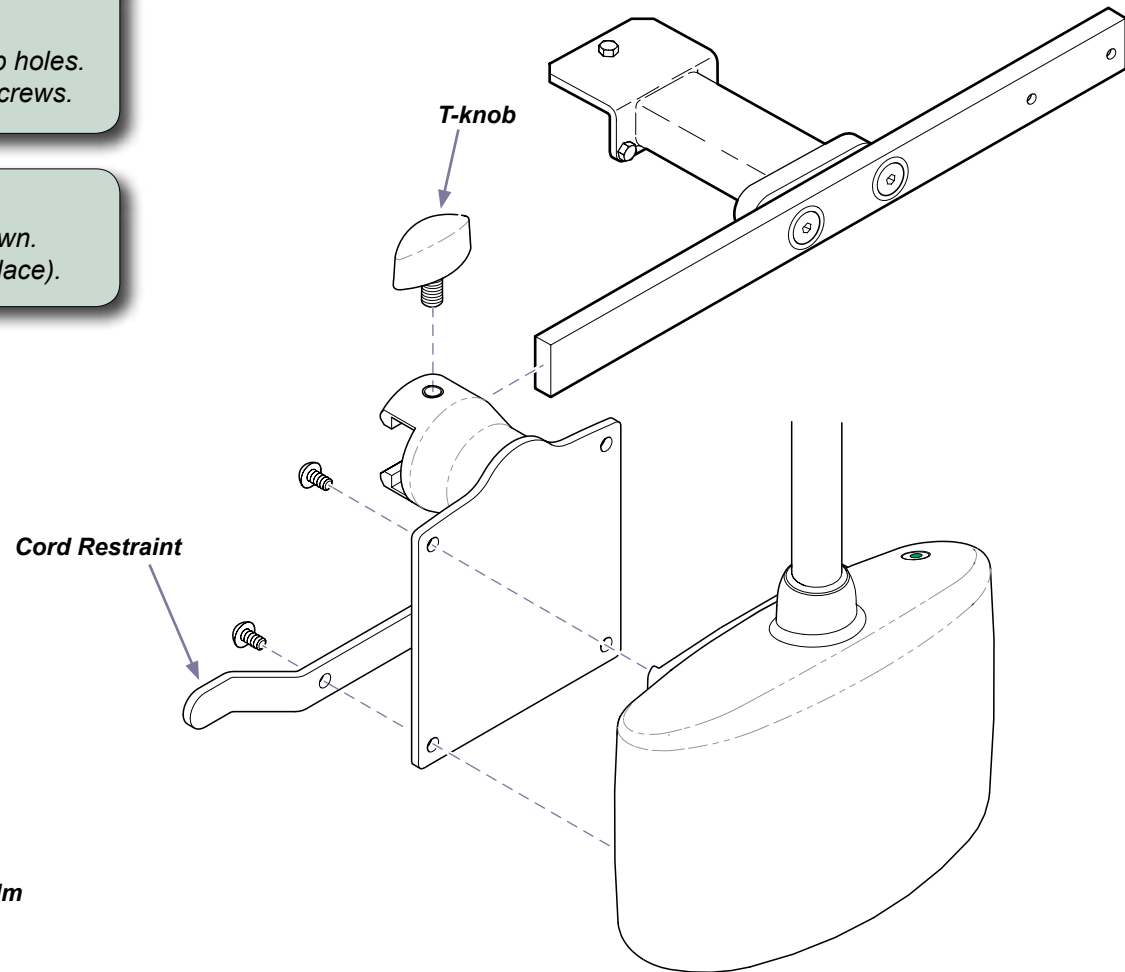


Step 2: Install light & cord restraint.

- A) Align light with holes in mounting plate.
- B) Secure light by installing two screws thru the top holes.
- C) Position cord restraint, then install two bottom screws.

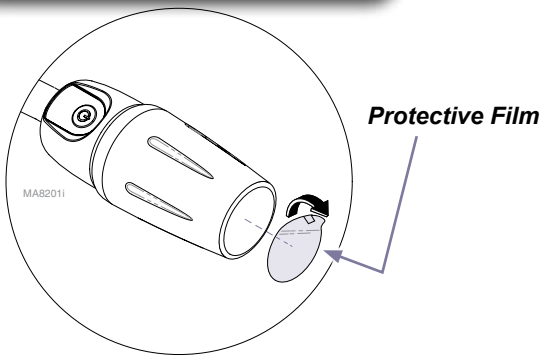
Step 3: Install rail mount assembly.

- A) Slide rail mount weldment onto base rail as shown.
- B) Install T-knob. (Tighten to secure weldment in place).



Before using light:

Remove protective film from lens.



MA8190i