

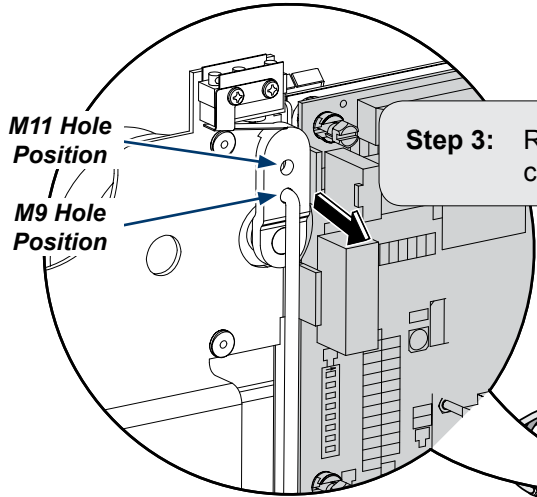
Door Motor Assembly [002-0790-0x]

Components:
Door Motor Assy. 1

Special Tools:
none

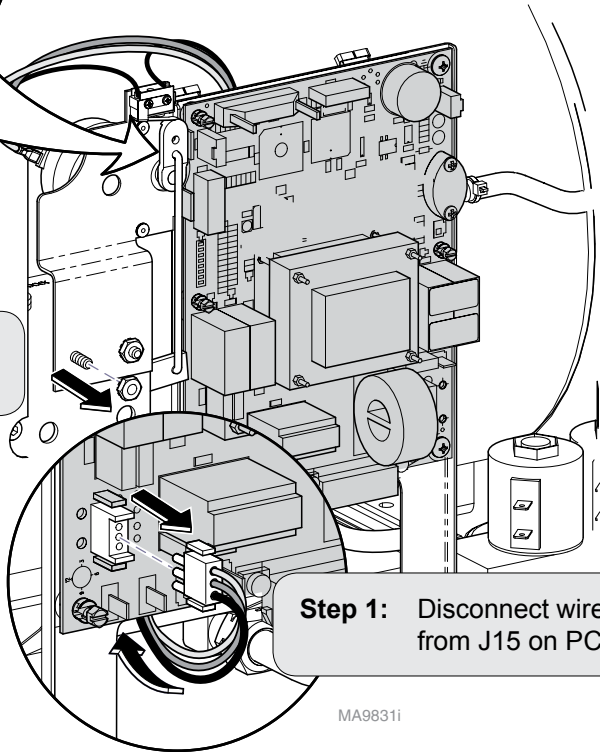
WARNING
To prevent risk of shock always disconnect power before removing covers or performing any service procedure.

Note
Main PC Board may look different depending on model. Installation of the Door Motor Assembly remains the same.

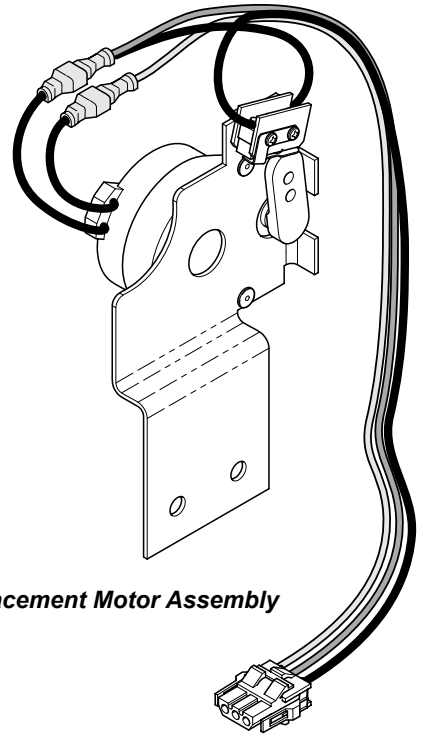


Step 3: Remove motor assembly from connector rod.

Step 2: Remove two mounting nuts and door motor assembly.



Step 1: Disconnect wire harness from J15 on PC board.



Replacement Motor Assembly

MA9831i



Equipment Alert

Connector rod must be inserted into proper hole in door motor cam.



Equipment Alert

Do not manually rotate door motor cam.

M11 Motor Cam
Hole Position

M9 Motor Cam
Hole Position

Step 4: Insert connector rod into appropriate hole in motor cam. Insert other end into hole of latch lever.

Step 5: Position door motor assembly and secure with two mounting nuts.

Step 6: Route wire harness behind PC mounting bracket and connect to J15 on PC board.

MA9832i