

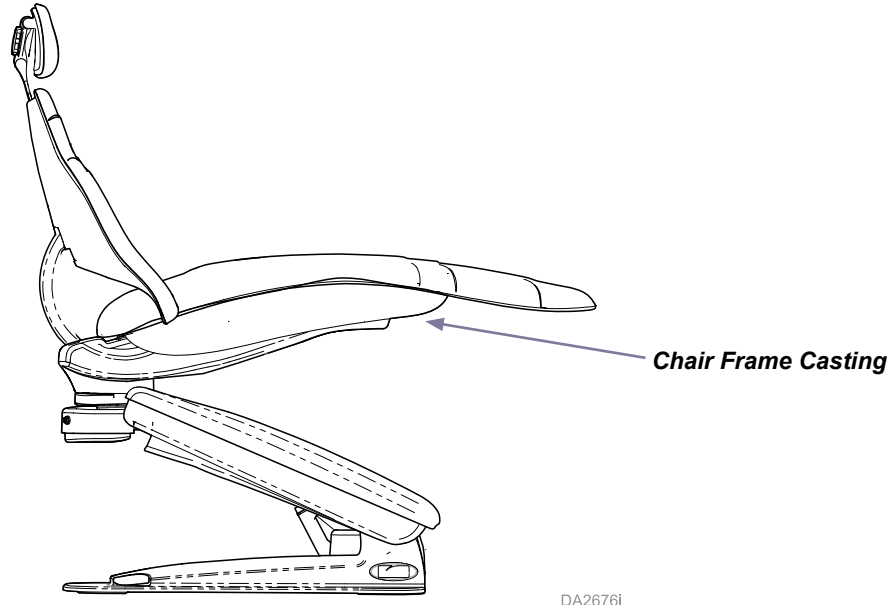


Monitor Arm Installation: Elevance™ Chair LR (Long & Short Arms) / Procenter Console Mounted

Applies to:
002-1195-02
153699
153762
153823-001/-002
153824-001/-002

Restriction
The LR monitor arm cannot be used in conjunction with an LR light.

Pre-Installation Preparation...
A) Raise chair frame casting 10 to 15" above floor.
B) Disconnect power source from chair.



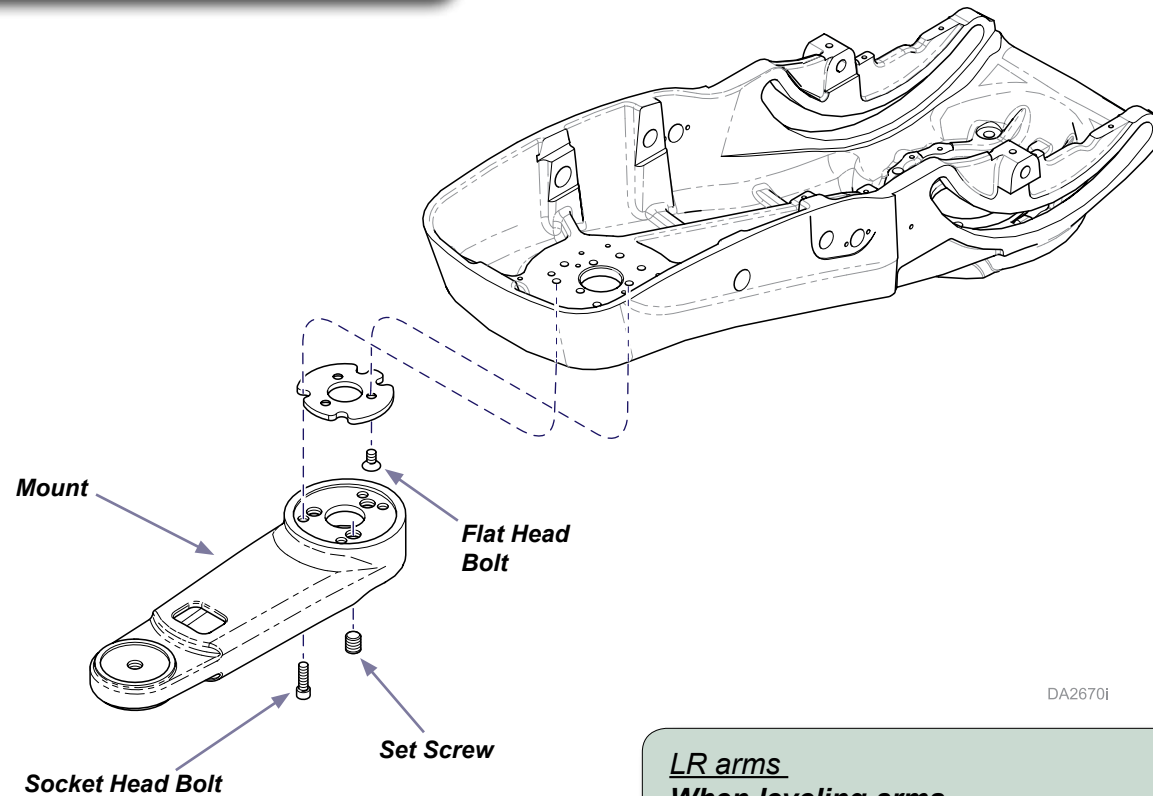
LR Mounted Models

LR arms

Step 1: Install LR Mount Assembly.

- A) Apply thread-locking adhesive to flat head bolts, socket head bolts, and set screws.
- B) Install set screws into mount.
- C) Install leveling plate on chair using flat head bolts.
- D) Install mount on chair using socket head bolts.
- E) Adjust socket head bolts and set screws to level mount as required.

Note: Level LR mount assembly before continuing installation.



DA2670i

LR arms

When leveling arms...

- A) Loosen bolts.
- B) Place level against arm.
- C) Place level on each arm and move in all directions to check level.
- D) Adjust set screws as necessary to level the arm.
- E) Tighten bolts.

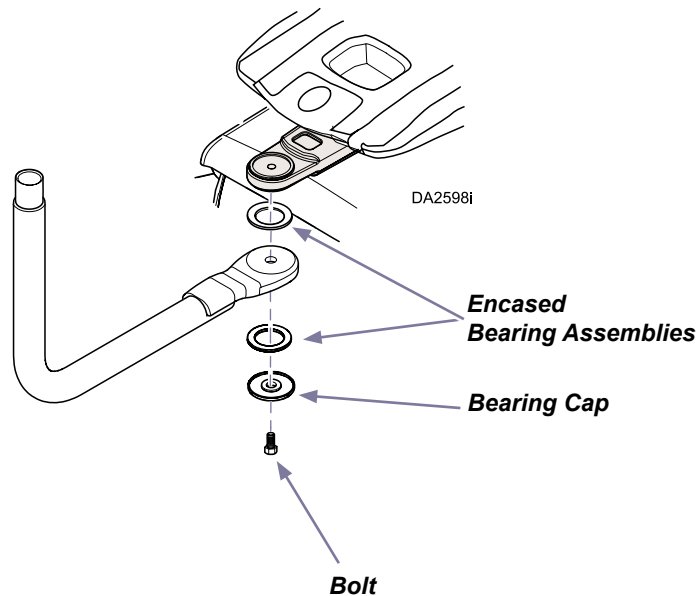
LR Mounted Models - continued

LR arms

Step 2: Install LR Lower Arm Assembly...

- A) Position lower arm under LR chair mount assembly.
- B) Position bearings.
- C) Position bearing cap.
- D) Install hex bolt.
- E) Install arm bearing cover (not shown - included separate from lower arm assembly).
- F) Level lower arm.

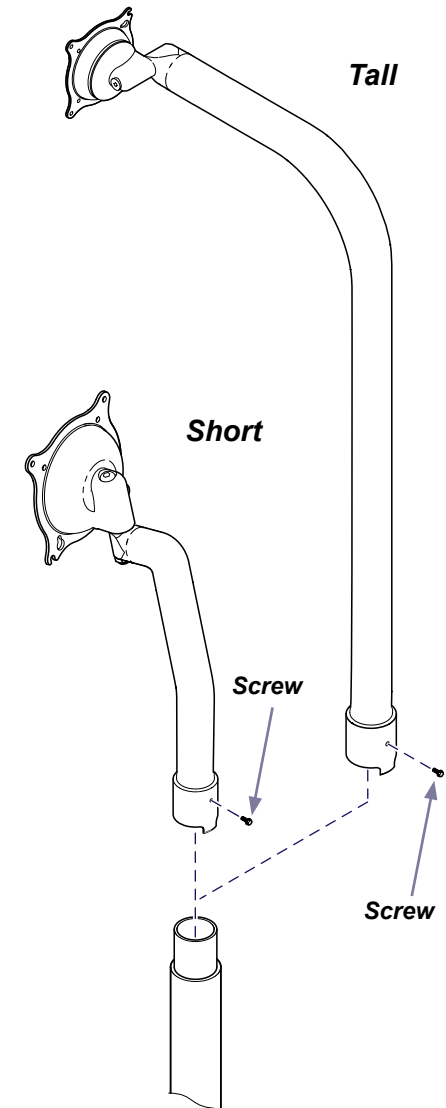
Note: Each needle thrust bearing assembly can be installed to the lower arm on either side.
Level LR lower arm assembly before continuing installation.



LR arms

Step 3: Install LR Upper Arm Assembly...

- A) Position upper arm over lower arm opening.
- B) Install screw and adjust to secure upper arm into lower arm.



DA2684i

Console Mounted Models

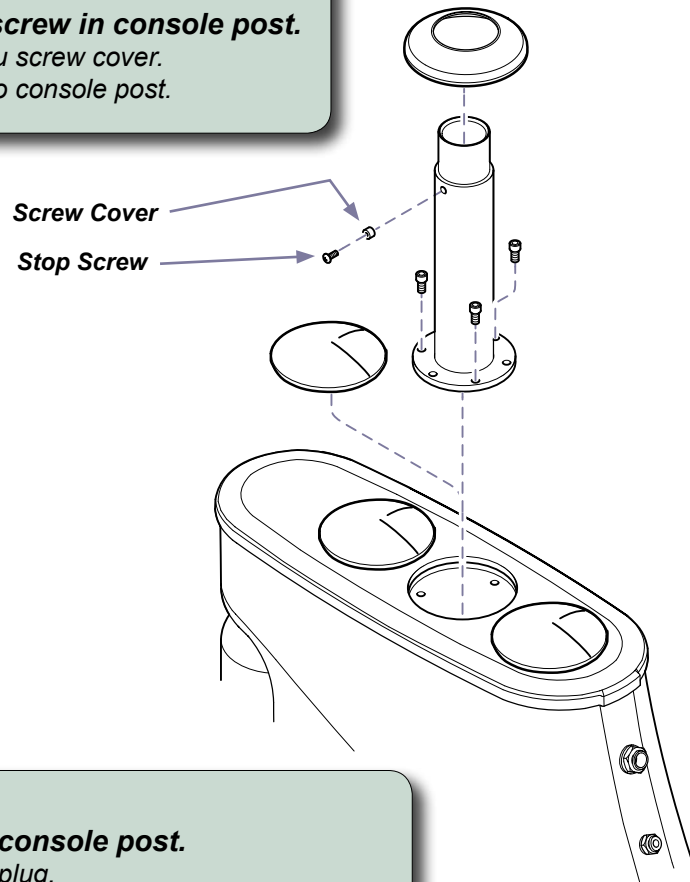
NOTE

There are two sets of mounting holes in the base flange of the post to allow for left or right-hand mounted consoles. To assure proper range of motion, position console post with stop screw toward the chair, then align mounting holes.

Console arms

Step 1: Install stop screw in console post.

- A) Insert stop screw thru screw cover.
- B) Install stop screw into console post.



Console arms

Step 2: Install console post.

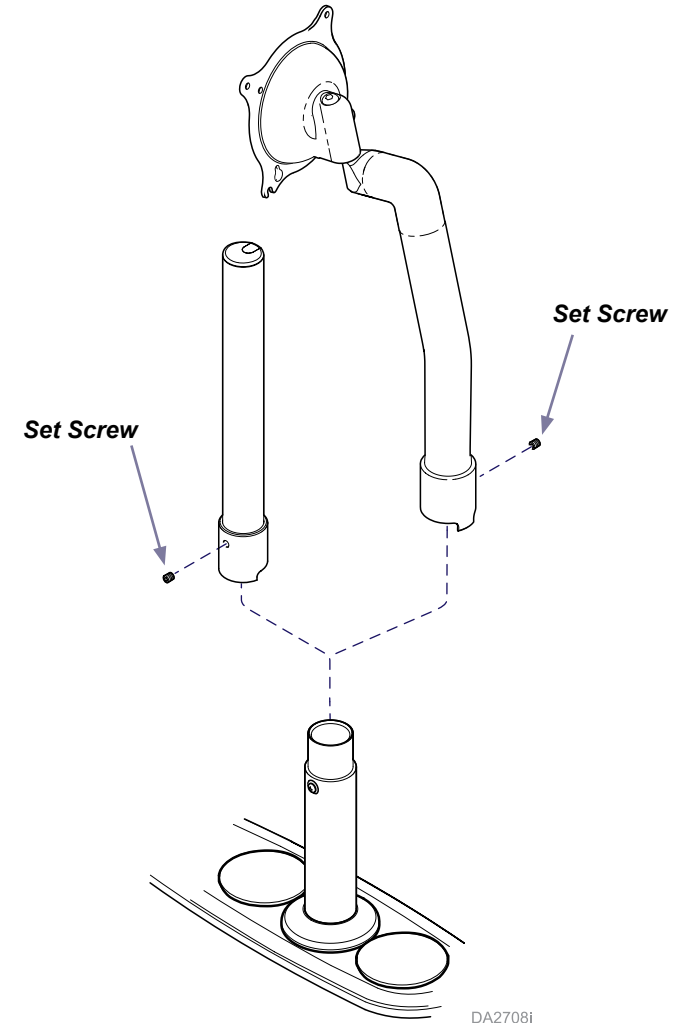
- A) Remove hole plug.
- B) Position post with stop screw toward the chair.
- C) Secure post with screws.
- D) Install trim ring.

DA116801i

Console arms

Step 3: Install support arm.

- A) Slide support arm onto console post.
- B) Install / tighten set screw.

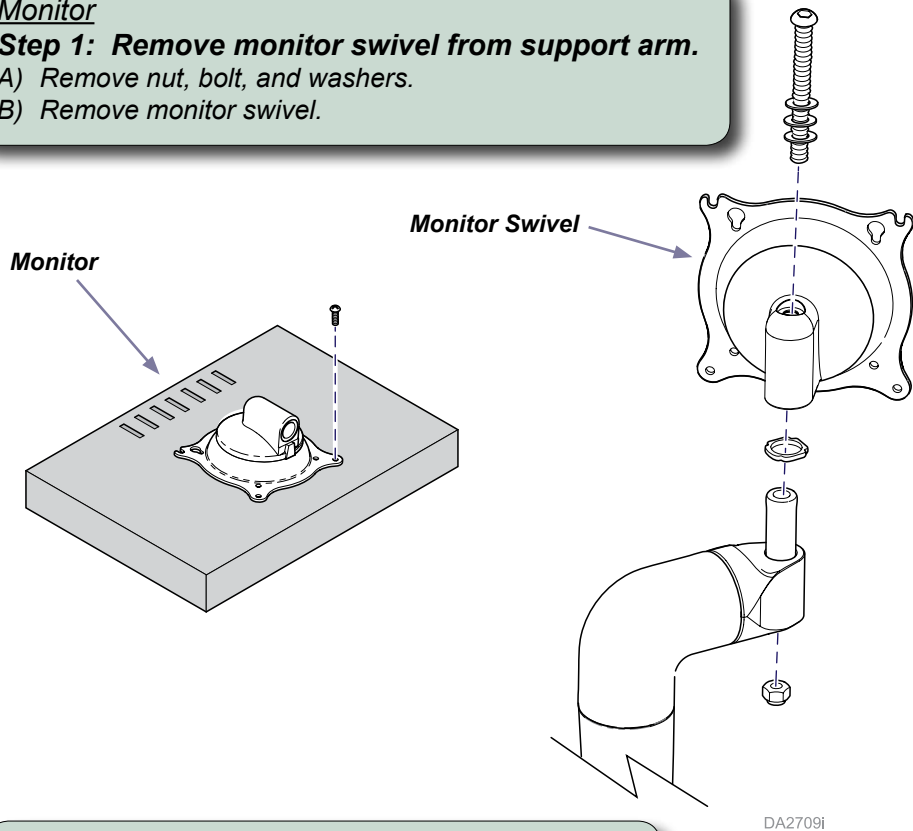


Mounting the Monitor

Monitor

Step 1: Remove monitor swivel from support arm.

- A) Remove nut, bolt, and washers.
- B) Remove monitor swivel.



DA2709i

Monitor

Step 2: Mount swivel to monitor.

- A) Align swivel with holes on back of monitor.
- B) Secure swivel with screws (provided w/ monitor).

Monitor

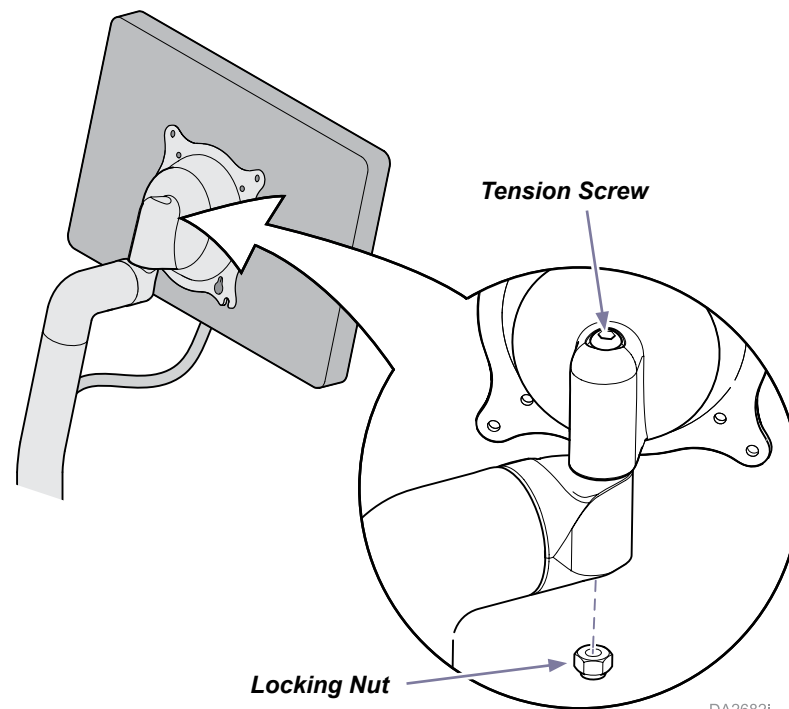
Step 3: Install swivel / monitor onto support arm.

- A) Position swivel / monitor onto support arm.
- B) Secure with bolt, washers, and nut.

Monitor Tension Adjustment

If monitor will not stay in position...

- A) Loosen locking nut.
- B) Tighten tension screw as necessary.
- C) Tighten locking nut.

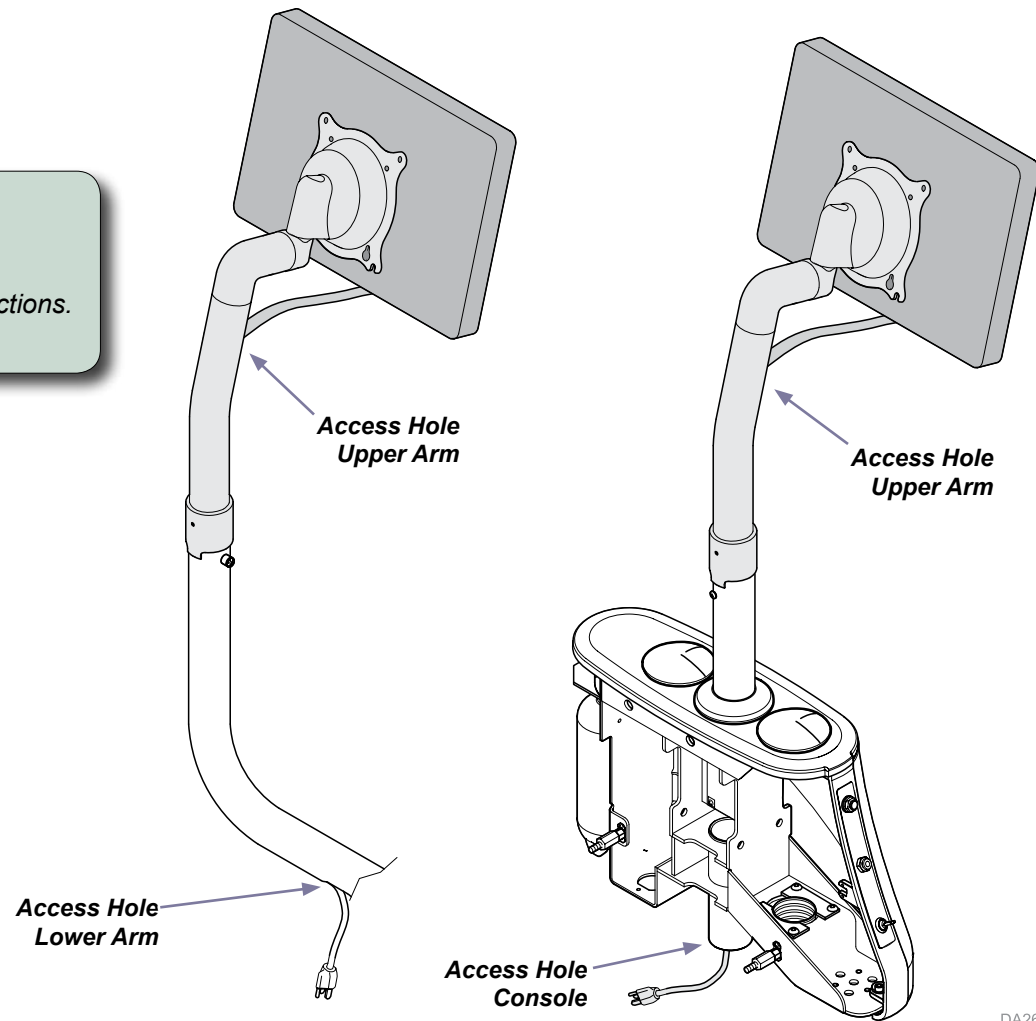


DA2682i

Routing the Monitor Cord

Route monitor cord through the access holes.

- A) Route cord through access hole in upper arm.
- B) Pull cord through access hole in lower arm / console.
- C) Connect monitor cord per monitor manufacturer's instructions.
- D) Connect power source to chair.



DA2683i