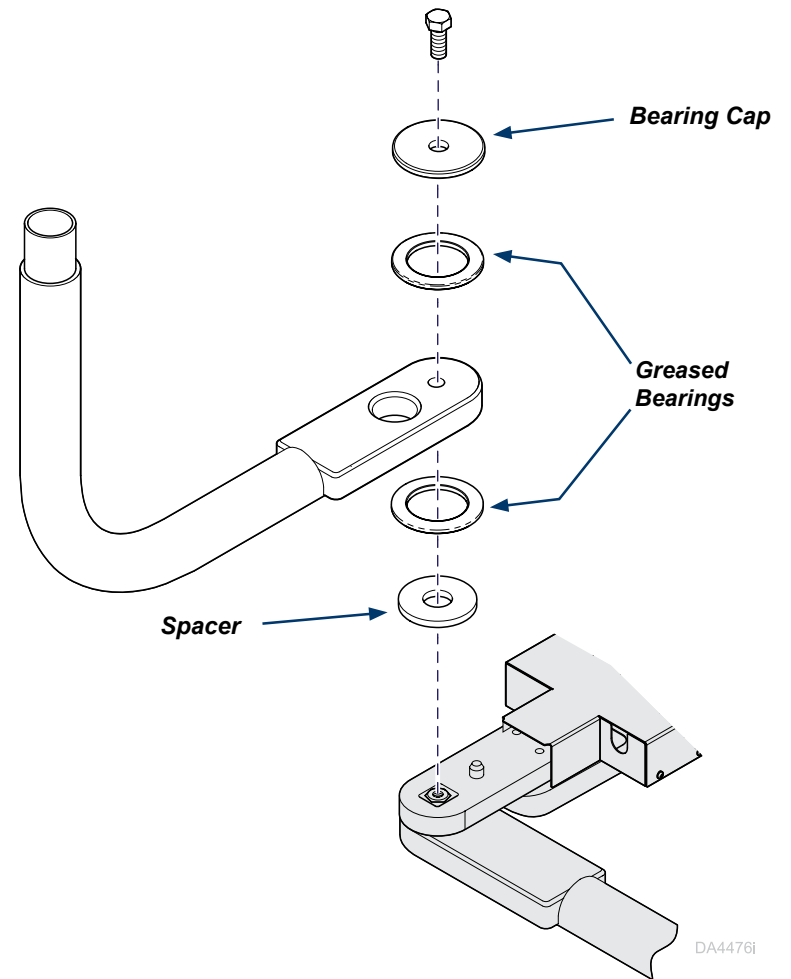


Monitor Arm Installation: *Ultra Chairs*

Applies to:
153698 / 153698-001
153699
153705 / 153705-001
153762
153763 / 153763-001

LR Mounted Models

LR arms
Step 1: Install the lower arm.
A) Raise the chair seat to access the lower arm mounting bracket.
B) Disconnect power source from chair.
C) Lubricate bearings with supplied lubricant.
D) Stack the cap and bearing over the bracket bolt as shown.
E) Stack the lower components as shown.
F) Insert bolt through bearing stack and small hole in lower arm.
G) Thread bolt into bracket bolt, tighten; then install bolt cover.

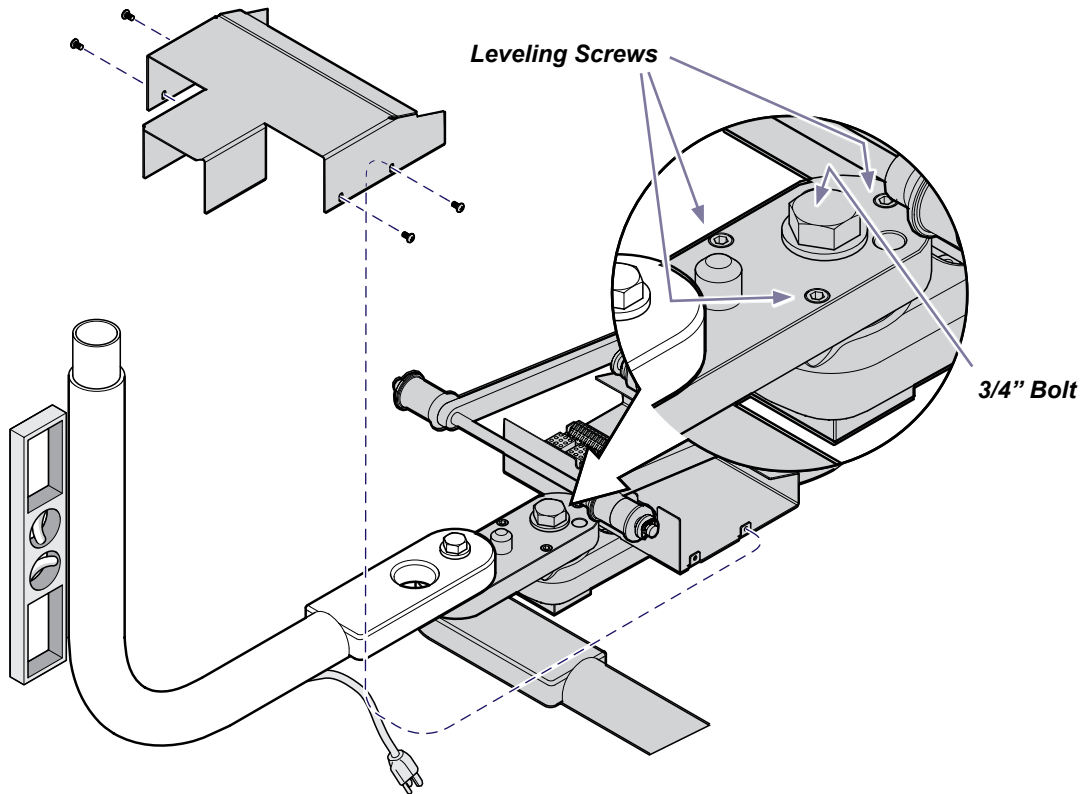


LR Mounted Models - continued

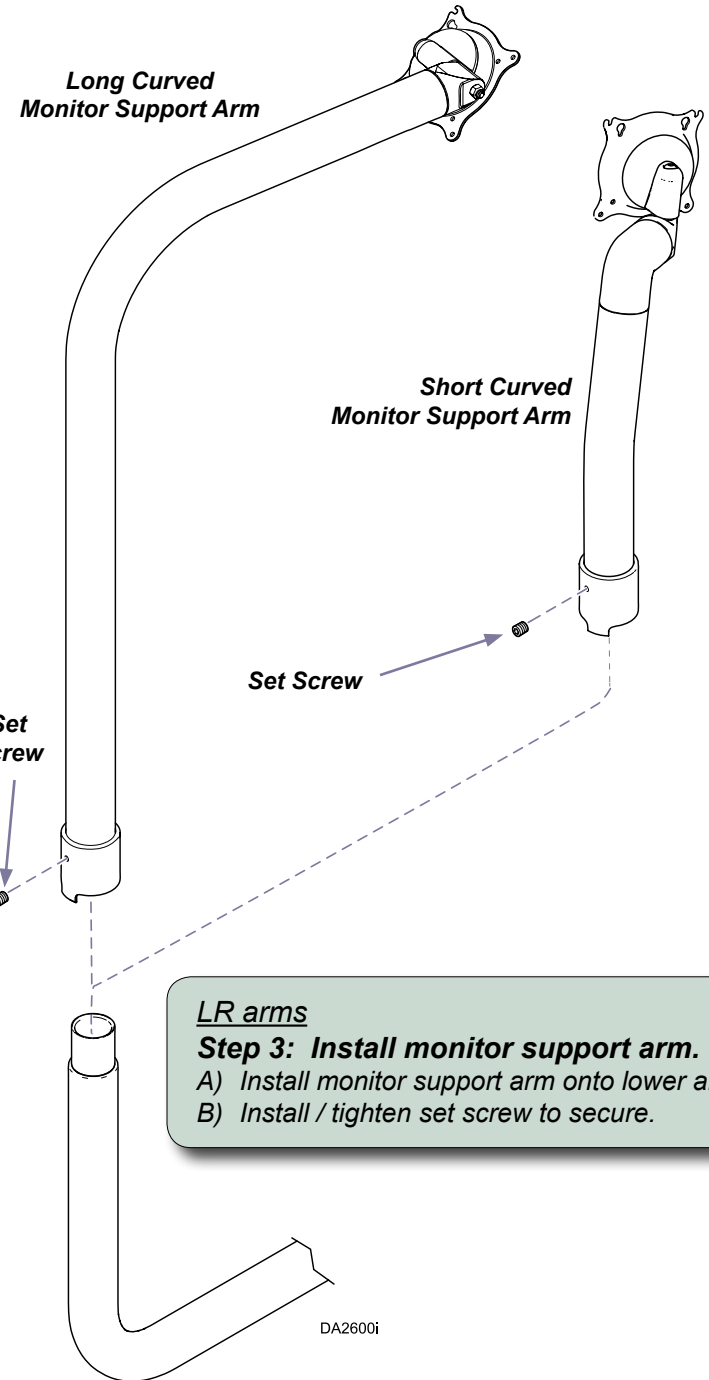
LR arms

Step 2: Level the lower arm.

- A) Remove mounting bracket cover.
- B) Loosen 3/4" bolt.
- C) Place level against lower arm as shown.
- D) Move level around the post to check level in all directions.
- E) Adjust leveling screws as necessary to level the arm.
- F) Tighten 3/4" bolt.
- G) Install mounting bracket cover.



DA2706i



LR arms

Step 3: Install monitor support arm.

- A) Install monitor support arm onto lower arm.
- B) Install / tighten set screw to secure.

DA2600i

Console Mounted Models

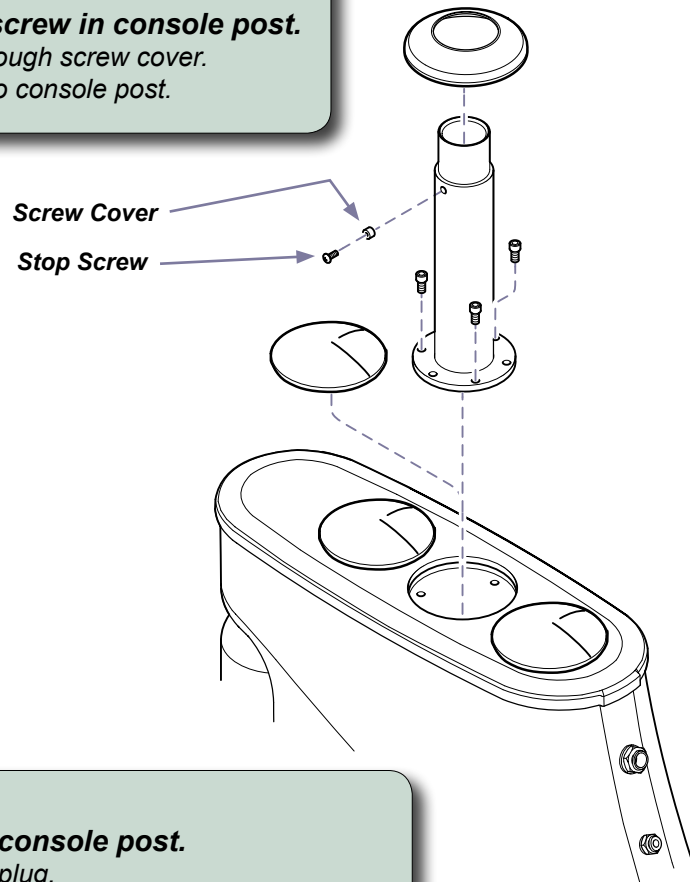
NOTE

There are two sets of mounting holes in the base flange of the post to allow for left or right-hand mounted consoles. To assure proper range of motion, position console post with stop screw toward the chair, then align mounting holes.

Console arms

Step 1: Install stop screw in console post.

- A) Insert stop screw through screw cover.
- B) Install stop screw into console post.



DA116801i

Console arms

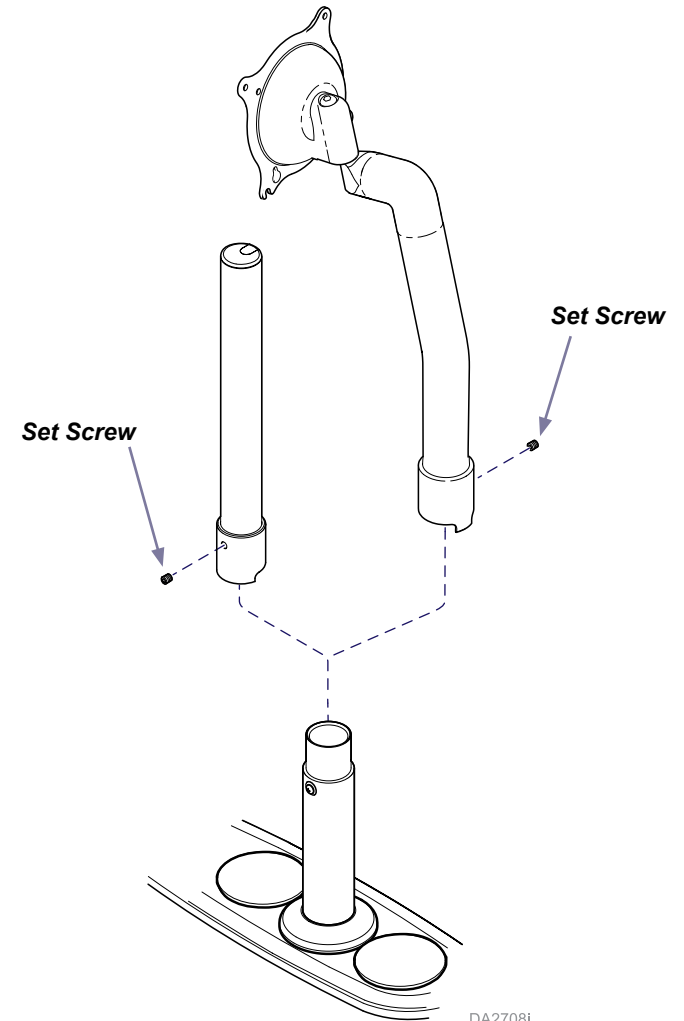
Step 2: Install console post.

- A) Remove hole plug.
- B) Position post with stop screw toward the chair.
- C) Secure post with screws.
- D) Install trim ring.

Console arms

Step 3: Install support arm.

- A) Slide support arm onto console post.
- B) Install / tighten set screw.



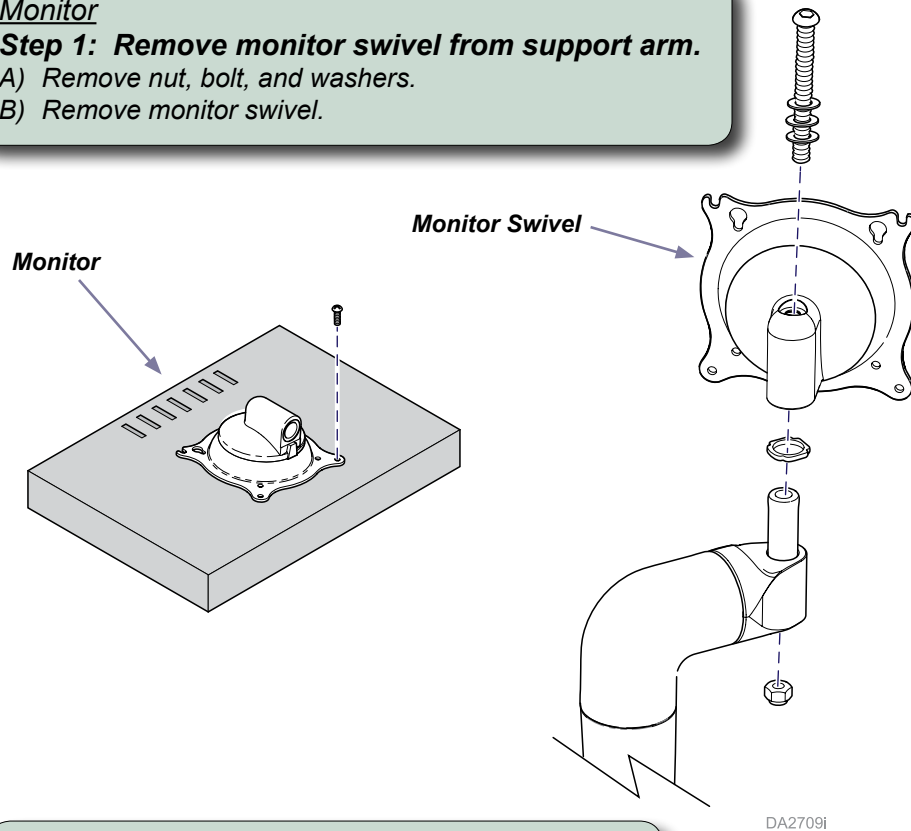
DA2708i

Mounting the Monitor

Monitor

Step 1: Remove monitor swivel from support arm.

- A) Remove nut, bolt, and washers.
- B) Remove monitor swivel.



DA2709i

Monitor

Step 2: Mount swivel to monitor.

- A) Align swivel with holes on back of monitor.
- B) Secure swivel with screws (provided w/ monitor).

Monitor

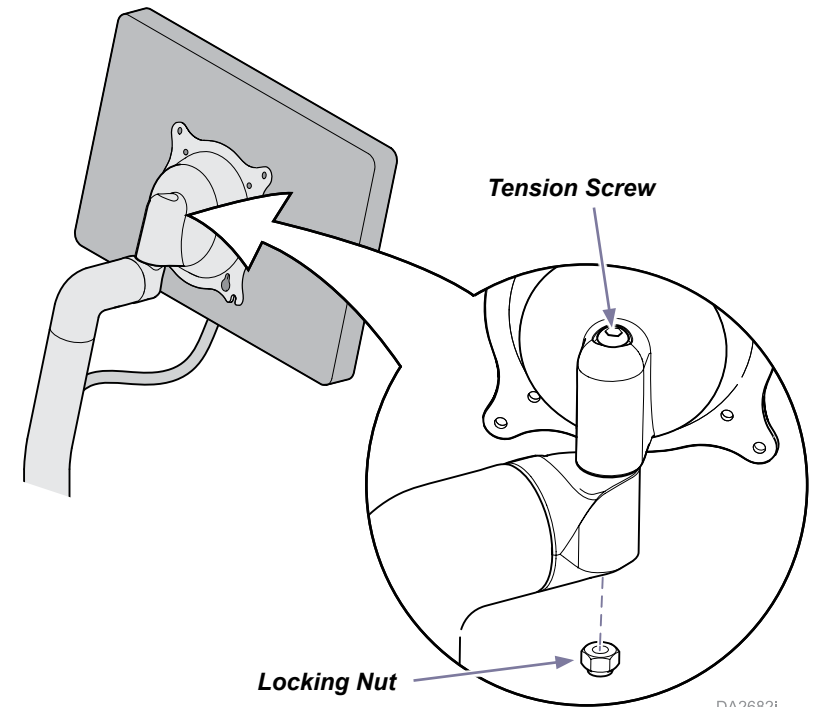
Step 3: Install swivel / monitor onto support arm.

- A) Position swivel / monitor onto support arm.
- B) Secure with bolt, washers, and nut.

Monitor Tension Adjustment

If monitor will not stay in position...

- A) Loosen locking nut.
- B) Tighten tension screw as necessary.
- C) Tighten locking nut.

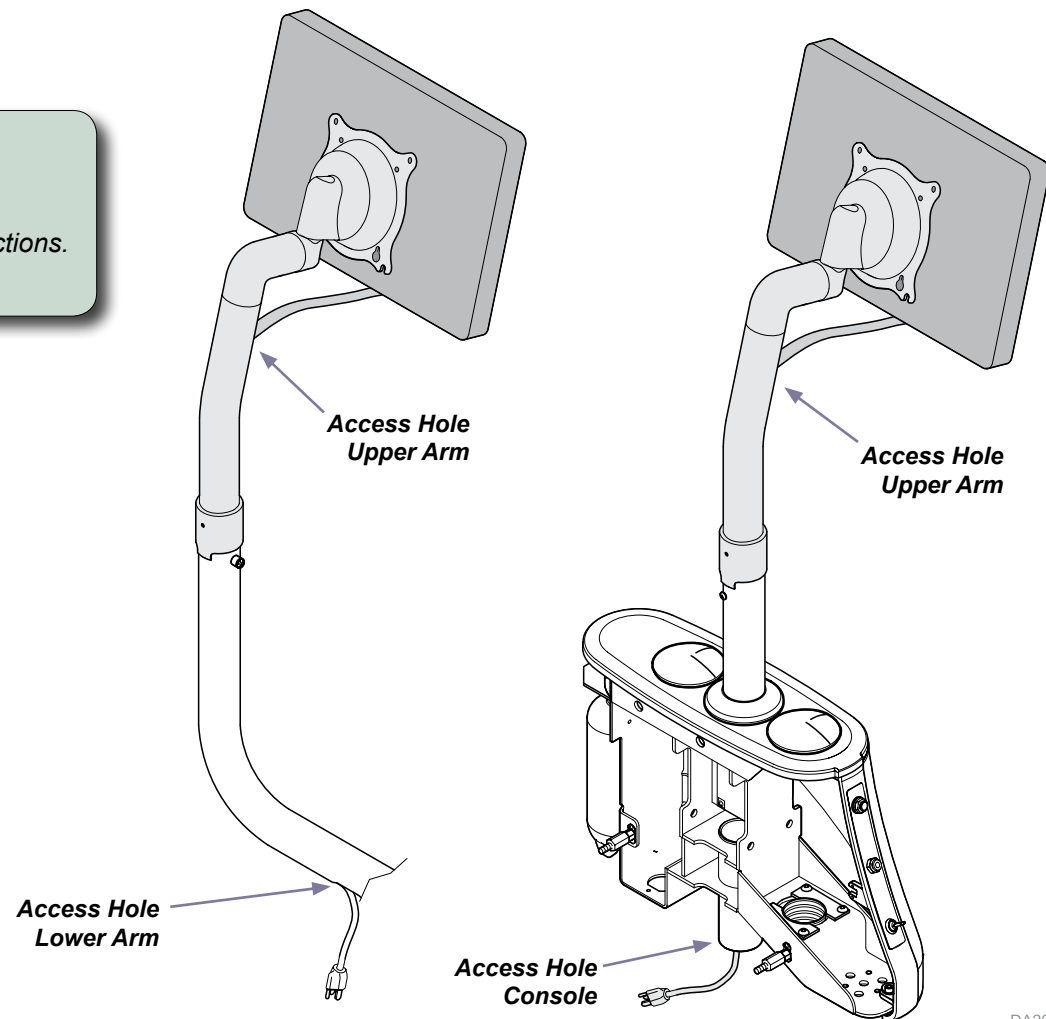


DA2682i

Routing the Monitor Cord

Route monitor cord through the access holes.

- A) Route cord through access hole in upper arm.
- B) Pull cord through access hole in lower arm / console.
- C) Connect monitor cord per monitor manufacturer's instructions.
- D) Connect power source to chair.



DA2683i



Because we care.