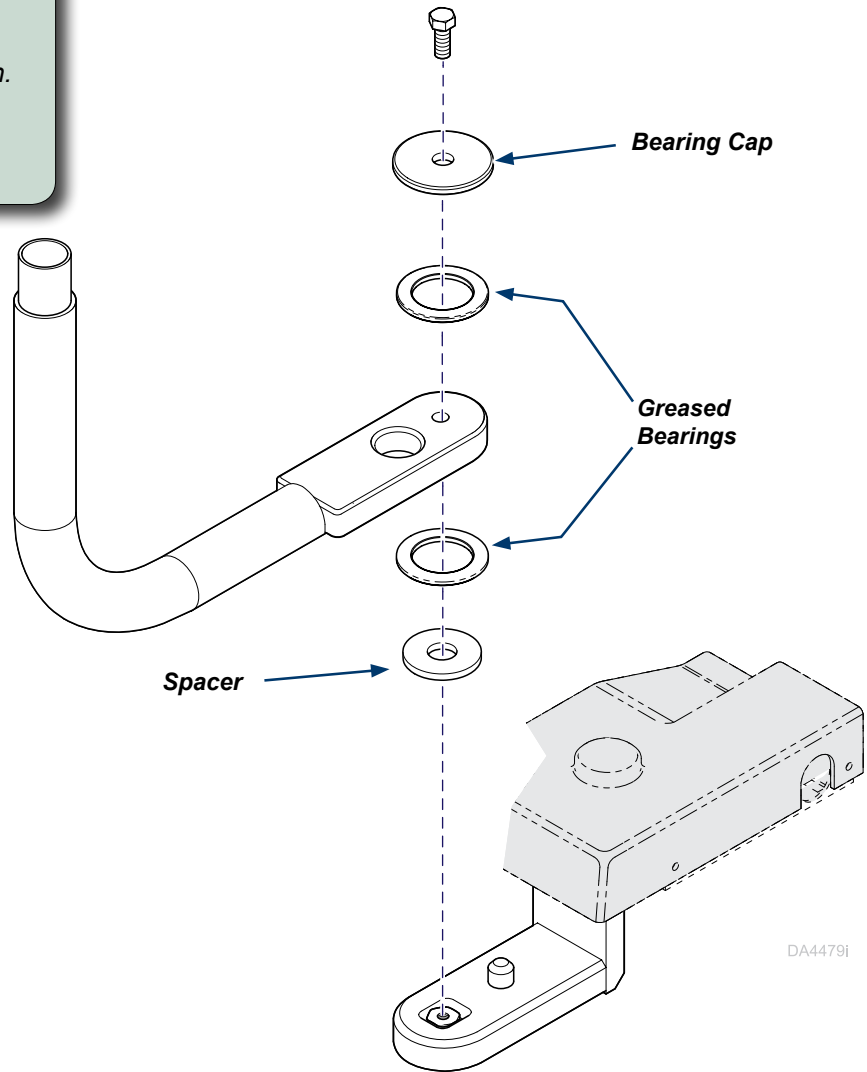


Monitor Arm Installation: *Knight Chairs*

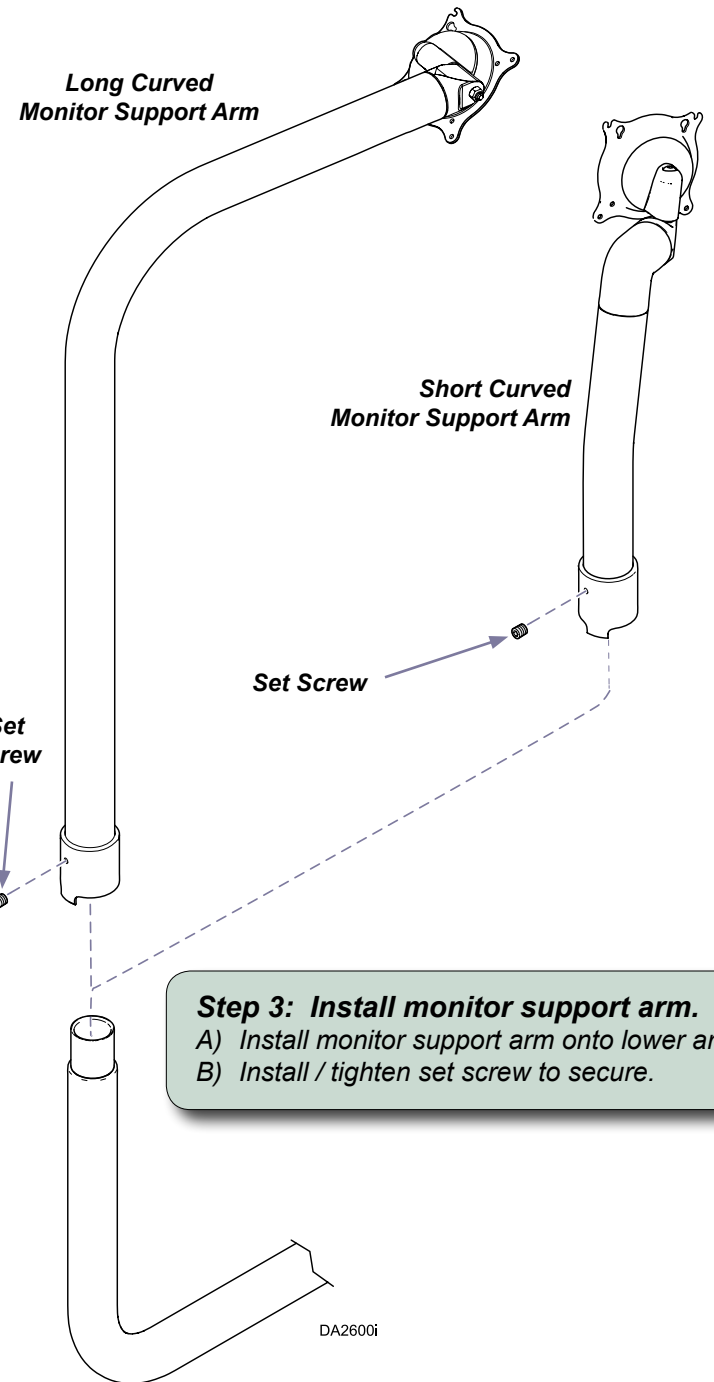
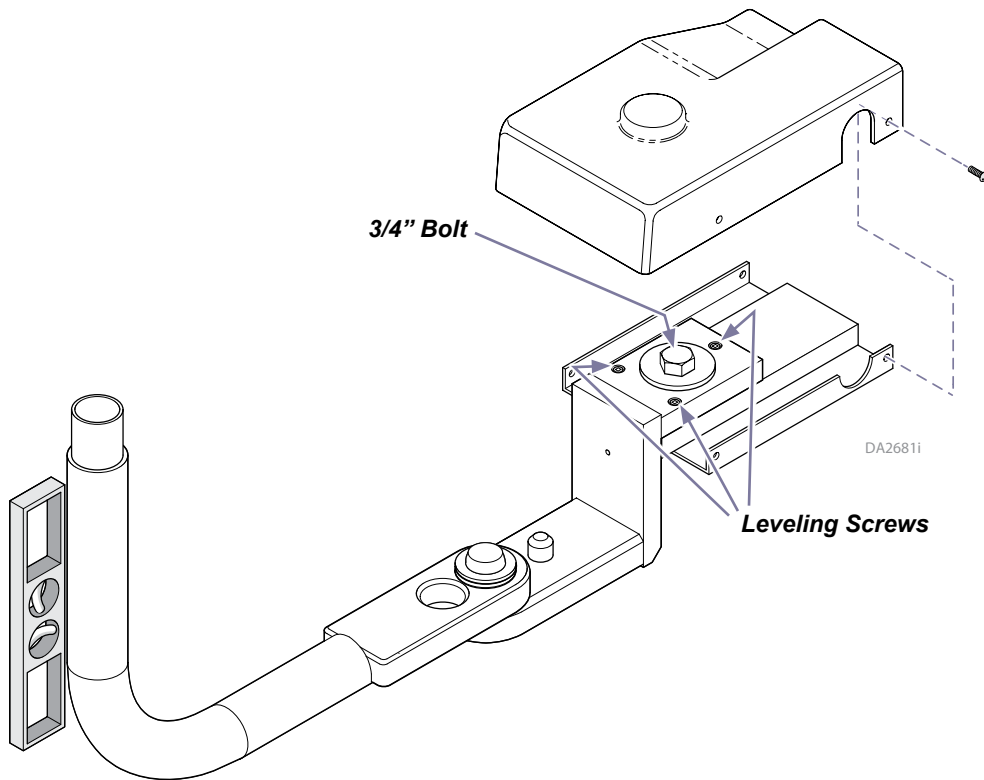
Applies to:
153698 / 153698-002
153763 / 153763-002
153705 / 153705-002

- Step 1: Install the lower arm.**
- A) Raise the chair seat to access the lower arm mounting bracket.
 - B) Disconnect power source from chair.
 - C) Lubricate bearings with supplied lubricant.
 - D) Stack the upper cap and bearing over the bracket bolt as shown.
 - E) Stack the lower components as shown.
 - F) Insert bolt through bearing stack and small hole in lower arm.
 - G) Thread bolt into bracket bolt, tighten; then install bolt cover.



Step 2: Level the lower arm.

- A) Remove mounting bracket cover.
- B) Loosen 3/4" bolt.
- C) Place level against lower arm as shown.
- D) Move level around the post to check level in all directions.
- E) Adjust leveling screws as necessary to level the arm.
- F) Tighten 3/4" bolt.
- G) Install mounting bracket cover.



Step 3: Install monitor support arm.

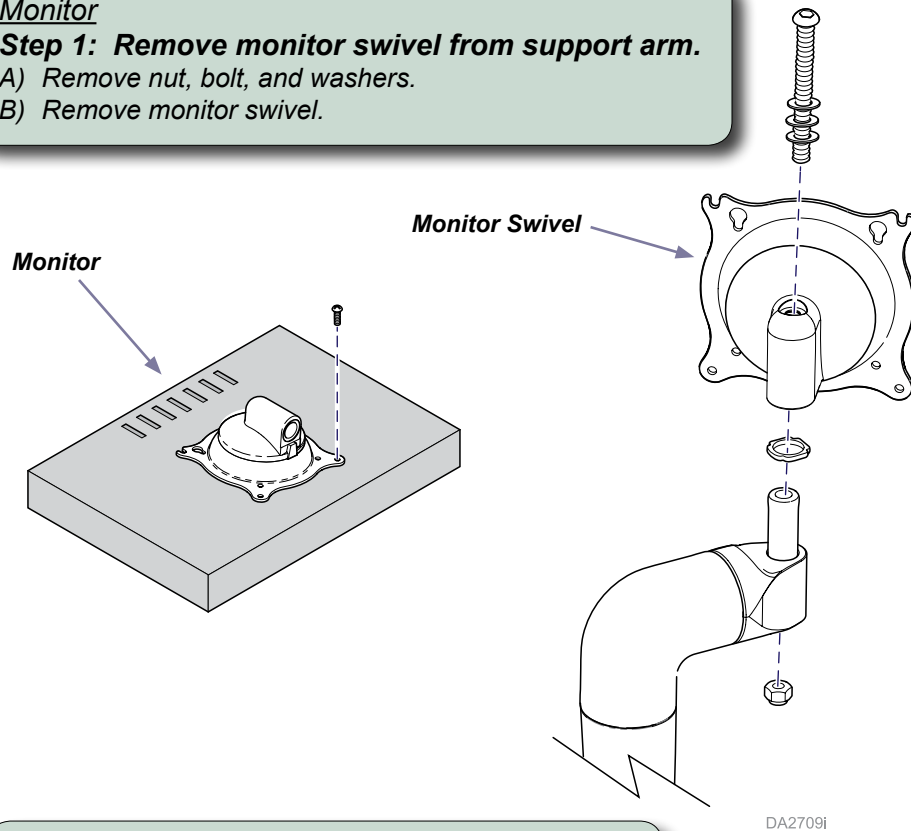
- A) Install monitor support arm onto lower arm.
- B) Install / tighten set screw to secure.

Mounting the Monitor

Monitor

Step 1: Remove monitor swivel from support arm.

- A) Remove nut, bolt, and washers.
- B) Remove monitor swivel.



Monitor

Step 2: Mount swivel to monitor.

- A) Align swivel with holes on back of monitor.
- B) Secure swivel with screws (provided w/ monitor).

Monitor

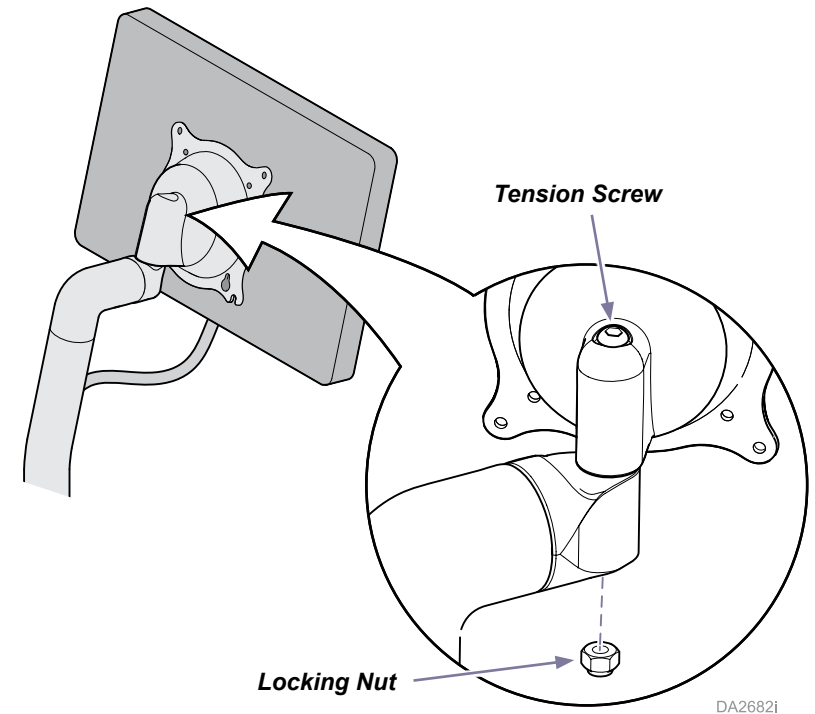
Step 3: Install swivel / monitor onto support arm.

- A) Position swivel / monitor onto support arm.
- B) Secure with bolt, washers, and nut.

Monitor Tension Adjustment

If monitor will not stay in position...

- A) Loosen locking nut.
- B) Tighten tension screw as necessary.
- C) Tighten locking nut.



Routing the Monitor Cord

Route monitor cord through the access holes.

- A) Route cord through access hole in upper arm.
- B) Pull cord through access hole in lower arm.
- C) Connect monitor cord per monitor manufacturer's instructions.
- D) Connect power source to chair.

