

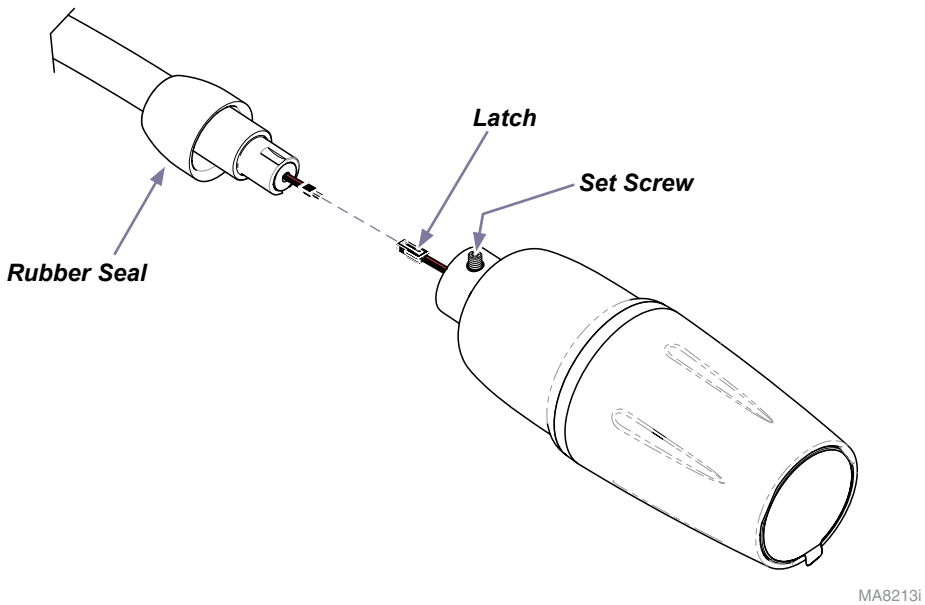


Flex Arm Replacement Kit [002-1401-00, 002-10209-00]

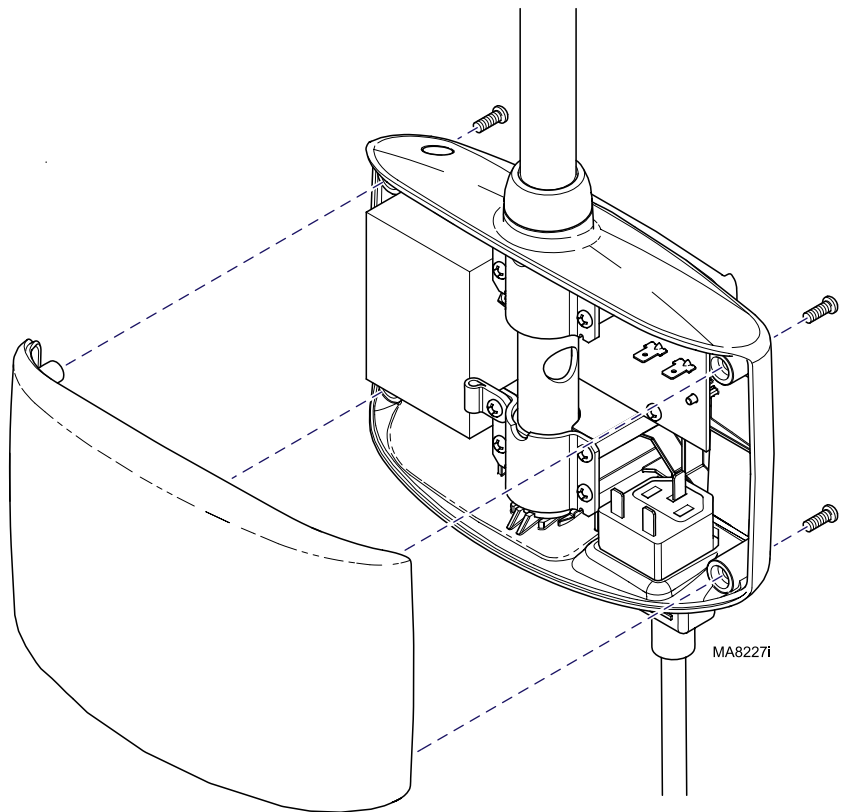
Components:

Flex Arm Assy.....	1
Set Screw (Light).....	1
Set Screw (Arm).....	1
O-Ring.....	1

Step 1: Disconnect power / remove lighthouse.
A) Disconnect power to light.
B) Slide rubber seal up to expose the set screw.
C) Remove set screw.
D) Release latch on connector, then disconnect wire harness.
(Prevent connector from being pushed into lighthouse)

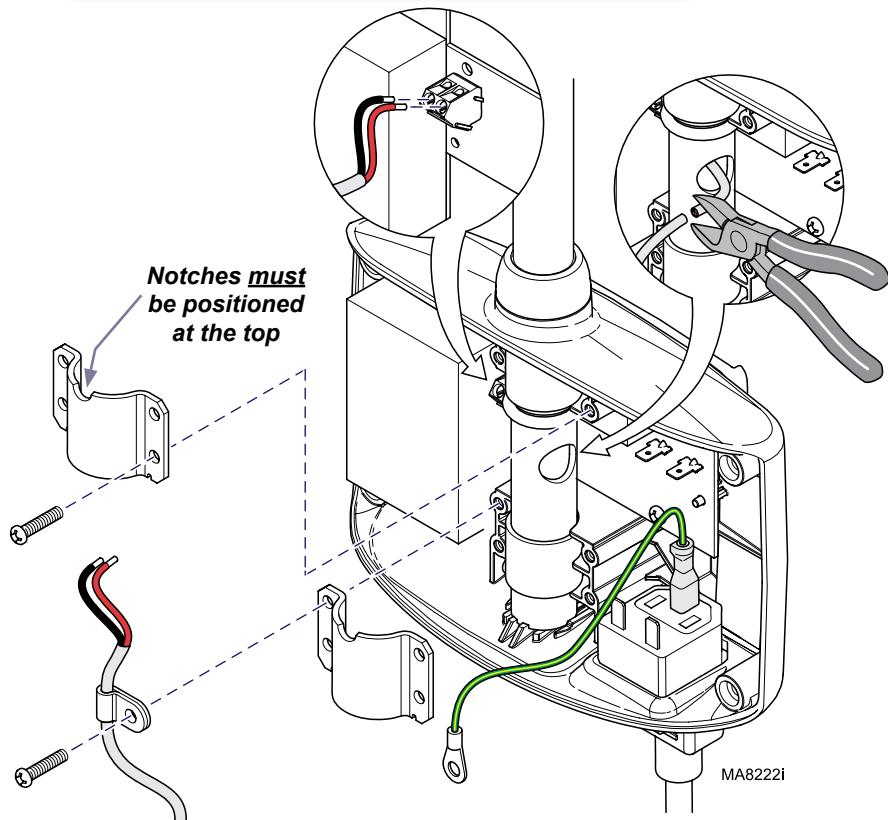


Step 2: Remove housing cover.



Step 3: Disconnect flex arm from housing.

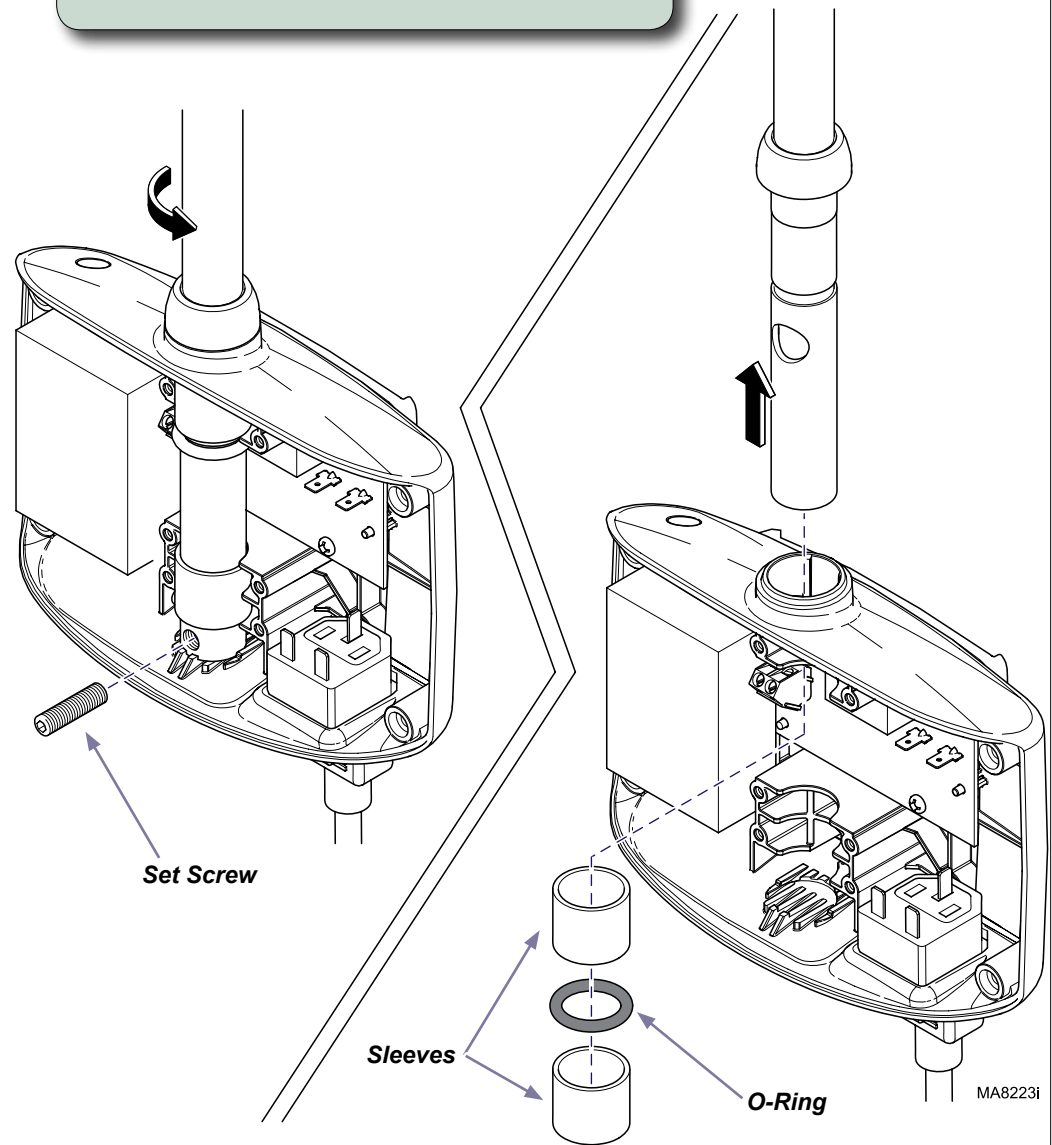
- A) Disconnect flex arm wires from PC board.
- B) Cut flex arm wire harness from flex arm.
- C) Remove two clamps.



Step 4: Remove flex arm from housing.

- A) Remove set screw from flex arm.
- B) Remove flex arm from housing.
- C) Set sleeves aside and discard o-ring.

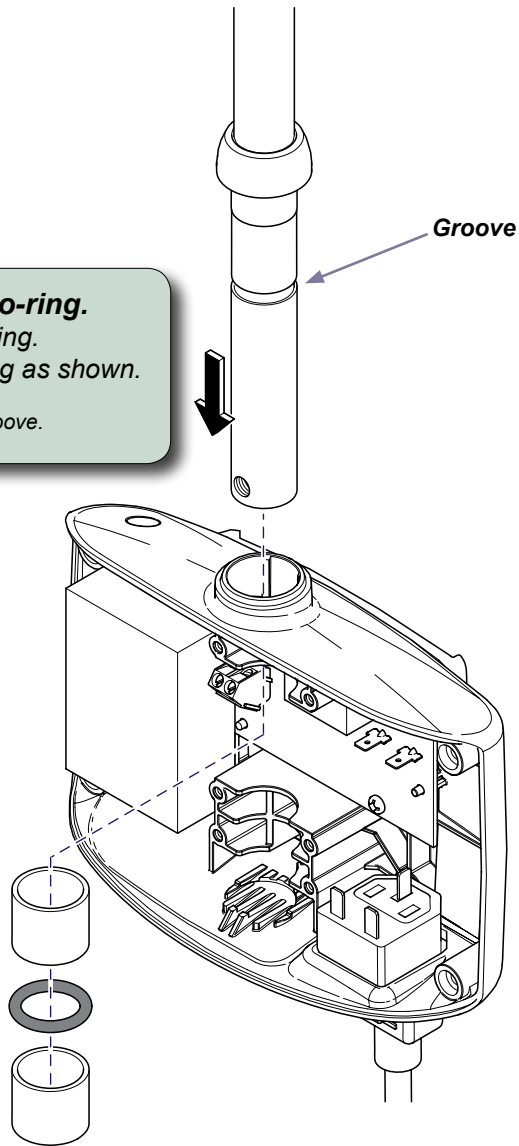
Note: New O-ring is sent with replacement kit.



Step 5: Install sleeves / o-ring.

- A) Slide flex arm into housing.
- B) Install sleeves and o-ring as shown.

Note: O-ring must be seated in groove.

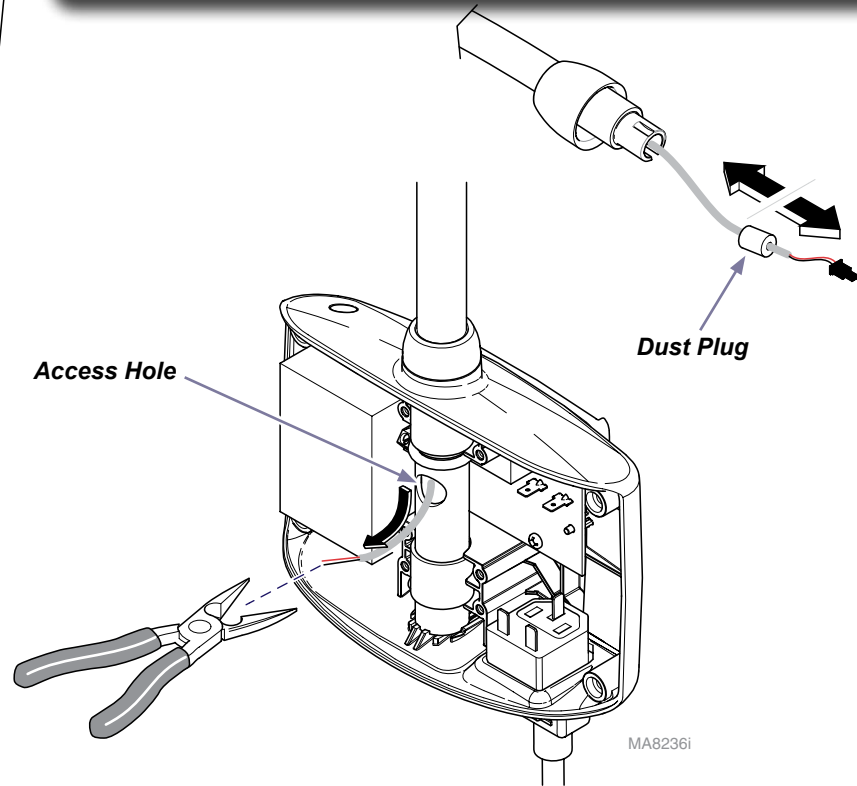


Equipment Alert

Do **not** grab grey insulated portion of wire harness with pliers when pulling thru access hole. Doing so may result in damage to the harness.

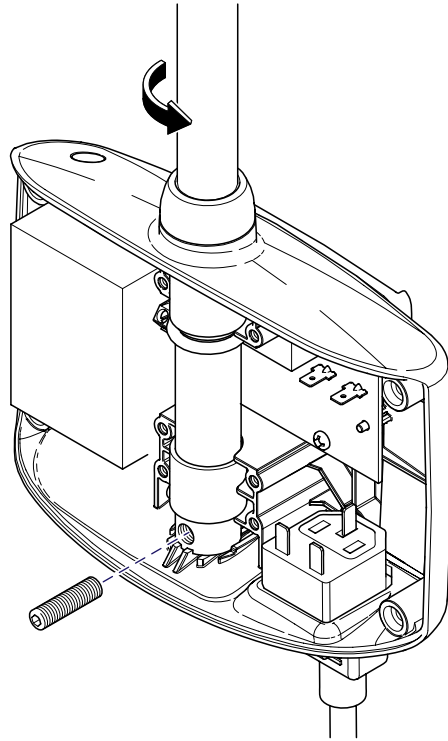
Step 6: Pull wire harness thru access hole.

- A) From the lighthouse end of the flex arm, pull wire harness out until the red & black wires are visible thru the access hole at the housing end.
- B) Using pliers, CAREFULLY grasp the red & black wires, then pull harness out thru access hole.
(Pull enough thru to allow connection to PC board)
- C) At lighthouse end, push wire harness and dust plug back into flex arm.



Step 5: Install set screw.

- A) Rotate flex arm as necessary.
- B) Install set screw.



Step 6: Complete installation.

- A) Rotate flex arm so that hole is orientated as shown.
- B) Install two clamps / ground wire / harness clamp
- C) Connect wires to PC board.
- D) Install lighthouse. (See step 1)
- E) Plug unit in and verify proper operation.
- F) Install housing cover.

