



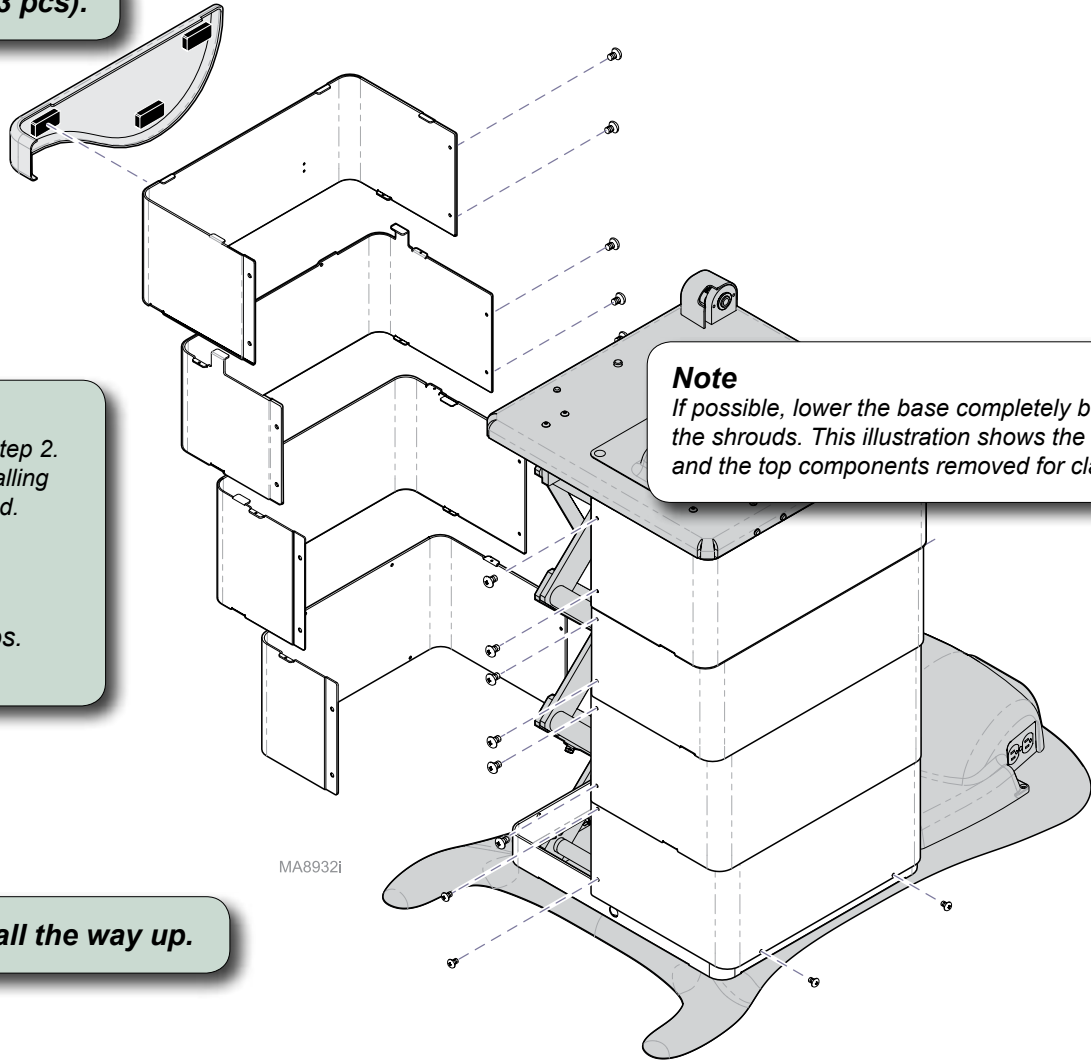
# Foot Actuator Kit [002-0883-00 / 002-0958-00]

**Components:**  
Foot Actuator ..... 1

**Special Tools:**  
none

**Caution**  
Always disconnect power to chair before removing covers or performing any service procedure. If it is necessary to connect power with covers removed, stay clear of any electrical components until power is disconnected.

**Step 1: Remove magnetic cladding (3 pcs).**



**Equipment Alert**  
Lower the base before performing step 2. This will prevent the shrouds from falling when the outer shrouds are removed.

**Step 2: Remove shrouds.**  
A) Remove screws from outer shrouds.  
B) Pull shrouds outward to disengage tabs.  
C) Repeat for middle and inner shrouds.

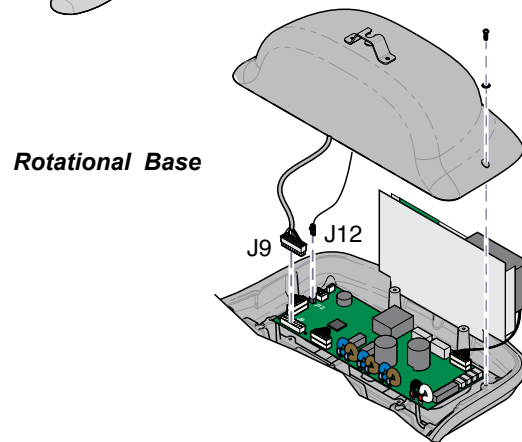
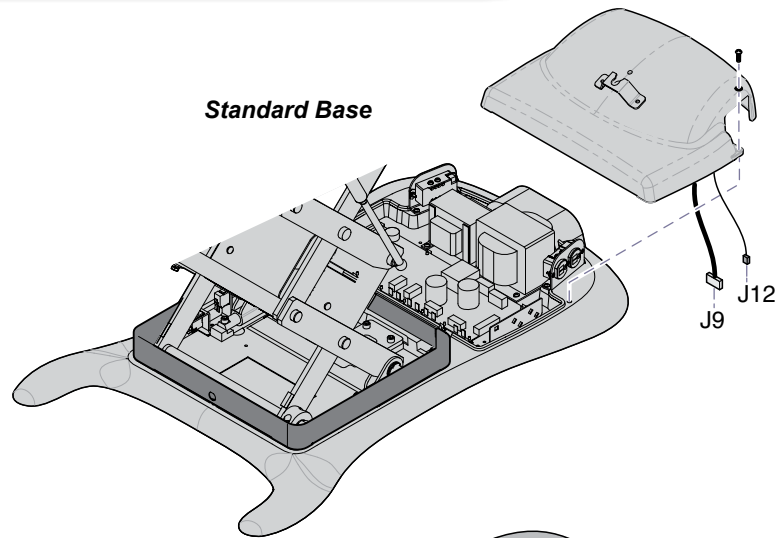
**Note**  
If possible, lower the base completely before removing the shrouds. This illustration shows the base raised, and the top components removed for clarity only.

**Step 3: Run base function all the way up.**

MA89321

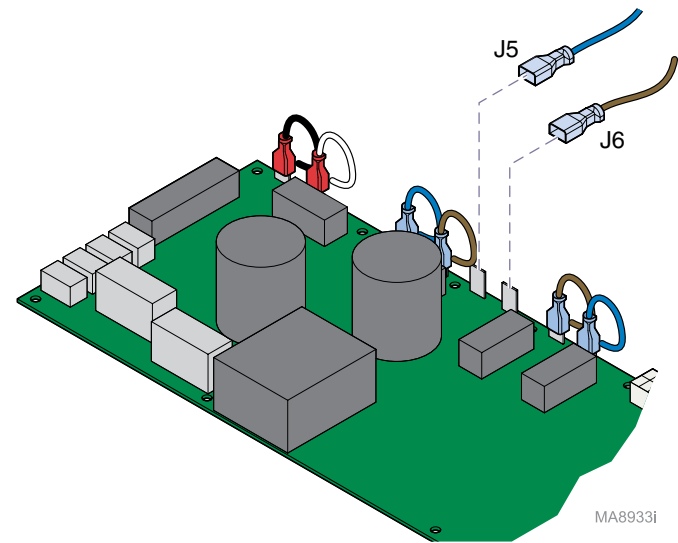
**Step 4: Remove PC board cover.**

- A) Remove two screws / partially separate cover.
- B) Disconnect wires from J9 & J12 on PC board.



**Step 5: Disconnect foot actuator wires.**

- A) Disconnect wires from J5 (blue or black) and J6 (brown or white) on PC board.



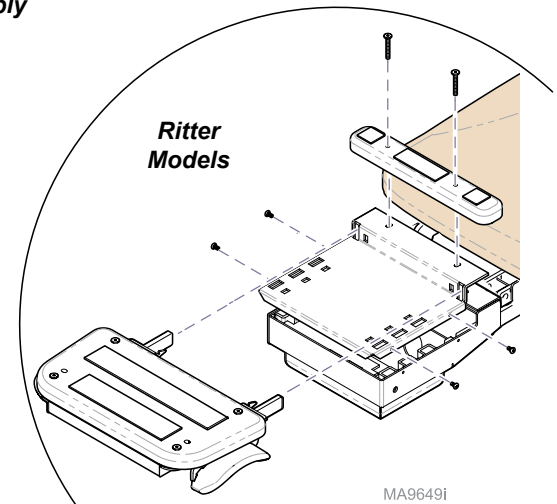
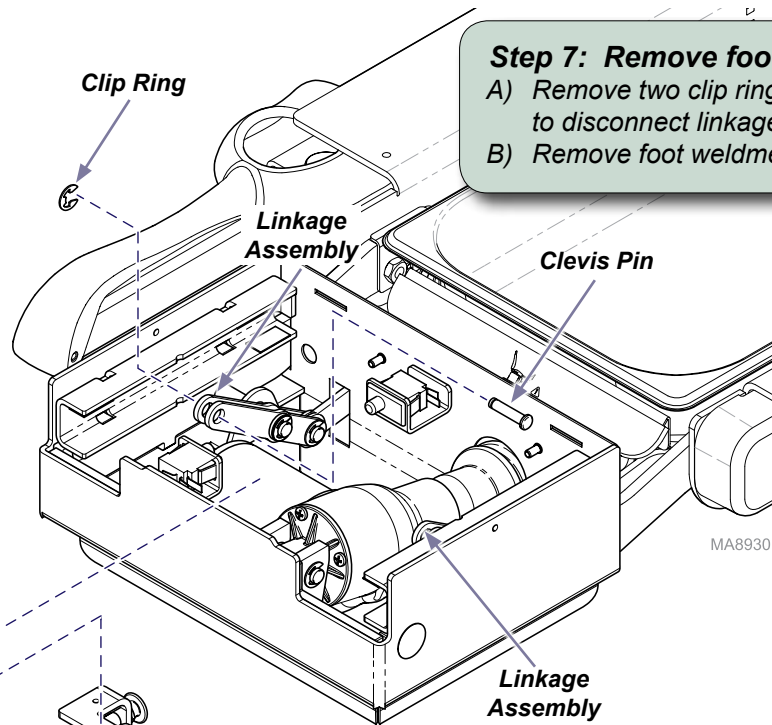
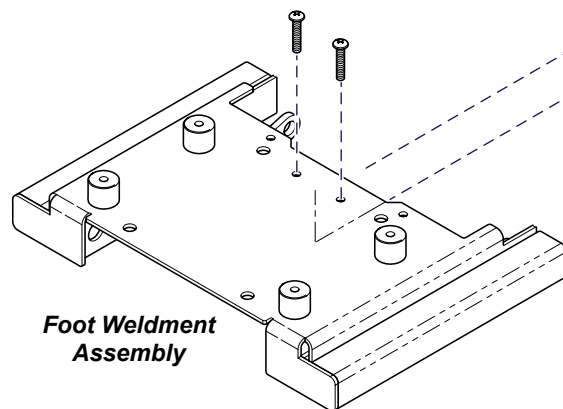
Midmark  
Models

**Step 7: Remove foot weldment.**

- A) Remove two clip rings and clevis pins to disconnect linkage assemblies.
- B) Remove foot weldment assembly.

**Step 6: Remove limit switch bracket.**

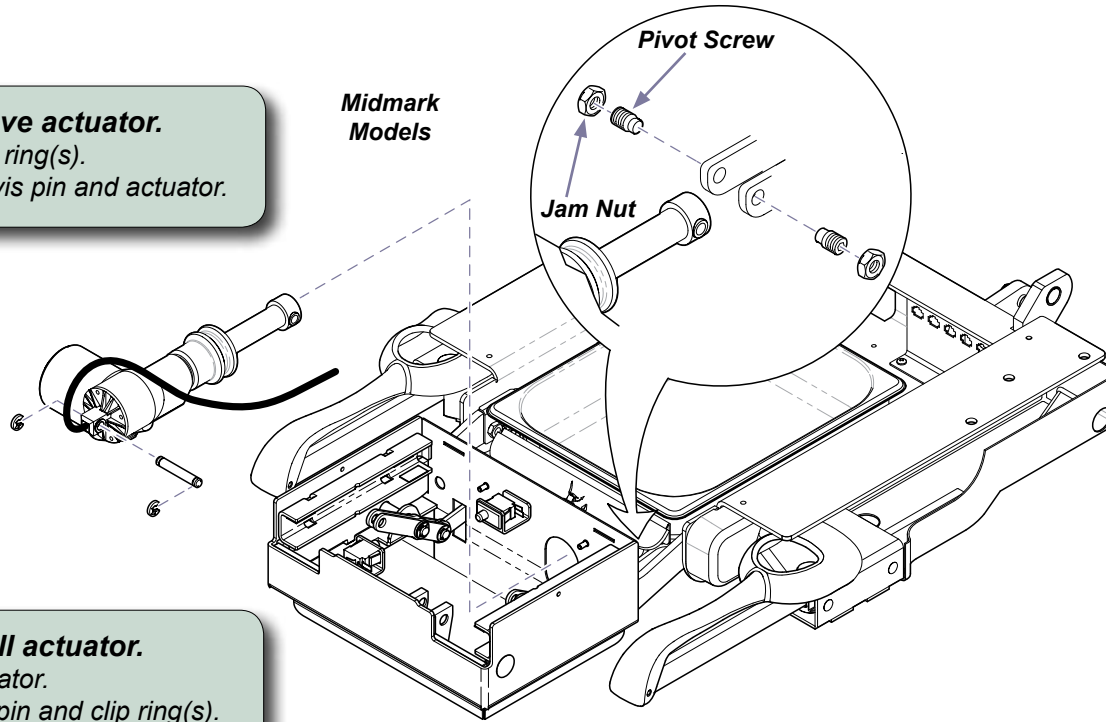
- A) Remove two screws.
- B) Remove limit switch bracket.



**Step 8: Remove jam nuts / pivot screws.**

**Step 9: Remove actuator.**

- A) Remove clip ring(s).
- B) Remove clevis pin and actuator.



Midmark  
Models

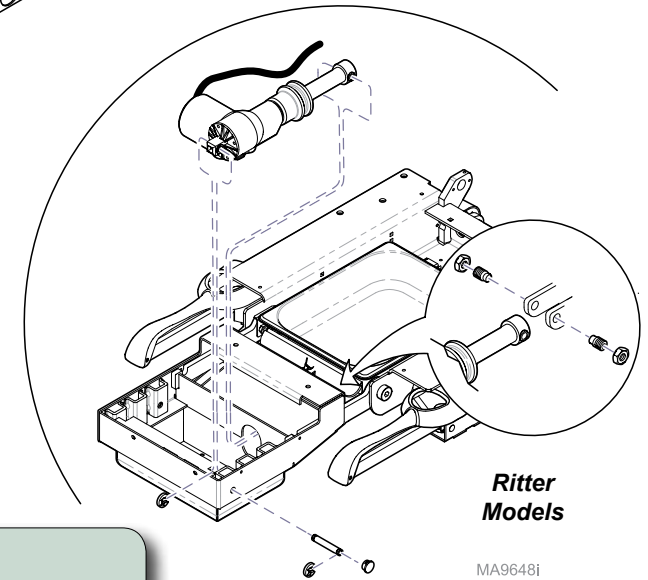
Pivot Screw

Jam Nut

MA8931i

**Step 10: Install actuator.**

- A) Position actuator.
- B) Install clevis pin and clip ring(s).
- C) Install pivot screws / jam nuts.



Ritter  
Models

MA9648i

**Step 11: Install foot weldment.**

- A) Position foot weldment assembly.
- B) Install two clip rings and clevis pins to connect linkage assemblies.

Notes: Be sure shroud tabs stack on top of each other and to insert outer shroud tabs into seat weldment slots. Foot actuator wire colors are J5 (blue or black) and J6 (brown or white).

**Step 12: Install limit switch bracket.**

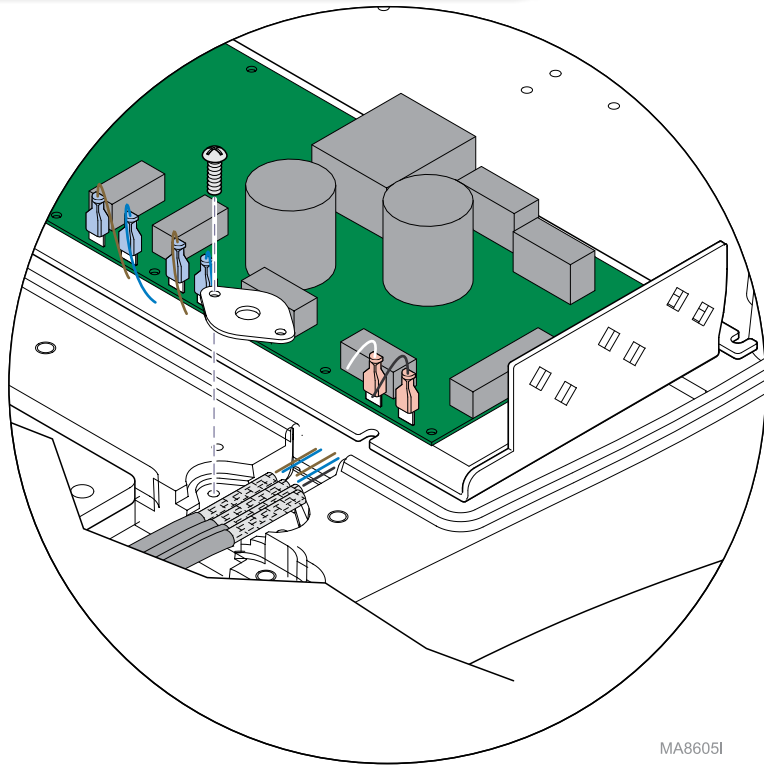
- A) Position limit switch bracket.
- B) Secure bracket with two screws.

**Step 13: Connect wiring / install cover / shrouds.**

- A) Route actuator wiring thru chair.
- B) Connect all wiring to PC board. Refer to above note.
- C) Install PC board cover.
- D) Install shrouds and cladding.

**Models w/ Grounding Plate:**

To ensure proper ground, the metal braided insulation on the actuator wires must be in direct contact with the grounding plate.



**Models w/o Grounding Plate:**

Separate the strands of the braided insulation on actuator wires.  
Twist the strands together.  
Connect the ground wire (provided) as shown.  
Connect ground wire to base casting w/screw (provided).

