

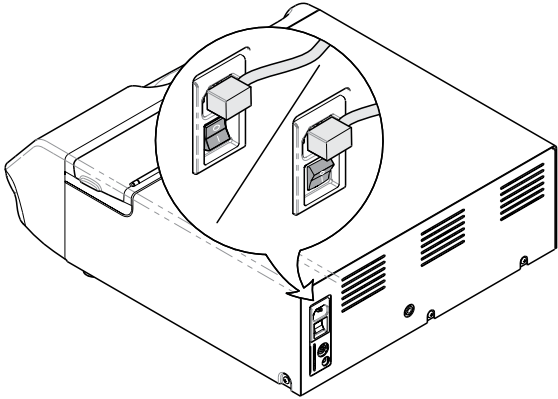


M3 Front Cover Upgrade Kit [002-1485-0x]

- Components:**
Front Cover..... 1
- Special Tools:**
Magnetic tip Phillips screwdriver

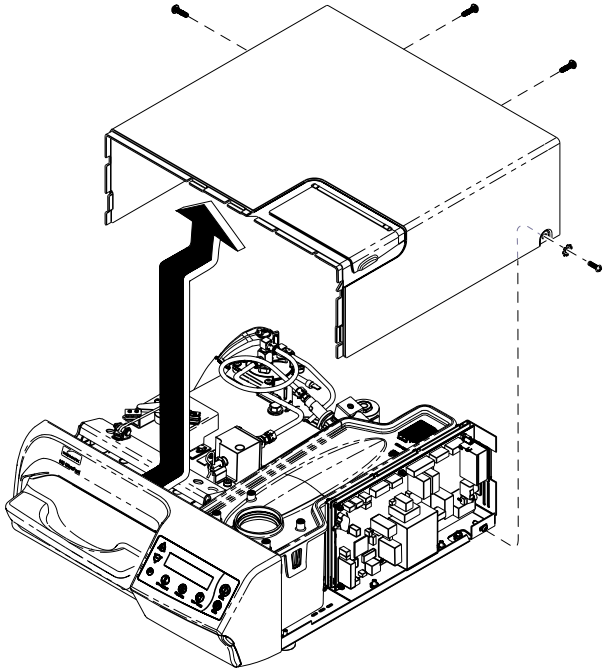


WARNING
Power unit off and unplug from outlet to prevent electrical shock.



Step 1:
A) Power unit off by using switch.
B) Unplug unit from wall outlet.

Step 2:
Remove four screws (two from back and one from each side) and slide cover back and up.



SA1766i



Equipment Alert

Be careful not to loosen or tighten
Limit Switch adjustment screw.

Step 4:

Remove two screws
from front cover.

Step 5:

Disconnect display harness
from J15 on main PC Board.

Step 6:

Remove front panel, pry outward on
each side to release snap fittings
and tilt forward.

SA17671

Step 7:

Reverse steps for installation.

Step 3:
Remove door / tray
from unit.

