

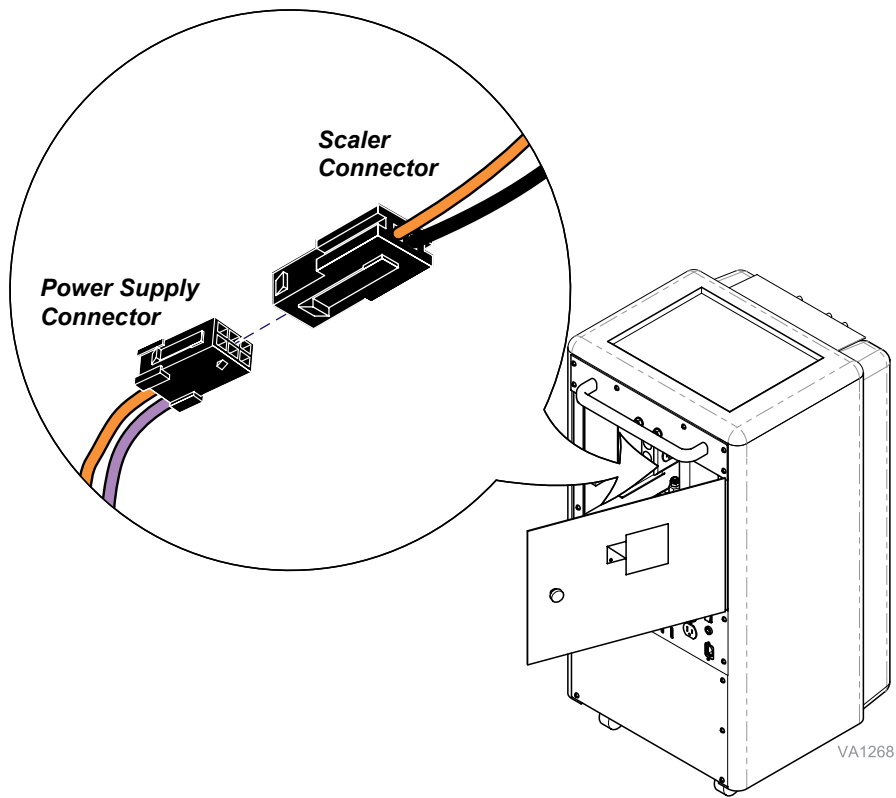


Scaler Tubing Replacement

[002-1498-00 (Standard), 002-1499-00 (LED)]

- Components:**
Tubing 1
Barbed Fitting 1
- Special Tools:**
none

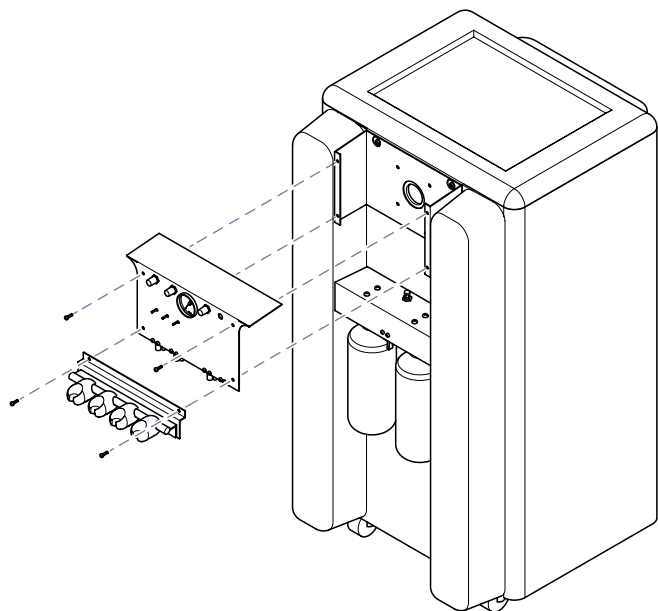
Step 1: Turn off unit. Unplug from wall outlet.



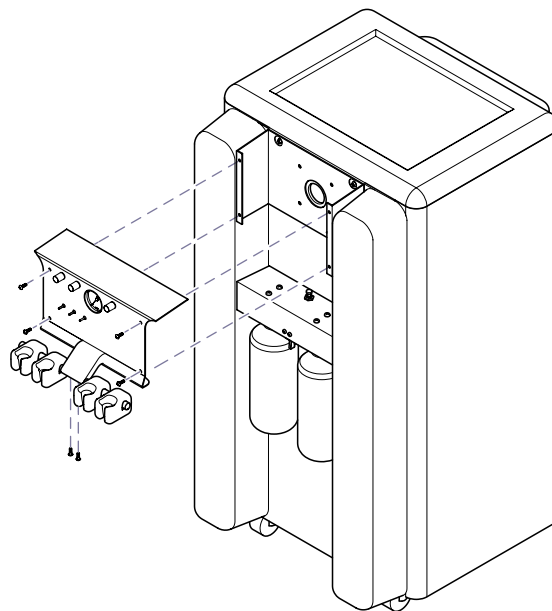
Step 2: Open back door.
Disconnect scaler wire harness (Orange/Black wires) connector from scaler power supply.

Step 3: Remove delivery panel.

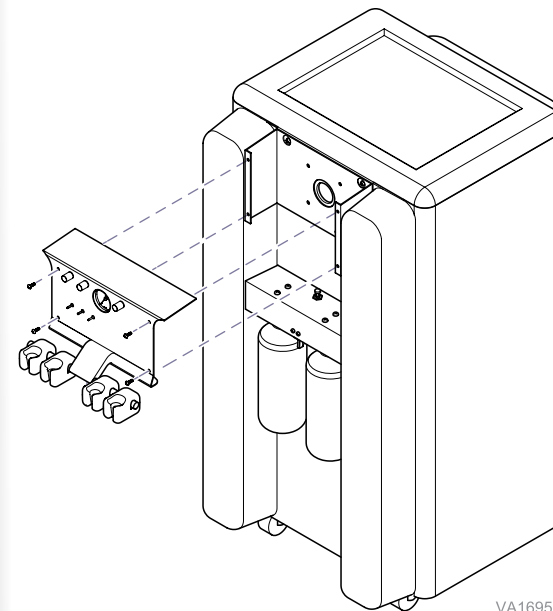
Note: Verify which version you have by the serial number sequences.



TGC001000 Thru TGC001254



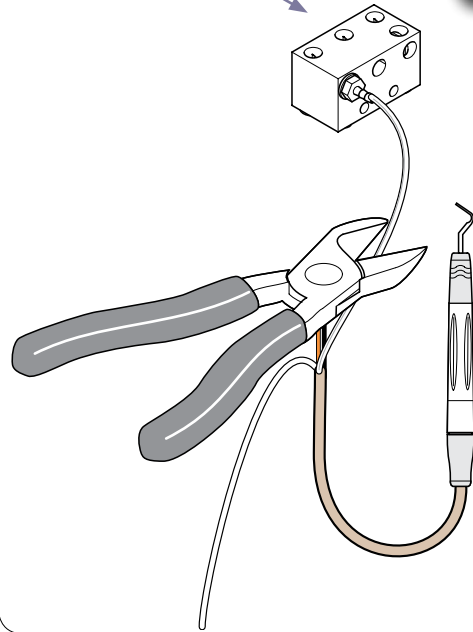
V796868 Thru V1043397



VA1695

V1043398 Thru Present

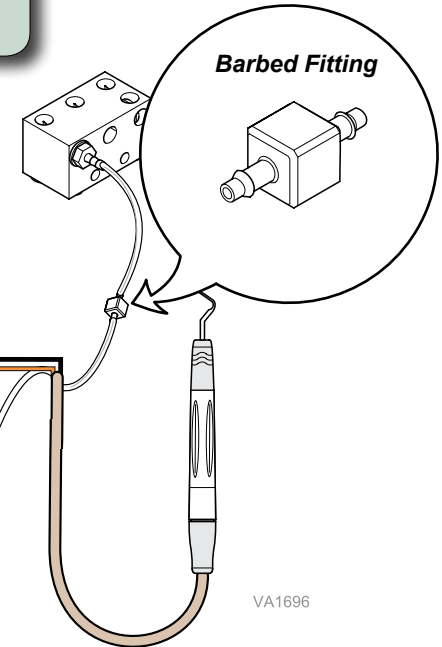
Manifold



Step 4: Cut scaler clear tubing 2 inches from manifold block.
Connect original tubing (2 inch end) to one side of barbed fitting supplied with kit.
Connect new clear tubing to opposite side of barbed fitting.

Barbed Fitting

Tether



Equipment Alert

It is extremely important the tether receives all the tension, allowing the tubing and wire harness to stay in slack.

Step 4: Tuck excess tubing around the back of manifold.
Wrap tether from tubing around bracket (wrap around manifold on units without bracket). Cut off excess tether.
Replace delivery panel.
Install new wire harness connector to scaler power supply.
Connect power and test scaler.

