

Cuspidor Control Board Kit [002-1594-00]

Components:
 PC Board..... 1
 Language of origin: English

Note
 Record any cuspidor program settings, so these settings can be reprogrammed after installation.

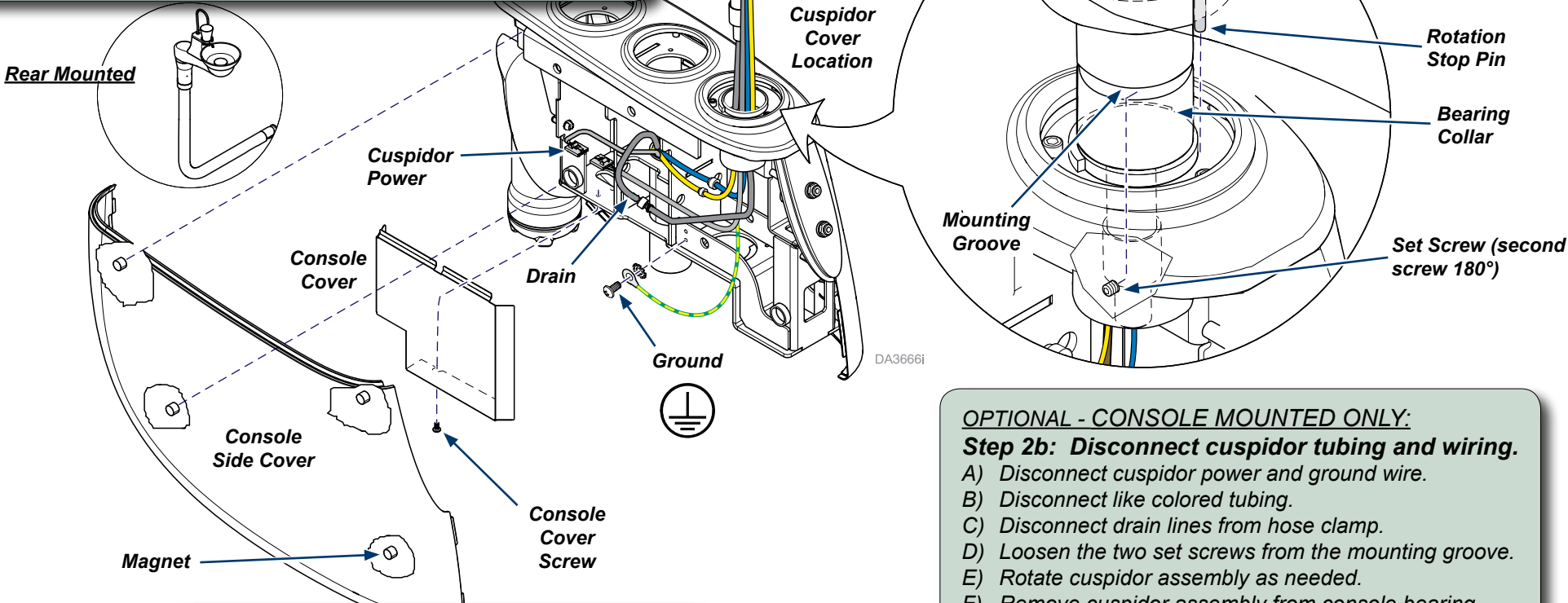
Step 1: Prepare for installation.
 A) Position chair to comfortable working height.

WARNING
 Always disconnect power from the chair before removing any covers. Failure to do so may result in personal injury.

B) Turn the Master Switch OFF and disconnect power from chair.
 C) Remove cuspidor bowl and tubes.

OPTIONAL - CONSOLE MOUNTED ONLY:
Step 2a: Remove console covers.
 A) Remove any console covers and screws.

Tip: Console covers fit up under a lip at the top, pull out from bottom, then down to remove.



Step 2: Remove cuspidor cover.
 A) Remove cuspidor cover (press tab in) for access.

OPTIONAL - CONSOLE MOUNTED ONLY:
Step 2b: Disconnect cuspidor tubing and wiring.
 A) Disconnect cuspidor power and ground wire.
 B) Disconnect like colored tubing.
 C) Disconnect drain lines from hose clamp.
 D) Loosen the two set screws from the mounting groove.
 E) Rotate cuspidor assembly as needed.
 F) Remove cuspidor assembly from console bearing.

TP200 Rev. A

Step 3: Remove cuspidor PC Board.

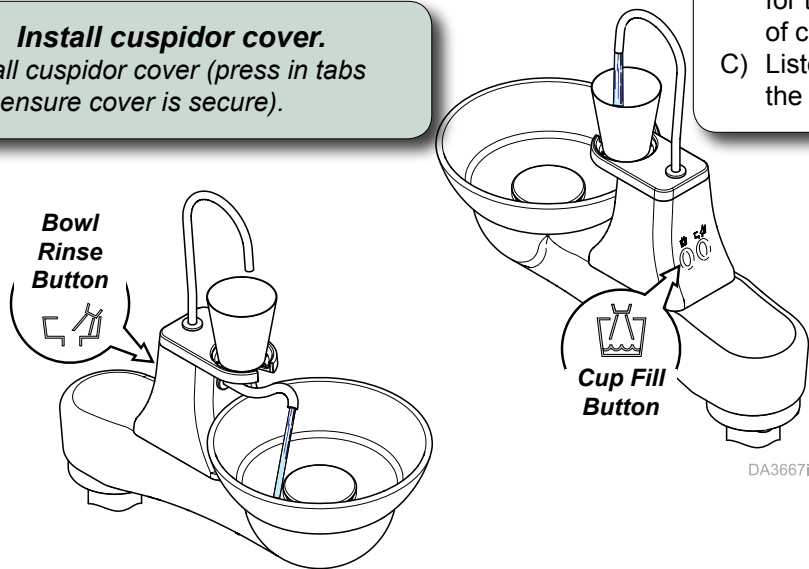
- Label PC board wiring then disconnect from PC Board.
- Squeeze standoffs (four total) to free PC Board.
- Remove PC Board from bracket.

Step 4: Install new cuspidor PC Board.

- Install new PC Board to bracket.
- Connect wiring to PC Board.
- Install cuspidor cover.

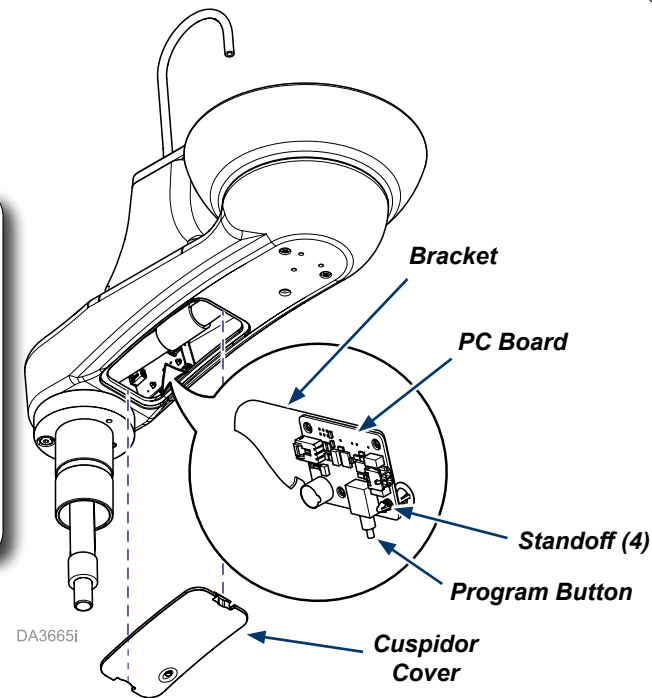
Step 5: Install cuspidor cover.

- Install cuspidor cover (press in tabs and ensure cover is secure).



Program a new time for the cup fill function...

- Press and release program button. Wait to hear a beep to confirm it is in program mode.
- Press and hold cup fill button for the desired amount of cup fill time.
- Listen for two beeps to confirm the program.



Program a new time for the bowl rinse function...

- Press and release program button. Wait to hear a beep to confirm it is in program mode.
- Press and hold the bowl rinse button for the desired amount of bowl rinse time.
- Listen for two beeps to confirm the program.

Step 6: Complete installation.

- Install cuspidor bowl and tubes.
- Connect the power to the chair and turn the Master Switch ON.
- Verify cuspidor operations and reprogram functions as needed (refer to troubleshooting).

OPTIONAL - CONSOLE MOUNTED ONLY:

Step 4a: Connect cuspidor tubing and wiring.

- Route cuspidor tubing, wiring and mounting post into console bearing. Keep rotation stop pin on the open side of the bearing collar.



CAUTION

Connect ground wire to ensure system ground continuity. Failure to do so may result in electric shock.

- Connect cuspidor power and ground wire.
- Connect like colored tubing.
- Connect drain lines from hose clamp.
- Install cuspidor (insert completely into console bearing).
- Tighten the two set screws to the mounting groove to secure.

Note Tightness of set screws determines drag on cuspidor rotation.

- Install console covers and screws.



Because we care.