



Split Retainers Repair Kit [002-10212-00]

Components:

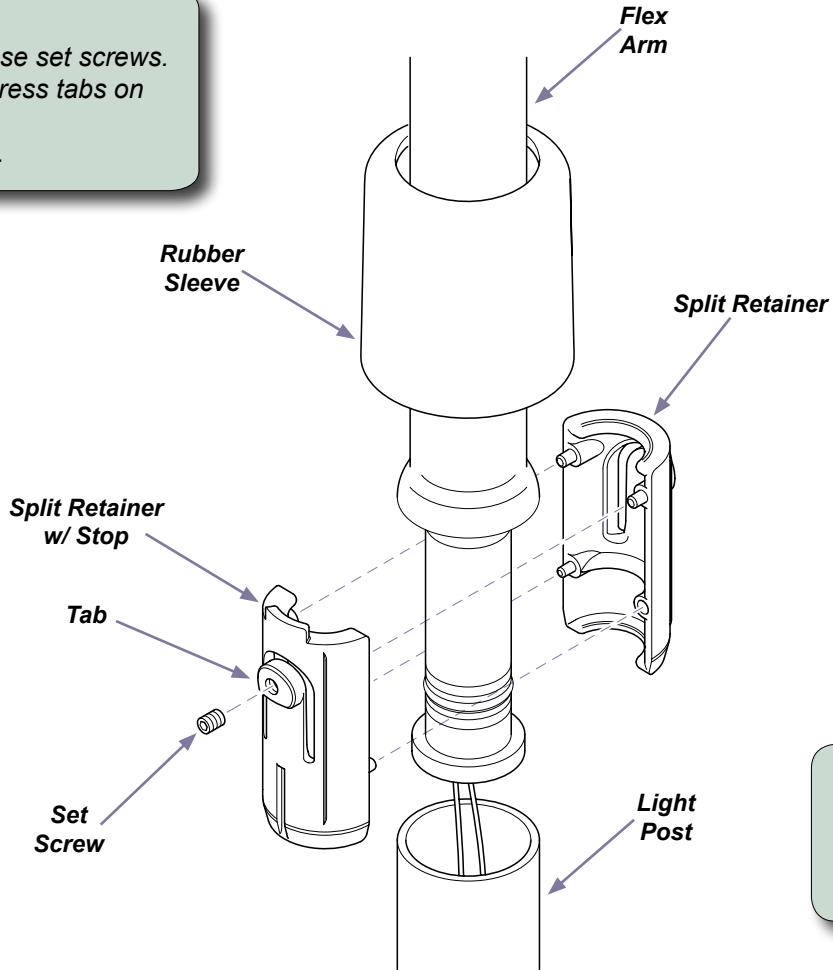
Split Retainer	1
Split Retainer w/ Stop	1
Set Screw	2

Special Tools:
none

Caution
Always disconnect power to light before removing covers or performing any service procedure.

To remove Split Retainers...

- Slide rubber sleeve up to expose set screws.
- Remove two set screws & depress tabs on split retainers inward.
- Lift flex arm out from light post.



To install Split Retainers...

- Install split retainers on flex arm, slide flex arm into light post and secure with two set screws.
- Slide rubber sleeve down to cover set screws.

MA8512i

TP200 Rev. A