



Release Handle Kit [002-1583-0x]

Applies to Models:
272 / 273
276 / 277 / 279

Special Tools:
none

Language of origin: English

To install stool release handle...

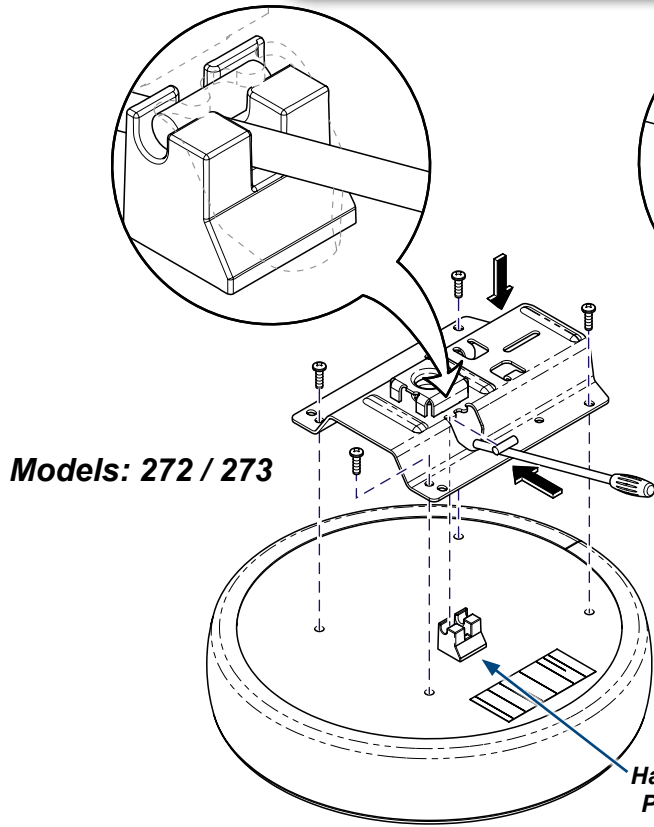
- A) Place handle pivot on seat bottom.
- B) Insert handle through seat base weldment.
- C) Place handle onto handle pivot as shown.
- D) Secure seat base weldment to seat with four screws.

Note: Re-use screws removed from seat bottom.

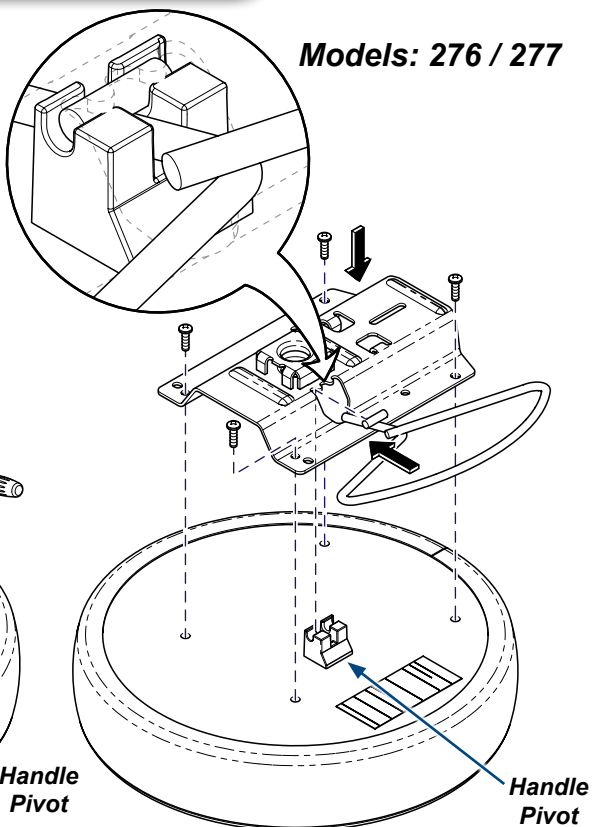
To install 279 stool release handle...

- A) Place handle pivot on seat swivel.
- B) Insert handle through seat base weldment.
- C) Place handle onto handle pivot as shown.
- D) Secure seat base weldment to seat swivel with four bolts and nuts.

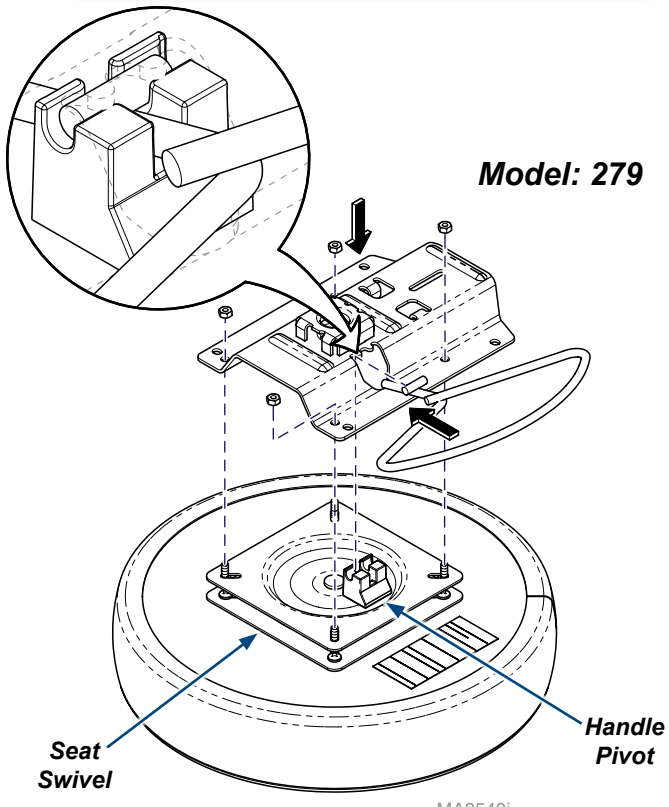
Note: Re-use bolts and nuts removed from seat swivel.



Models: 276 / 277



Model: 279



MA8548i

TP200 Rev. A