



Lift Device
For use with model 244



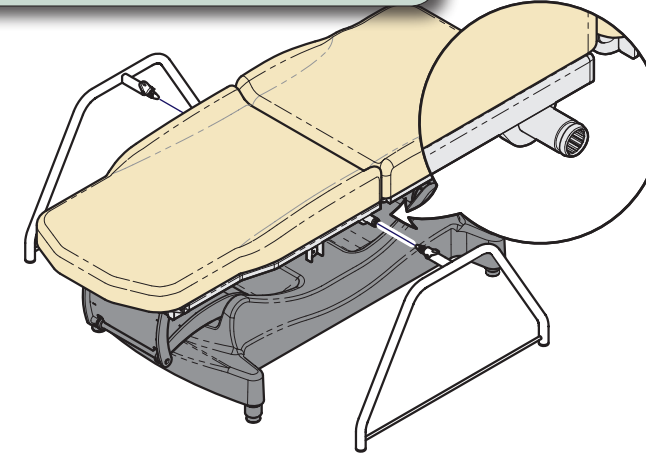
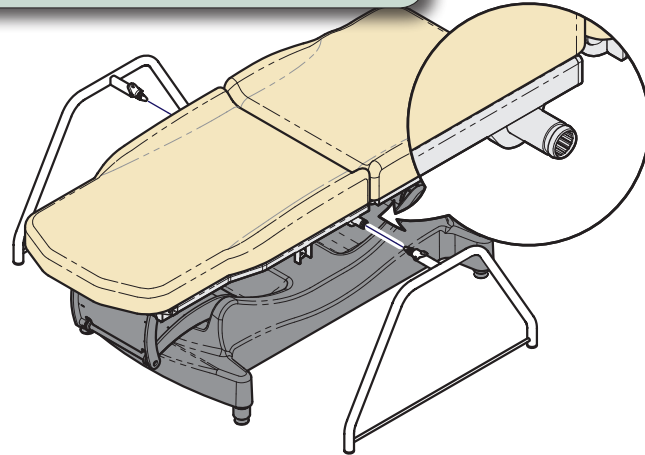
Lift Device
For use with model 244

Step 1:

- A) Press Table Up on hand control to raise table height.
- B) Insert lift device legs into spline receptacles.

Step 1:

- A) Press Table Up on hand control to raise table height.
- B) Insert lift device legs into spline receptacles.



Caution

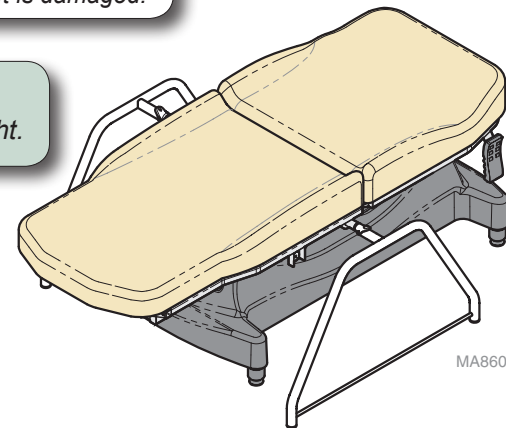
Ensure Lift Device is secure before lifting table.
Do not use if table is damaged or table lift is damaged.



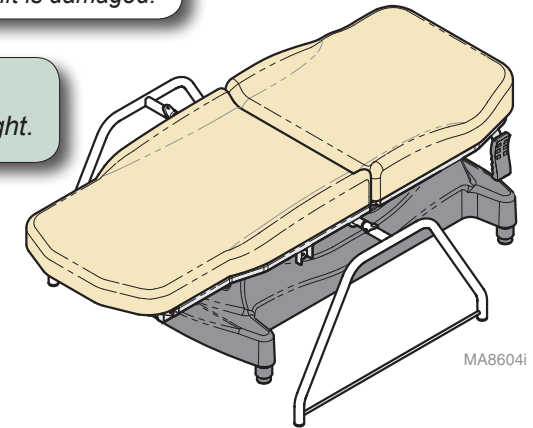
Caution

Ensure Lift Device is secure before lifting table.
Do not use if table is damaged or table lift is damaged.

- Step 2:** Press Table Down on hand control to lift the table base to desired height.

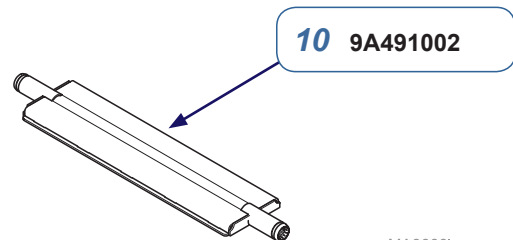
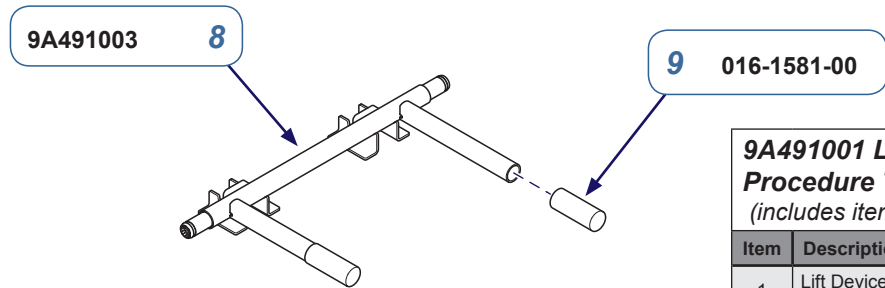
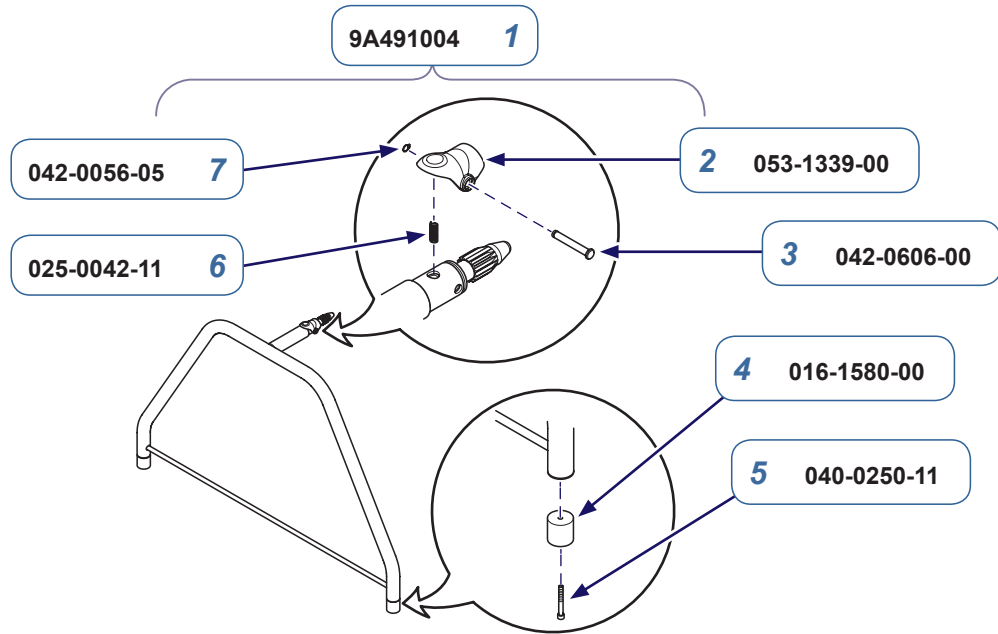


- Step 2:** Press Table Down on hand control to lift the table base to desired height.





Lift Device Parts List



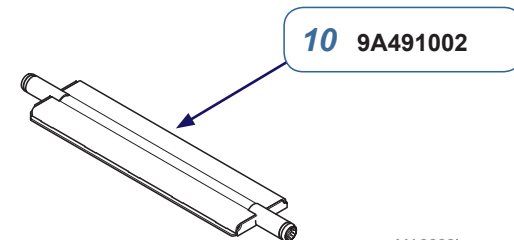
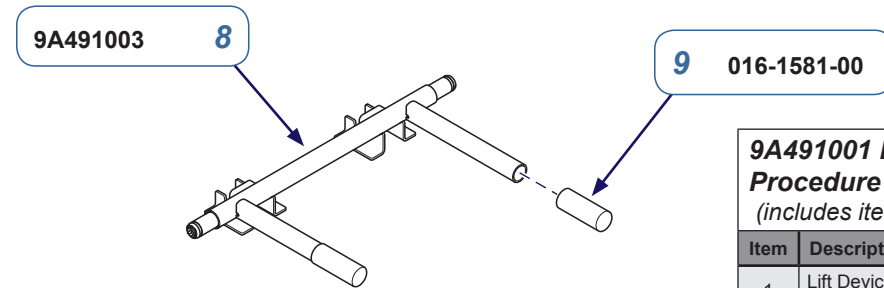
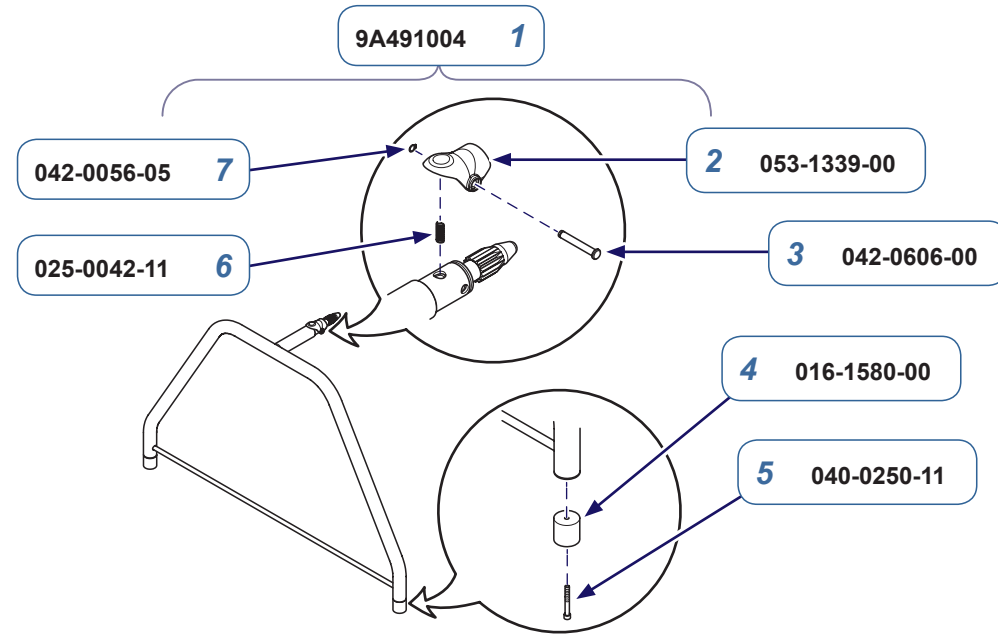
MA8666i

**9A491001 Lift Device
Procedure Table & Exam Table
(includes items 1 thru 10)**

Item	Description	Qty.
1	Lift Device (includes items 2 thru 7)	2
2	• Retainer Clip	1
3	• Clevis Pin	1
4	• Protective Foot	2
5	• Socket Head Cap Screw	2
6	• Compression Spring	1
7	• Retaining Ring	1
8	Exam Table Cross Member (includes item 9)	1
9	• Vinyl Cap	2
10	Procedure Table Cross Member	1



Lift Device Parts List



MA8666i

**9A491001 Lift Device
Procedure Table & Exam Table
(includes items 1 thru 10)**

Item	Description	Qty.
1	Lift Device (includes items 2 thru 7)	2
2	• Retainer Clip	1
3	• Clevis Pin	1
4	• Protective Foot	2
5	• Socket Head Cap Screw	2
6	• Compression Spring	1
7	• Retaining Ring	1
8	Exam Table Cross Member (includes item 9)	1
9	• Vinyl Cap	2
10	Procedure Table Cross Member	1