



Ultra Chair Control 12:00 Unit Kit [002-1620-0x]

Contents:

- Installation 1
- Harness Identification..... 3
- Kit Parts List 4

Language of origin: English

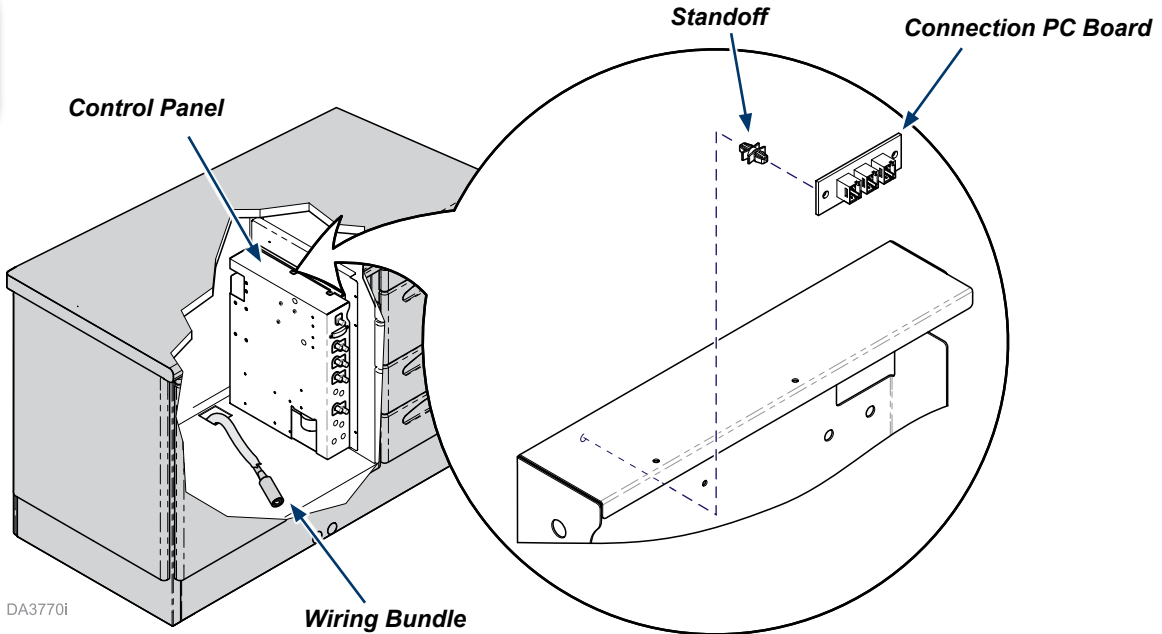
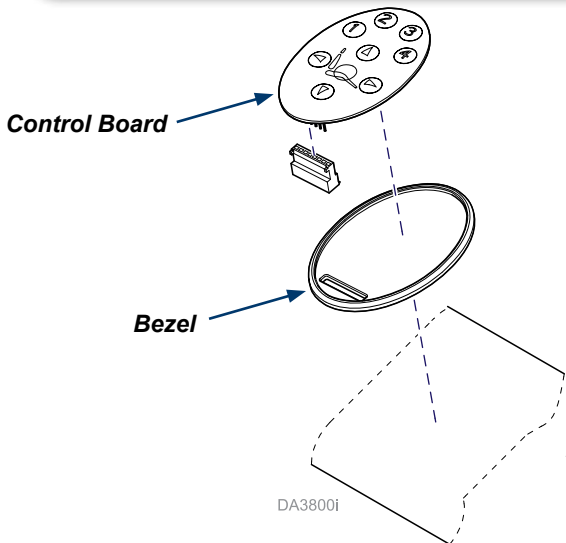
Note
 This Ultra / Procenter connection PC board enables cabinet and wall mounted delivery unit touch pads (Doctor's and Assistant's units as applicable) to control an Ultra Chair.

WARNING
 Always disconnect power source before removing any covers.
 Failure to do so may result in personal injury.

Step 1: Access delivery system control panel.
 A) Slide out control panel inside cabinet enclosure for access.

Dr. or Dr. and Assistant Units ONLY
Step 2: Install PCB.
 A) Assemble connection PC board to panel with standoffs.

Step 3: Install touch control pad.
 A) Remove existing pad and cover (with bezel).
 B) Install new control pad.



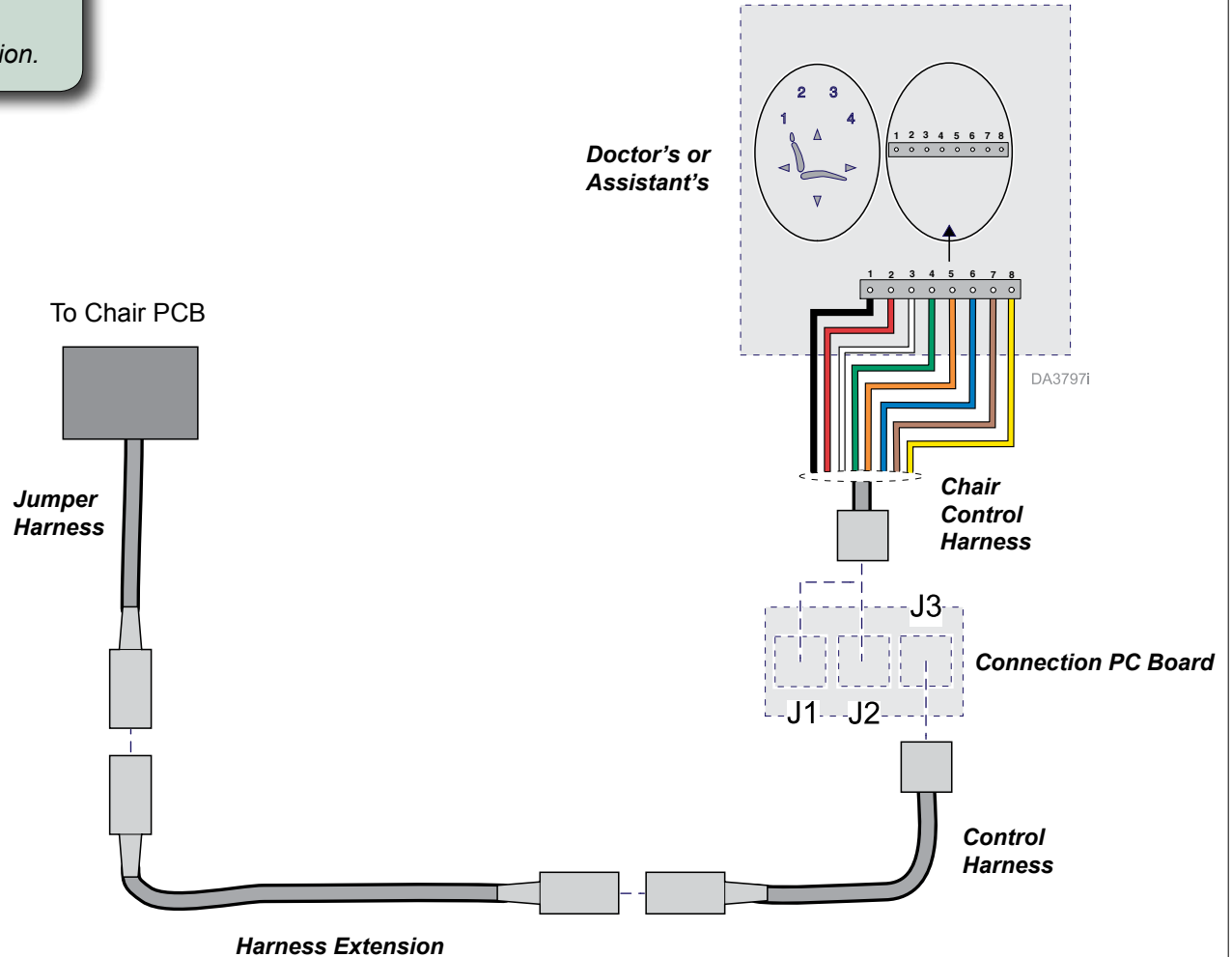
TP200 Rev. A

Step 4: Install wiring harness.

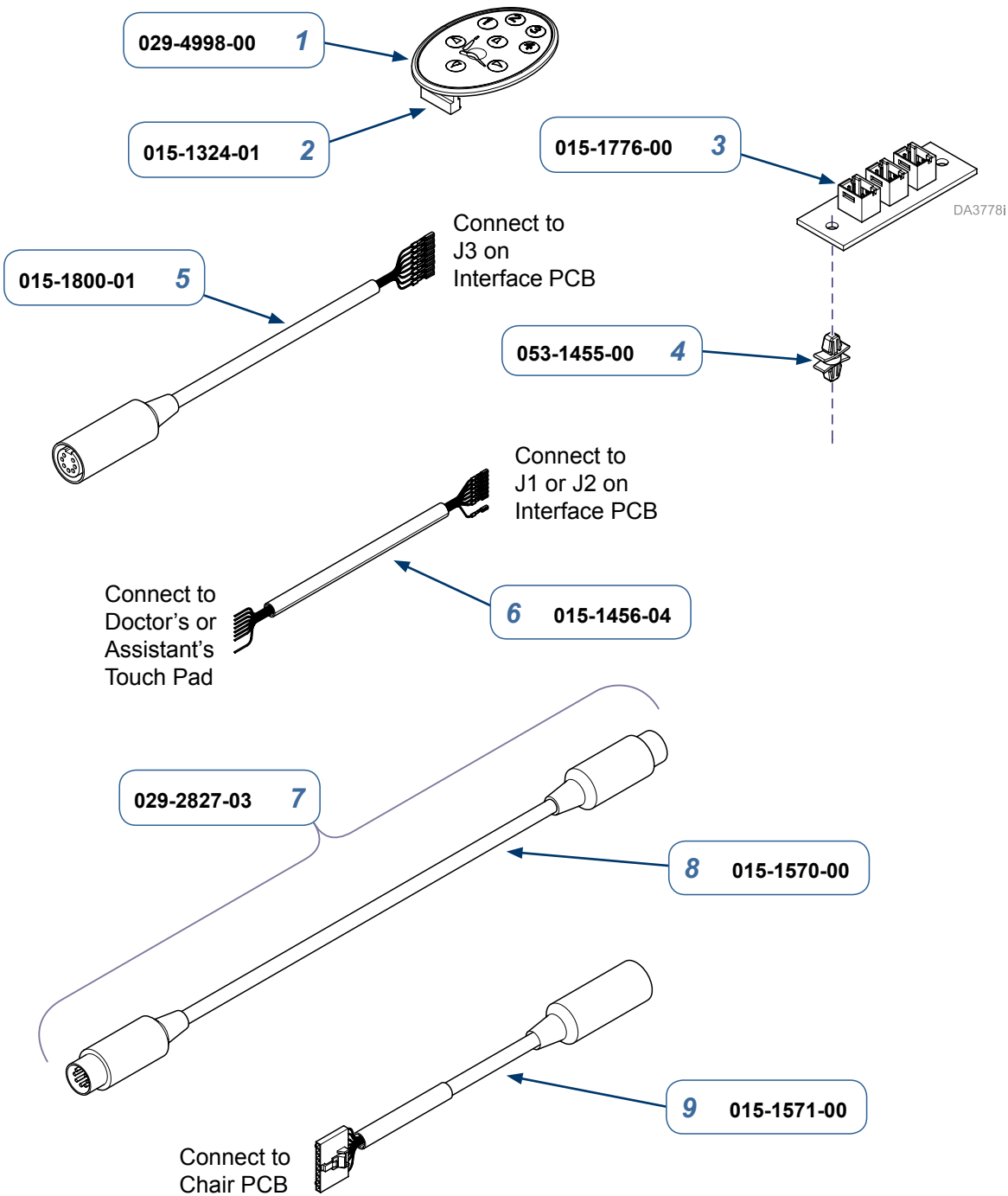
- A) Route new chair control harness through arms.
- B) Connect chair control harness to connection PC board (J1 or J2) and Delivery System Touch Pad.
- C) Connect interface harness to connection PC board (J3) and chair PCB with extension in between these two harnesses.

Step 5: Finalize installation.

- A) Replace all covers.
- B) Connect power source and verify operation.



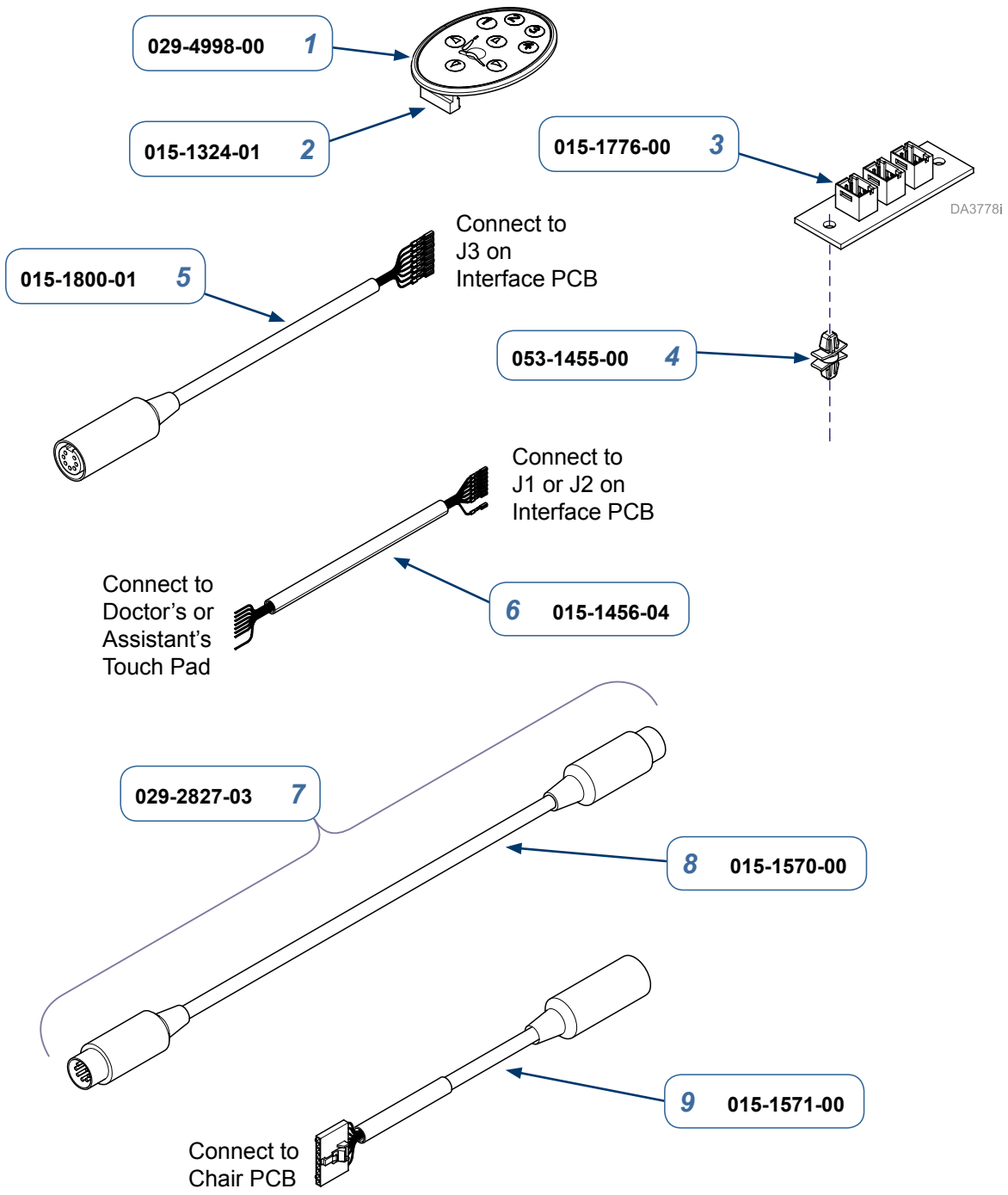
TP200 Rev. A



002-1620-01 (Doctor's and Assistant's) Ultra Chair Control 12:00 Unit Kit
(includes items 1 - 14)

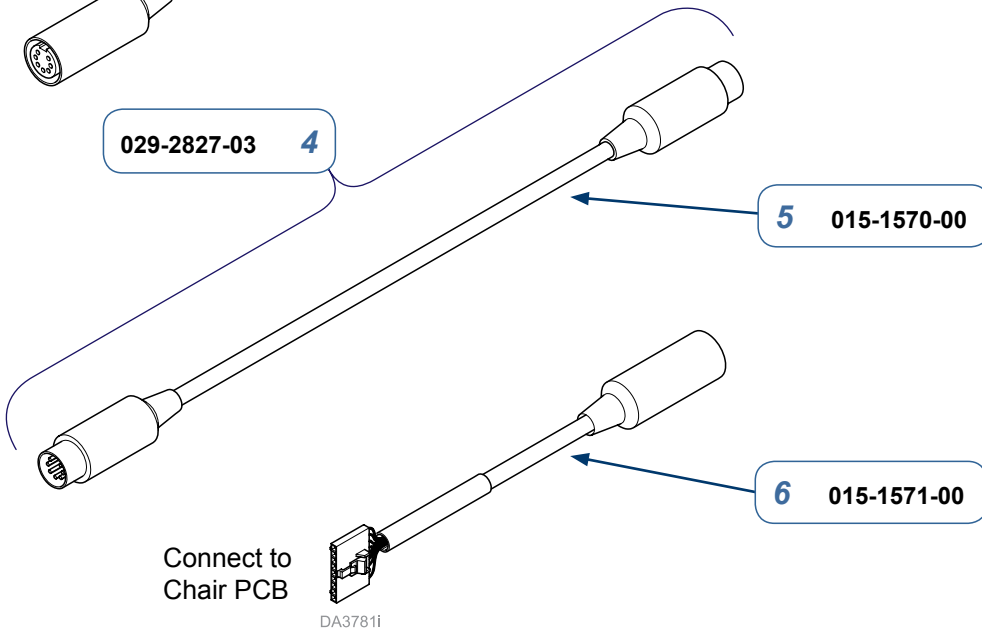
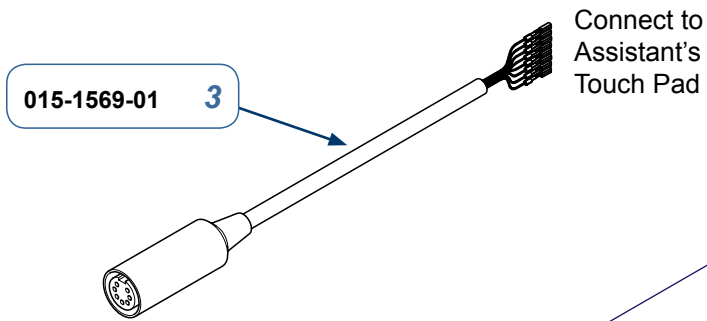
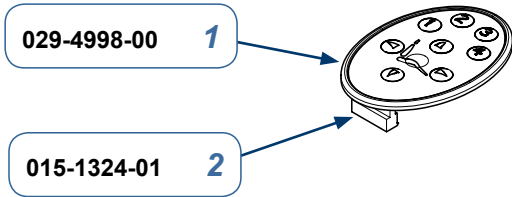
Item	Description	Qty.
1	• Touch Control Pad (RH)	2
2	• IDC Connector	2
3	• PC Board Assembly	1
4	• Standoff	2
5	• Harness (includes connector 015-0865-04)	1
6	• Hand Controller Harness (includes connector 015-0865-04)	2
7	• Hardware Kit (includes Items 7- 9)	1
8	• • PCB Jumper Harness	1
9	• • Extension Harness	1
10	• • Bushing (053-0789-03 - not shown)	1
11	• Cable Tie (102308 - not shown)	6
12	• Instructions (003-2567-00 - not shown)	1
13	• Box (117759 - not shown)	1
14	• Bubble Packing (175539 - not shown)	AR

Serial Numbers: all



002-1620-02 (Doctor's) Ultra Chair Control 12:00 Unit Kit (includes items 1 - 14)		
Item	Description	Qty.
1	• Touch Control Pad (RH)	1
2	• IDC Connector	1
3	• PC Board Assembly	1
4	• Standoff	2
5	• Harness (includes connector 015-0865-04)	1
6	• Hand Controller Harness (includes connector 015-0865-04)	1
7	• Hardware Kit (includes Items 7- 9)	1
8	• • PCB Jumper Harness	1
9	• • Extension Harness	1
10	• • Bushing (053-0789-03 - not shown)	1
11	• Cable Tie (102308 - not shown)	4
12	• Instructions (003-2567-00 - not shown)	1
13	• Box (117759 - not shown)	1
14	• Bubble Packing (175539 - not shown)	AR

Serial Numbers: all



002-1620-03 (Assistant's)
Ultra Chair Control 12:00 Unit Kit
(includes items 1 - 11)

Item	Description	Qty.
1	• Touch Control Pad (RH)	1
2	• IDC Connector	1
3	• Harness	1
4	• Hardware Kit <i>(includes Items 4- 6)</i>	1
5	•• PCB Jumper Harness	1
6	•• Extension Harness	1
7	•• Bushing <i>(053-0789-03 - not shown)</i>	1
8	• Cable Tie <i>(102308 - not shown)</i>	4
9	• Instructions <i>(003-2567-xx - not shown)</i>	1
10	• Box <i>(117759 - not shown)</i>	1
11	• Bubble Packing <i>(175539 - not shown)</i>	AR

Serial Numbers: all