

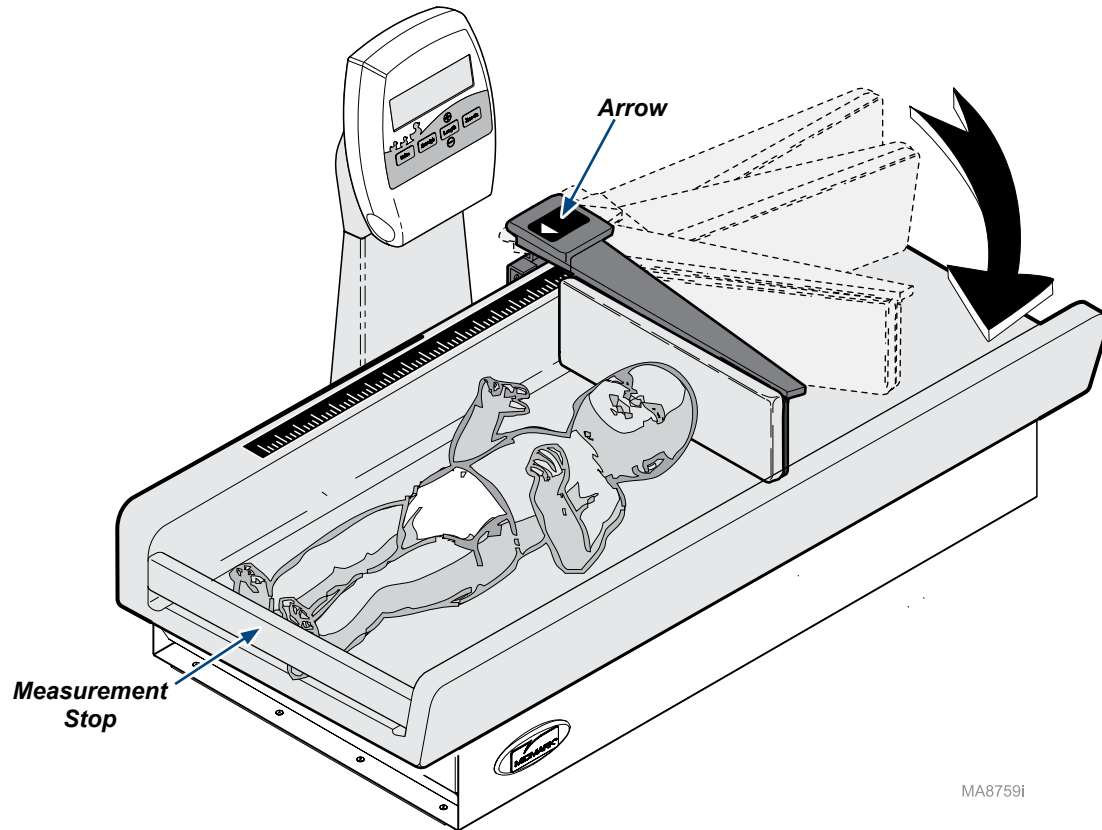


Caution

The maximum patient weight rating for the table is 40 lbs (20 kg).
The maximum patient length rating for the table is 36 in. (91 cm).
The patient on the table must be attended by the doctor / assistant or parent at all times.

To measure patient length...

- A) Lay patient on table with feet against measurement stop and legs extended.
- B) Pivot measuring arm out as shown.
- C) Carefully slide scale arm until it contacts patients head.
- D) Read the measurement at arrow on scale arm.



MA8759I

Maintenance

Periodically inspect the following:

- Power cord must be free of visible damage.
- All fasteners must be present and secure.
- All mechanical functions should operate

Cleaning

Upholstery

Wash your upholstery weekly with a mild liquid soap and water mixture, rinse with clear water and dry completely to remove disinfection cleaner build-up. See current CDC Guideline for Disinfection & Sterilization in Healthcare Facilities.

Disinfect your upholstery with a solution of standard bleach and water mixed 1 in 10 (10%) or chlorine based cleaners. Follow this with a clear water rinse and thorough drying of material.

To minimize damage caused by disinfectant cleaner residue build-up, do not allow disinfectants to pool on the upholstery surface. Once the approved contact time has been obtained, remove and dry excess liquid remaining on the surface.

Detailed care and maintenance instructions are included with your product. This information is also available on www.midmark.com in the Technical library under the User Information tab for your product.

Painted Metal / Plastic Surfaces

Clean the painted metal and plastic surfaces weekly using a clean soft cloth, and mild cleaner. Periodic applications of common furniture wax will ease cleaning, and maintain the finished luster of the surfaces. Use of chlorine based disinfectant can cause damage to the digital display.

Calling for Service

If service is required, contact your Midmark dealer.
To contact Midmark directly:
1-800-MIDMARK (1-800-643-6275)
Monday-Friday 8:00 am until 5:00 pm (EST)

- Français : Référez-vous à www.midmark.com

Midmark Corporation
60 Vista Drive
Versailles, OH 45380-0286
Phone: 937-526-3662
Fax: 937-526-5542
www.midmark.com



Because we care.



Quick Reference Guide 640 Pediatric Examination Table

Model Number:
Serial Number:

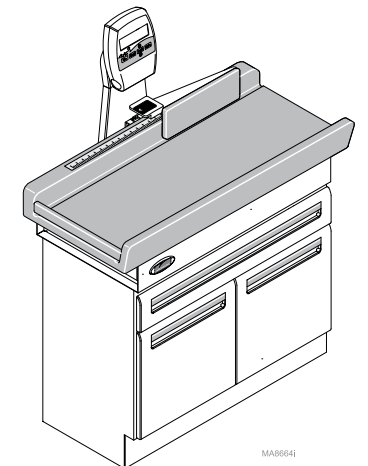
Dealer Information:

Purchase Date:

Upholstery Color:

003-2589-00 Rev C (8/28/15)

This guide outlines basic operation of the table. The enclosed User Guides provides additional instructions on operation and care, as well as regulatory compliance information. If service is required, contact your authorized Midmark dealer.



MA8664



Equipment Alert

Before using the digital scale, verify the scale is measuring accurately using a reference weight of known value. In addition, refer to the Preventive Maintenance Schedule in the User's Guide for the recommended frequency of this check. If the scale is determined to be out of calibration, contact your authorized Midmark service provider before using the scale.

Note

Before positioning patient on exam table, ensure the scale has been zeroed. Failure to do so may affect the measurement of the patients weight.

To zero the scale...

A) Press and release **Zero/On** button.

Note: The display will flash **SCALE rEAdY** then display zeros.



Zero/On Button



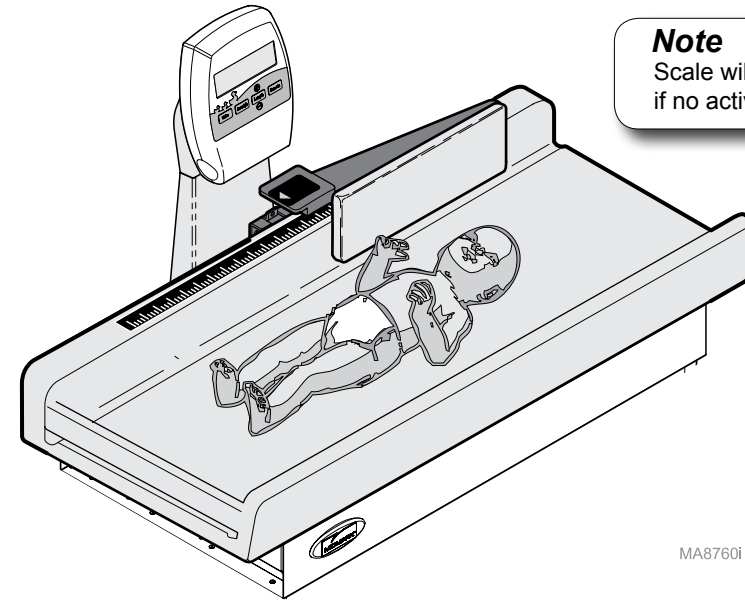
Caution

For accurate weight measurement, refer to Proper Weighing of Patients in the User's Guide.

To weigh a patient...

- A) Press and release **Zero/On** button.
- B) With zeros displayed, position patient in the center of the table top.
- C) Limit movement until "Stable Hold" or "Average Hold" and patient weight are displayed.

Note: Depending on movement of the patient, "Stable Hold" or "Average Hold" will be displayed. If patient motion is prolonged, the reading will average the weight over time for the final reading.



Note

Scale will automatically go into *Sleep Mode* if no activity is detected for 30 seconds.

To reweigh a patient...

A) Press and release the **Reweigh** button.

Note: This will allow a new measurement to be taken without the patient having to be removed from table top.



Reweigh Button