



Veterinary Folding Exam Table

For Models:

8012-00-001

8012-00-XXX

8012*



User's Guide

TP202 Rev. A

Style P

003-2603-00 Rev. EA1 (2/7/18)

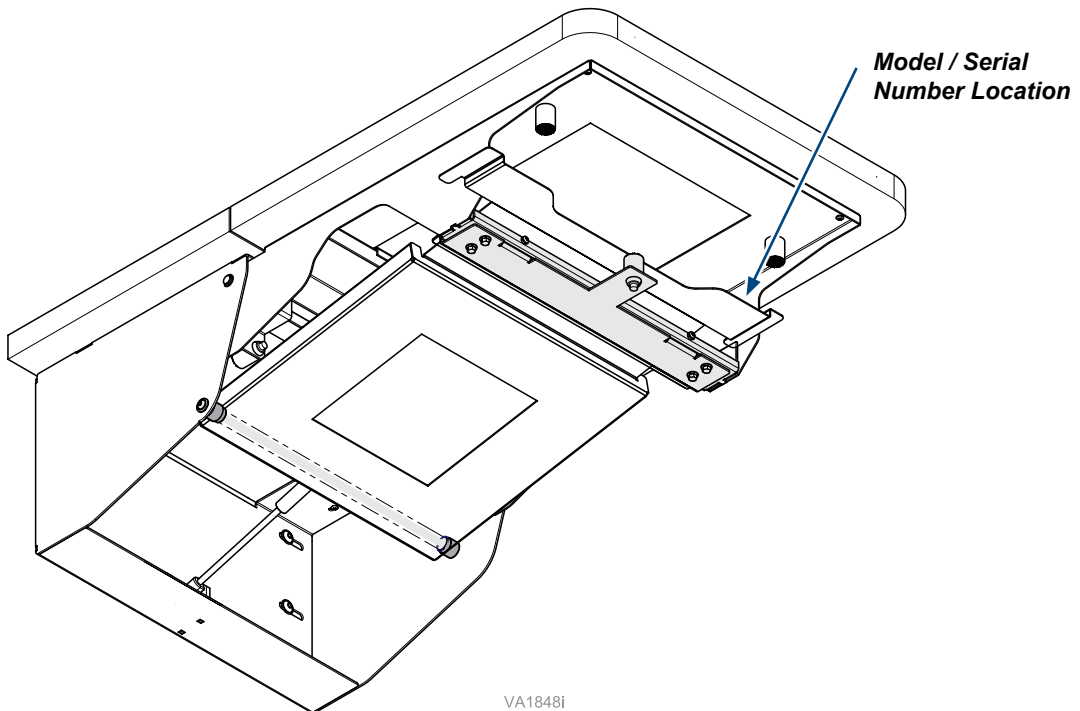
Product Information

Dealer :

Date of Purchase:

Model / Serial Number:

**Midmark Authorized Service
Company:**



VA1848i

Table of Contents

Important Information

<u>Serial Number Location</u>	2
<u>Safety Symbols</u>	4
<u>Product Registration</u>	4
<u>Transportation / Storage Conditions</u>	4
<u>Intended Use</u>	5
<u>Authorized CE Representative</u>	5
<u>Disposal of Equipment</u>	5

Operation

<u>Table Up / Down</u>	6
------------------------------	---

Maintenance

<u>Calling for Service</u>	7
<u>Cleaning</u>	7
<u>Preventative Maintenance</u>	7

Specifications

<u>Weights, Dimensions</u>	8
----------------------------------	---

Warranty

<u>Limited Warranty</u>	9
-------------------------------	---

Important Information

Safety Symbols



DANGER

Indicates an imminently hazardous situation which will result in serious or fatal injury. This symbol is used only in the most extreme conditions.



WARNING

Indicates a potentially hazardous situation which could result in serious injury.



Caution

Indicates a potentially hazardous situation which may result in minor or moderate injury. It may also be used to alert against unsafe practices



Equipment Alert

Indicates a potentially hazardous situation which could result in equipment damage.

Product Registration

To register your product, go to www.midmark.com

Transportation / Storage Conditions

Ambient Temperature Range:..... 41°F to 100°F (5°C to +38°C)
Relative Humidity..... 10% to 90% (non-condensing)
Atmospheric Pressure 500hPa to 1060hPa (0.49atm to 1.05atm)

Intended Use

This product is intended to provide support for small to medium sized patients during general examinations, minor procedures, and preparatory procedures conducted by qualified veterinary professionals in both office and hospital environments. This product is for veterinary use only.

Authorized EU Representative

Countries in the EU should direct all questions, incidents, and complaints to Midmark's Authorized EU representative listed below.

Midmark EMEA Ltd
Beech House
First Floor, East Wing
Ancells Business Park
Fleet
Hampshire
United Kingdom
Tel: + 44 (0) 1252 360 940
Fax: + 44 (0) 1252 360 941

Disposal of Equipment

At the end of product life, the table, accessories, and other consumable goods may become contaminated from normal use. Consult local codes and ordinances for proper disposal of equipment, accessories and other consumable goods.

Operation

Table Up / Down



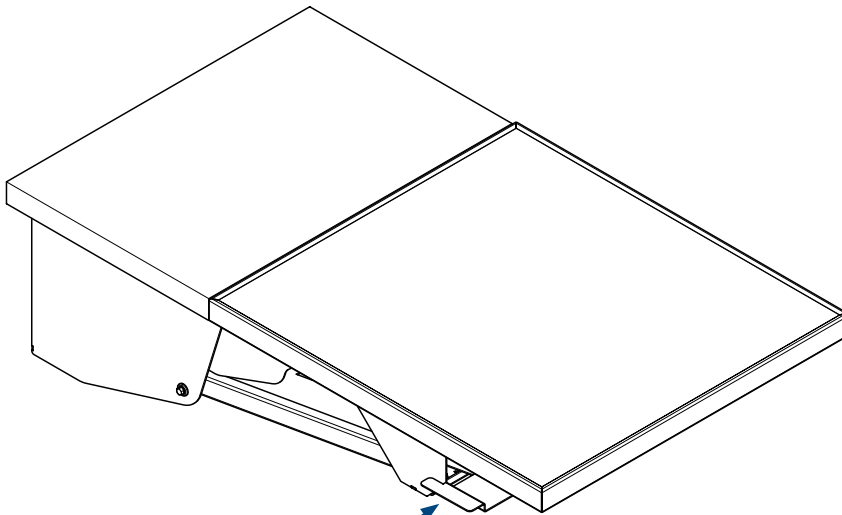
Caution

*Keep clear of table sections when moving table to prevent pinching.
Do not disengage table with patient on board.*

To move the table up or down...

- A) *Lift locking arm handle (on either side) to allow table to go down.*
- B) *Lift up the table top to raise table top.*

Note: A minimal amount of force is required to push table down.



Locking Arm
Typical Both Sides

VA18571

Maintenance

Calling for Service

Note

Model / serial number information is required when calling for service.

If service is required, contact your authorized Midmark dealer.

To contact Midmark directly:

1-800-MIDMARK (1-800-643-6275)

8:00 am until 5:00 pm Monday - Friday (EST)

www.midmark.com

Cleaning

Painted Metal / Plastic Surfaces

Clean the painted metal and plastic surfaces weekly using a clean soft cloth, and mild cleaner.

Periodic applications of common furniture wax will ease cleaning, and maintain the finished lustre of the surfaces.

Stainless Steel Surfaces:

For best results, stainless steel should be cleaned weekly or whenever films or deposits become apparent. Use a mild cleaning agent and whenever possible rinse thoroughly and towel dry. More stubborn deposits or tightly adhering debris may require vigorous rubbing or brushing. If a commercial cleaner needs to be used, make sure it is approved for use on stainless steel surfaces.



Equipment Alert

Always use nylon or plastic bristle scrubbers. The use of steel wool or steel brushes may cause steel particles to become embedded in the surfaces and will cause rust.

Avoid prolonged surface exposure to chlorides, bromides, iodides and thiocyanates. Salty solutions allowed to evaporate on stainless steel surfaces may cause pitting, corrosion or metal discoloration.

Preventative Maintenance

Periodically inspect the following areas:

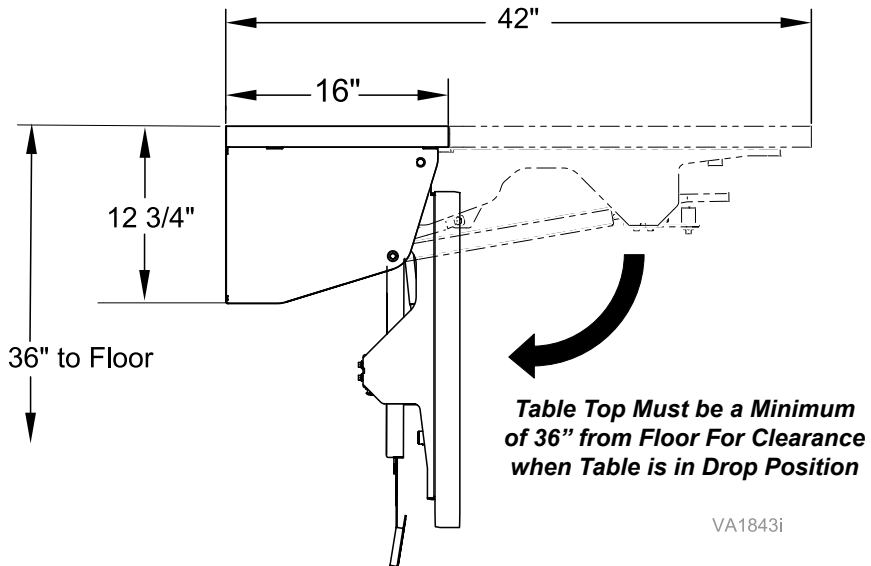
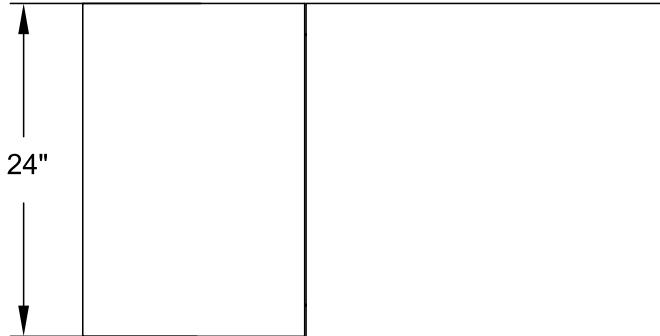
- All fasteners should be in place and tightened securely.
- All mechanical functions should operate properly.

Specifications

Specifications Chart

Patient Weight (max):

125 lbs. (56.7 kg)



VA1843i

Warranty Information

SCOPE OF WARRANTY Midmark Corporation ("Midmark") warrants to the original retail purchaser that it will repair or replace components of the animal health products manufactured by Midmark (except for products and components not warranted under "Exclusions") that are defective in material or workmanship under normal use and service. The sole remedy under this limited warranty is the repair or replacement, at Midmark's option, of the applicable products or components. This limited warranty shall only apply to defects that: (i) are reported to Midmark within the applicable warranty period; and (ii) are determined to exist upon examination by Midmark. This limited warranty extends only to the original retail purchaser of a product, and is not transferable or assignable.

APPLICABLE WARRANTY PERIOD The applicable warranty period, measured from the date of invoice to the original retail purchaser of the product and shall be one (1) year for all warranted products and components.

OBTAINING WARRANTY SERVICE Warranty service must be obtained through either Midmark or an authorized dealer in the Midmark product line for which warranty service is requested. Midmark may be contacted for warranty service inquiries or issues via email at www.midmark.com, by mail to Midmark Corporation, 60 Vista Drive, Versailles, Ohio 45380, or by phone at: 1-800-MIDMARK.

It is the retail purchaser's obligation to arrange for delivery of a product to Midmark or one of its authorized dealers for warranty service, which delivery shall be at retail purchaser's expense. It is also the retail purchaser's obligation to comply with the warranty service instructions provided either by Midmark or its authorized dealer. The retail purchaser must provide Midmark with completed warranty registration information within thirty (30) days after purchase in order to obtain the benefits of this limited warranty.

EXCLUSIONS This limited warranty does not cover and Midmark shall not be liable for the following:

- (1) defects, damage or other conditions caused, in whole or in part, by misuse, abuse, negligence, alteration, accident (including animal acts of any kind), freight damage, tampering or failure to seek and obtain repair or replacement in a timely manner;
- (2) matching of color, grain or texture except to commercially acceptable standards;
- (3) changes in color caused by natural or artificial light;
- (4) products which are not installed, used and properly cleaned and maintained as required in the installation and operation manuals for the applicable product (imaging product must be installed by a certified Midmark installer);
- (5) products considered to be of a consumable nature;
- (6) accessories or parts not manufactured by Midmark;
- (7) specially manufactured products;
- (8) charges by anyone (including Midmark's authorized dealers) for adjustments, repairs, replacement parts, installation or other work performed upon or in connection with such products which are not expressly authorized in writing in advance by Midmark;
- (9) costs and expenses of routine maintenance and cleaning;
- (10) all sinks, faucets and plumbing accessories;
- (11) representations and warranties made by any person or entity other than Midmark; and
- (12) with respect to software that is a product or a component thereof, that the software will be error free, can be used without problems or interruptions, or will be free from vulnerability to intrusion or attack by viruses or other methods.

EXCLUSIVE REMEDY; CONSEQUENTIAL DAMAGES DISCLAIMER Midmark's only obligation under this limited warranty is the repair or replacement of defective parts. Midmark shall not be liable for and hereby disclaims any direct, special, indirect, incidental, exemplary or consequential damages or delays including, but not limited to, damages for loss of profits or income, loss of use, downtime, cover, and employee or independent contractor wages, payments and benefits. This disclaimer shall survive any failure or asserted failure of the essential purpose of this limited warranty or its remedies specified herein.

NO AUTHORIZATION No person or firm is authorized to create or approve for Midmark any other obligation or liability in connection with Midmark products.

WARRANTY DISCLAIMER: THIS LIMITED WARRANTY IS MIDMARK'S ONLY WARRANTY AND IS IN LIEU OF ALL OTHER WARRANTIES, EXPRESS OR IMPLIED. MIDMARK MAKES NO IMPLIED WARRANTIES OF ANY KIND INCLUDING ANY IMPLIED WARRANTIES OF MERCHANTABILITY OR FITNESS FOR A PARTICULAR PURPOSE.

Warranty Information cont..

STATUTE OF LIMITATIONS No action may be brought against Midmark for breach of this limited warranty, an implied warranty, if any, or for any other claim arising out of or relating to the products, more than ninety (90) days following expiration of the warranty period. In the event multiple warranty periods exist with respect to a product, the ninety (90) day period provided for herein shall begin to run from expiration of the warranty period for the component to which the claim relates.

SEVERABILITY In the event any provision of this limited warranty is determined to be invalid or otherwise unenforceable: (i) the provision shall be enforced in a manner that closest holds to its intent, while at the same time curing the invalidity or unenforceability, and (ii) the balance of this limited warranty, being severable, shall not be affected in the event the provision that is invalid or unenforceable cannot be enforced in any respect.

Notes:

Midmark Corporation

60 Vista Drive

Versailles, OH 45380 USA

1-800-643-6275

1-937-526-3662



Because we care.