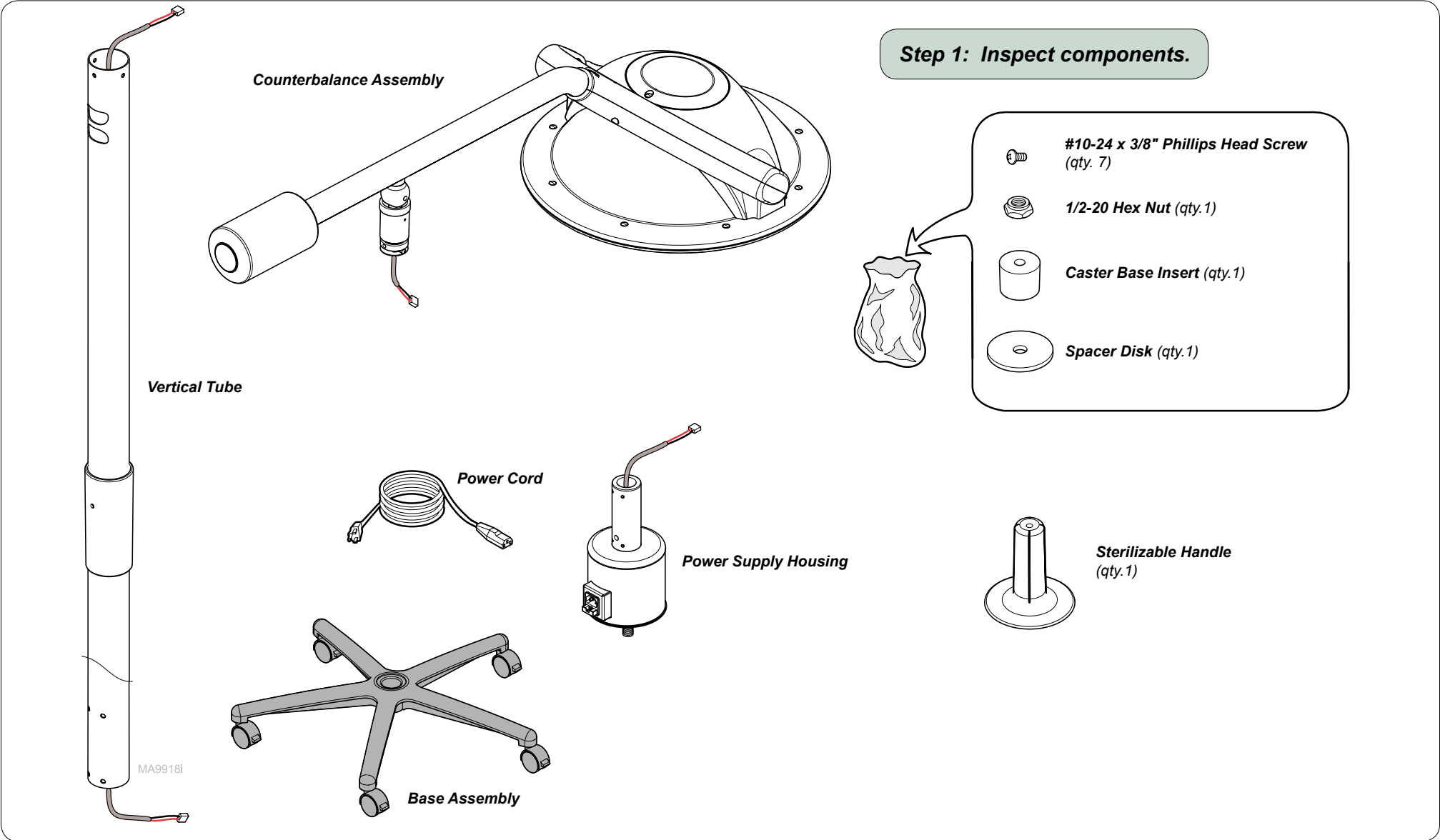


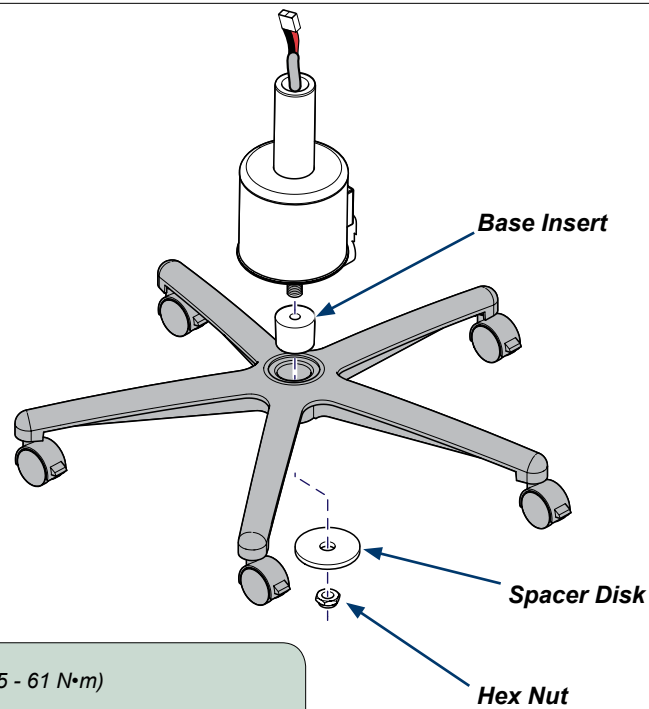


255 Mobile Light Setup Guide

Applies to Models:
255 (-005 / -007 (w/o cord);
-025 / -027 (w/o cord))

Special Tools:
Torque wrench

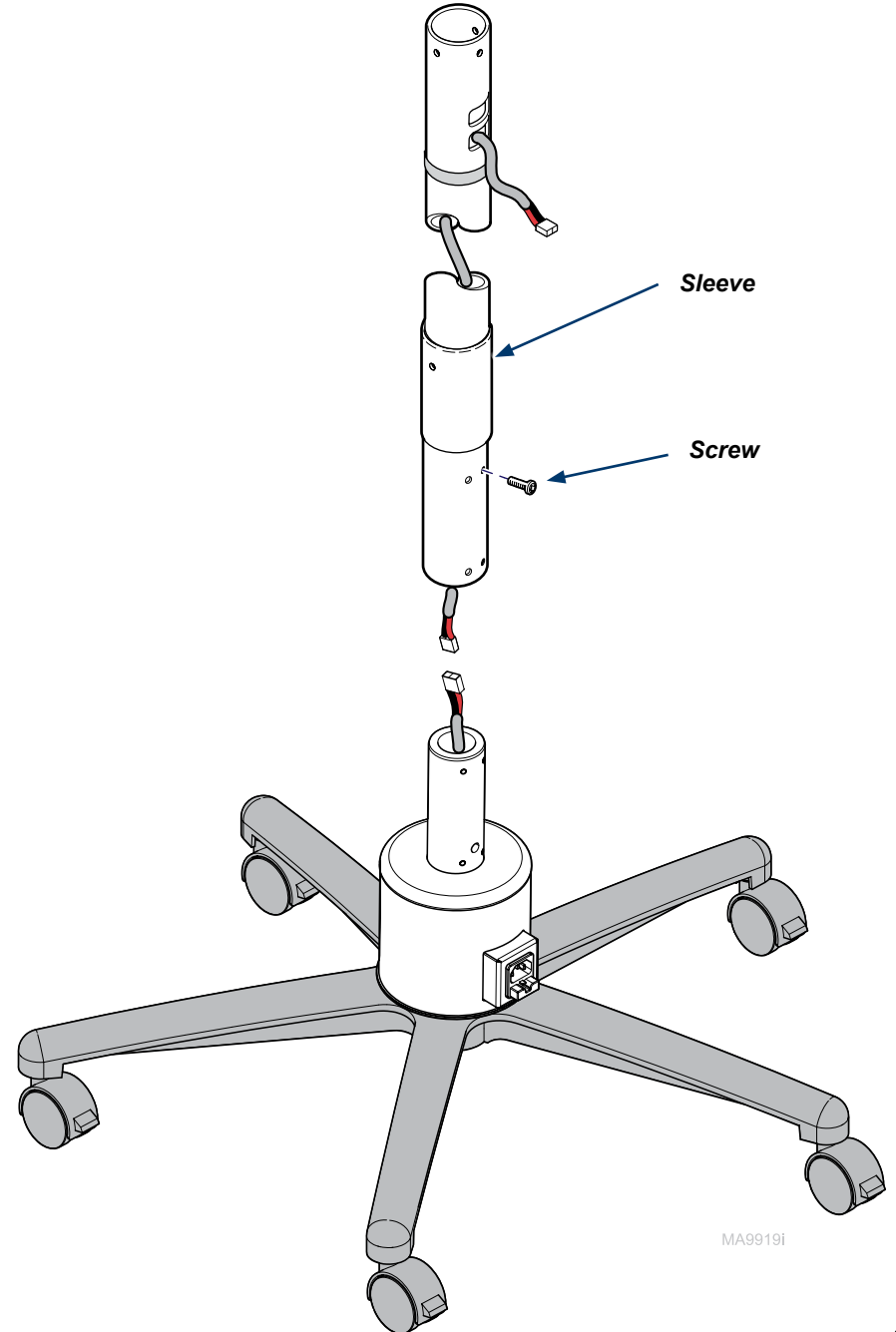




Note: Tighten nut to 35 - 45 ft-lb (47.5 - 61 N•m)

Step 2: Install power supply housing.

- A) Place base insert and spacer disk on base.
- B) Secure power supply housing to base with hex nut.



Step 3: Install vertical tube.

- A) Remove tape securing wires, then feed wires through bottom of vertical tube.
- B) Slide sleeve onto vertical tube.
- C) Connect wires from vertical tube to corresponding wires from power supply housing.
- D) Slide vertical tube onto mounting tube of power supply housing.
- E) Secure vertical tube with four #10-24 x 3/8" hex screws.

MA9919i

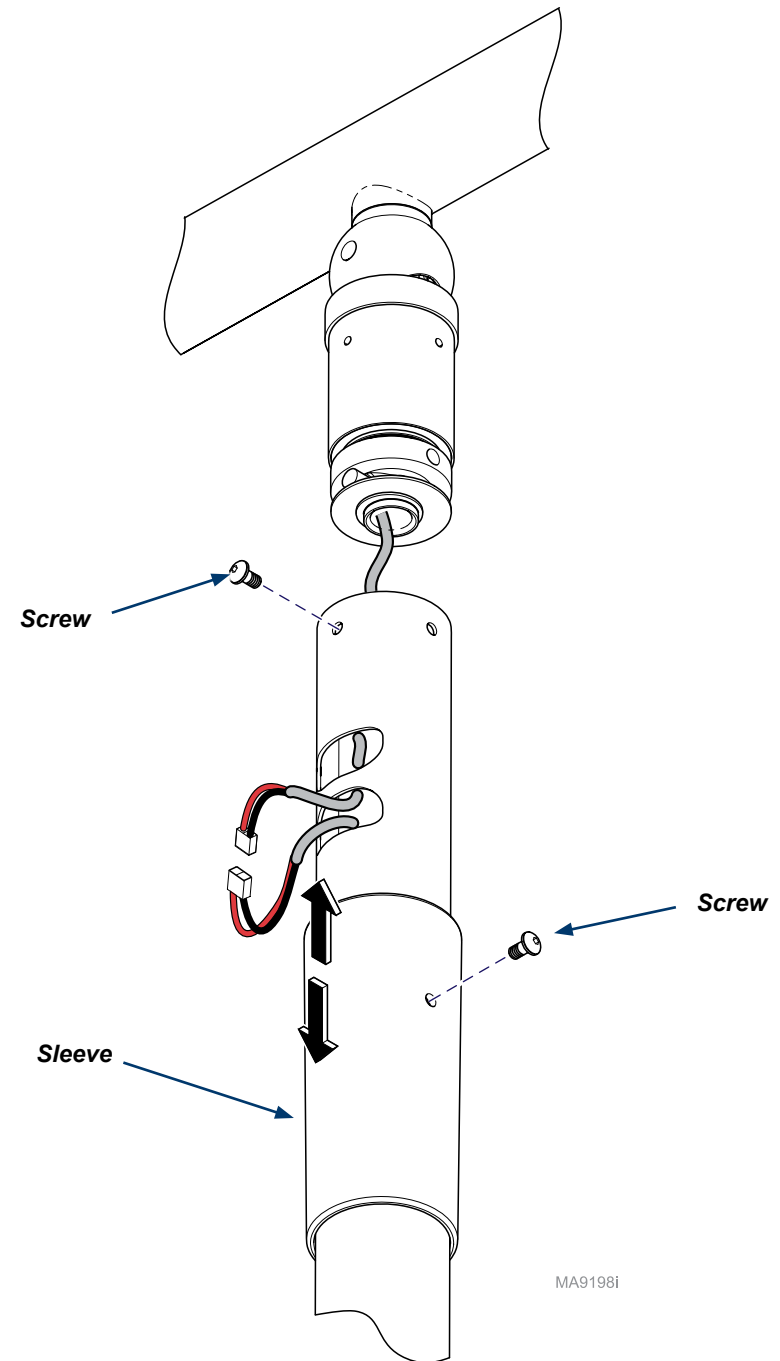


Equipment Alert

Align three screw holes on the vertical tube with holes in ball pivot housing of the counterbalance assembly before installing any screws. Failure to comply may result in damage to screws.

Step 4: Install counterbalance assembly.

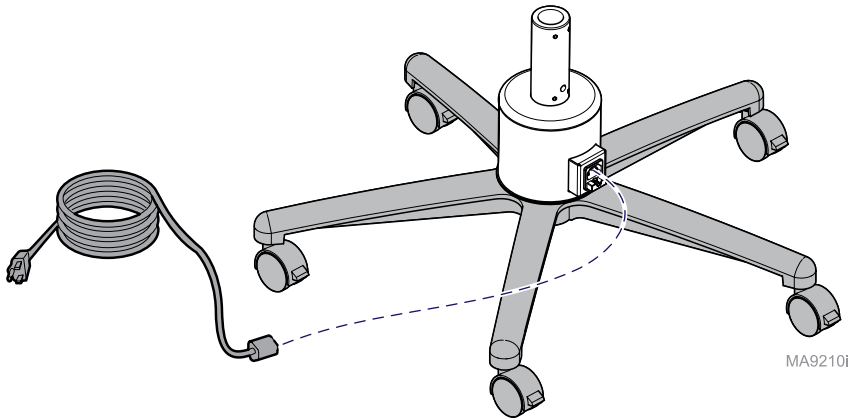
- A) Align three screw holes, then insert counterbalance into vertical tube.
- B) Install two screws into the holes at the top of the vertical tube.
- C) Pull two wires from counterbalance thru bottom access hole.
- D) Connect wires from counterbalance to corresponding wires from vertical tube, then push wires inside tube.
- E) Slide sleeve into position, then secure with screw.



MA9198i

Electrical Information

Step 5: Connect power cord.



Electrical Ratings:

115 VAC models 115 VAC, 50/60 Hz, 0.7 A, single phase

230 VAC models 230 VAC, 50/60 Hz, 0.5 A, single phase

Fuse Ratings:

115 VAC models 1.6A, 250 VAC, 5mm x 20mm, Type T, Slo-Blo, Time Lag, High Breaking Capacity (HBC)

230 VAC models 1.6A, 250 VAC, 5mm x 20mm, Type T, Slo-Blo, Time Lag, High Breaking Capacity (HBC)

Grounding reliability can only be achieved if this equipment is connected to an equivalent receptacle marked Hospital Grade (NEMA 5-15R, HOSPITAL GRADE)



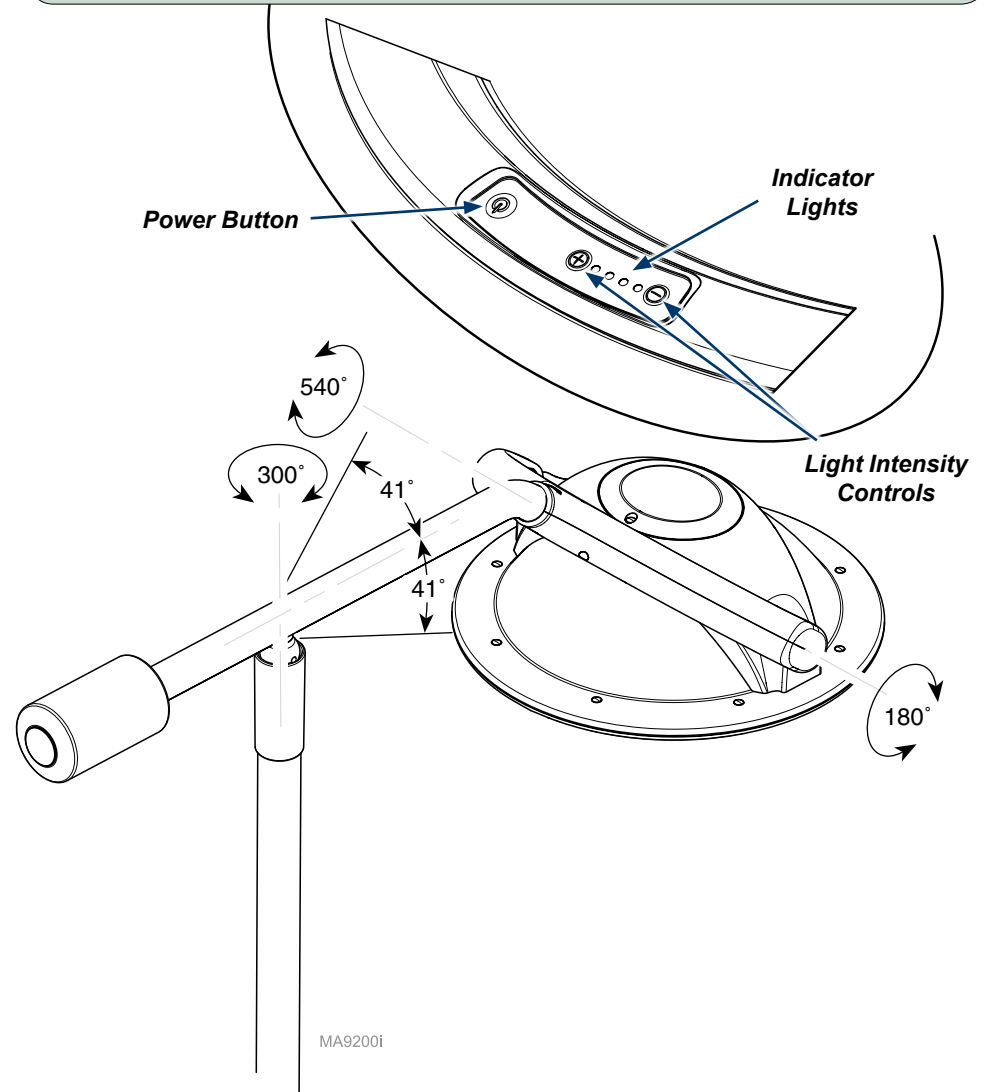
Equipment Alert

Light should move freely, and should not drift when released.
If drifting occurs, perform appropriate tension adjustment procedure.

Note: Light should illuminate. If light does not illuminate, check wire connections.

Step 6: Check for proper operation.

- Turn power button ON (⏻).
- Rotate the lighthead, lamp tube, and cross tube through range of motion. Release the lighthead at different positions.





Caution

- Carefully handle parts near membranes and wire harnesses.
- Allow the light to cool before removing.
- Carefully move the light away from the exam site to prevent contaminants from falling into the area.



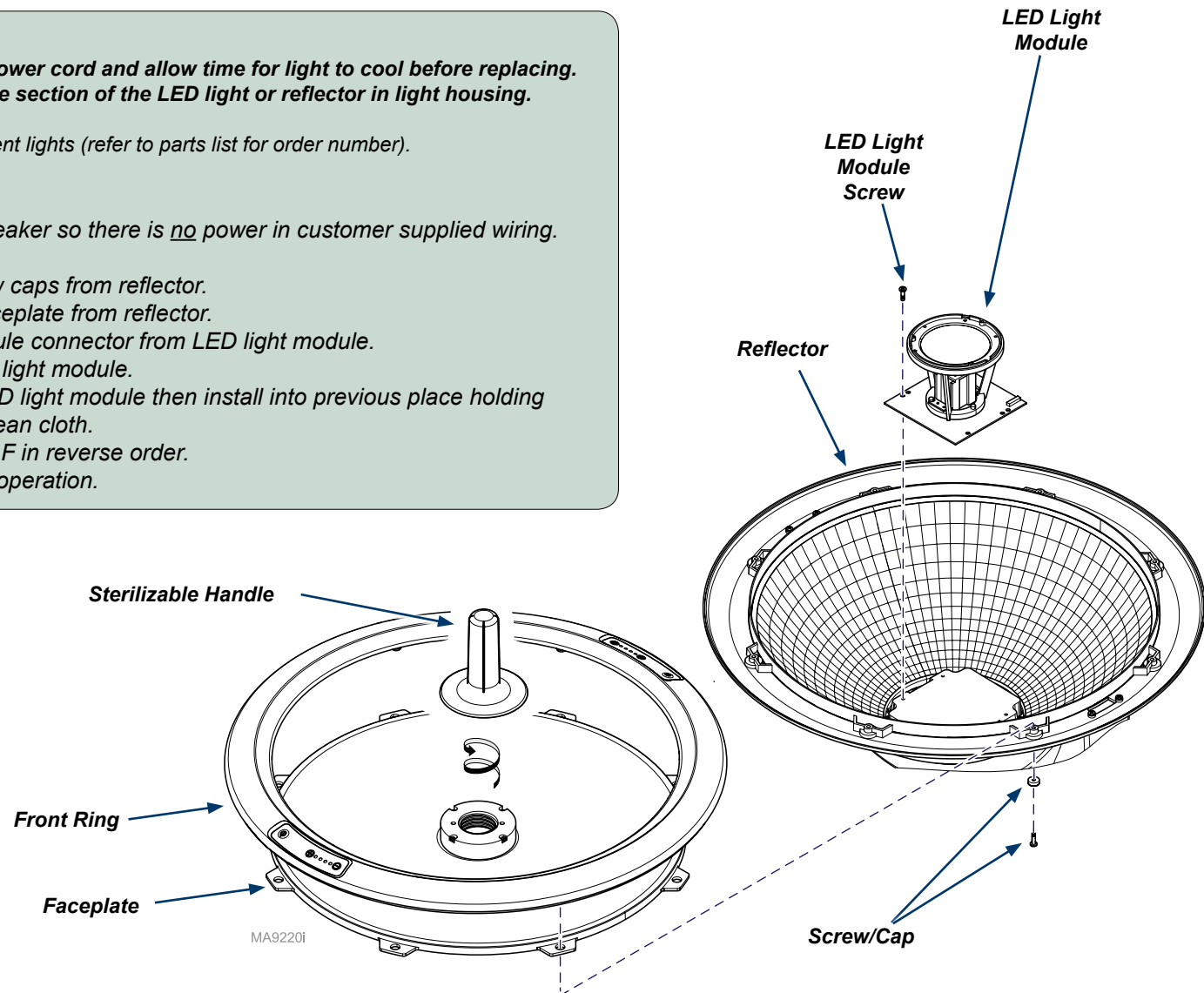
Warning

Always disconnect power cord and allow time for light to cool before replacing. Do not touch the cone section of the LED light or reflector in light housing.

Note: Use only factory replacement lights (refer to parts list for order number).

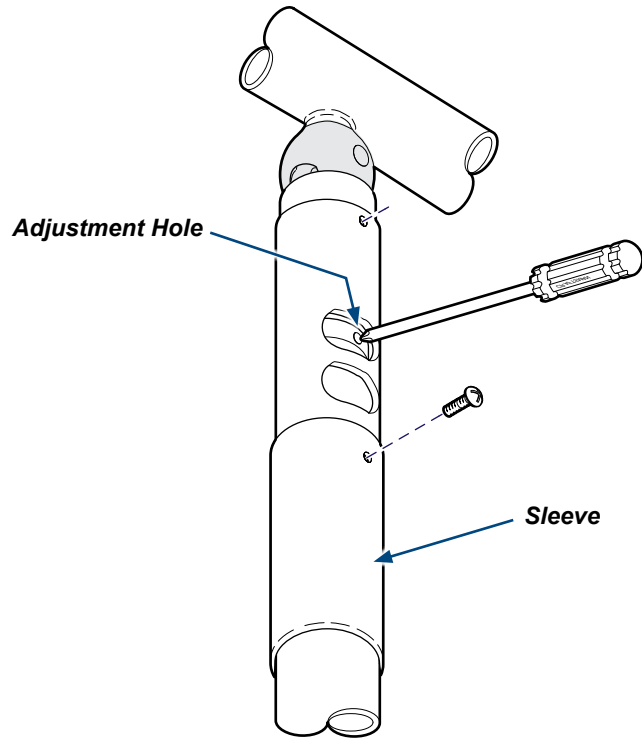
To install light...

- Turn OFF facility power breaker so there is no power in customer supplied wiring.
- Turn light switch OFF (⏻).
- Remove screws and screw caps from reflector.
- Separate front ring and faceplate from reflector.
- Disconnect LED light module connector from LED light module.
- Remove screws from LED light module.
- Peel film paper off new LED light module then install into previous place holding LED light module with a clean cloth.
- Complete steps B through F in reverse order.
- Connect power and verify operation.



To adjust ball pivot tension...

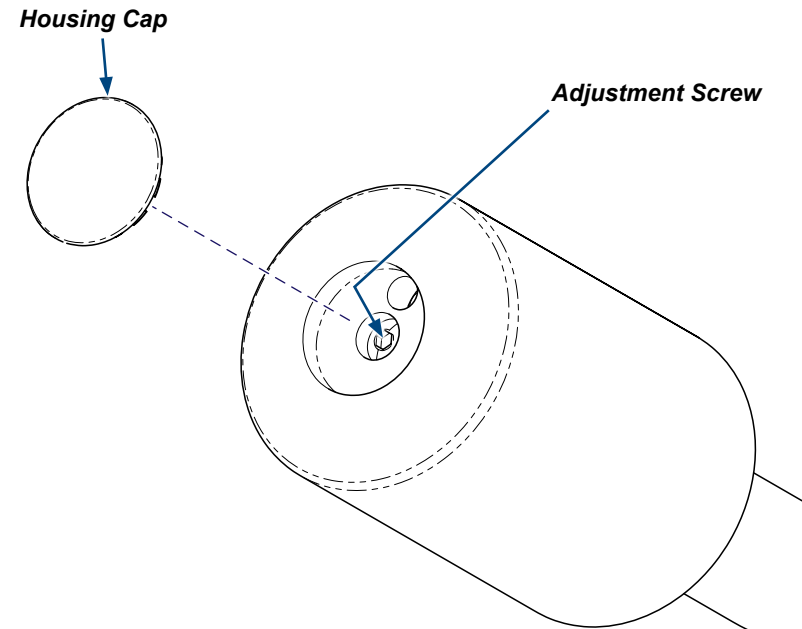
- A) Remove screw, then slide sleeve down.
- A) Insert screwdriver into adjustment hole.
- B) Move the screwdriver LEFT / RIGHT to adjust tension setting (LEFT: **decreases** tension / RIGHT: **increases** tension)
- C) Remove screwdriver, and check for desired tension.
Repeat until desired tension is achieved.
- D) Slide fixed arm sleeve up, then install screw.



Note: Turning the adjustment screw clockwise will lower the lighthouse.
Turning the adjustment screw counterclockwise will raise the lighthouse.

To adjust cross tube counterbalance...

- A) Release tension.
- B) Remove cap from counterbalance.
- C) Loosen / tighten the adjustment screw until the cross tube balances in horizontal position.
- D) Install cap onto counterbalance.
- E) Set tension.



MA8517i

