



255 Steel Frame Wall Mounted Light Installation

Applies to Models:
255 (-006, -026)

Special Tools:
Torque wrench

Language of origin: English

Note
A full-size, wall template (P/N 003-2433-00) is available upon request.

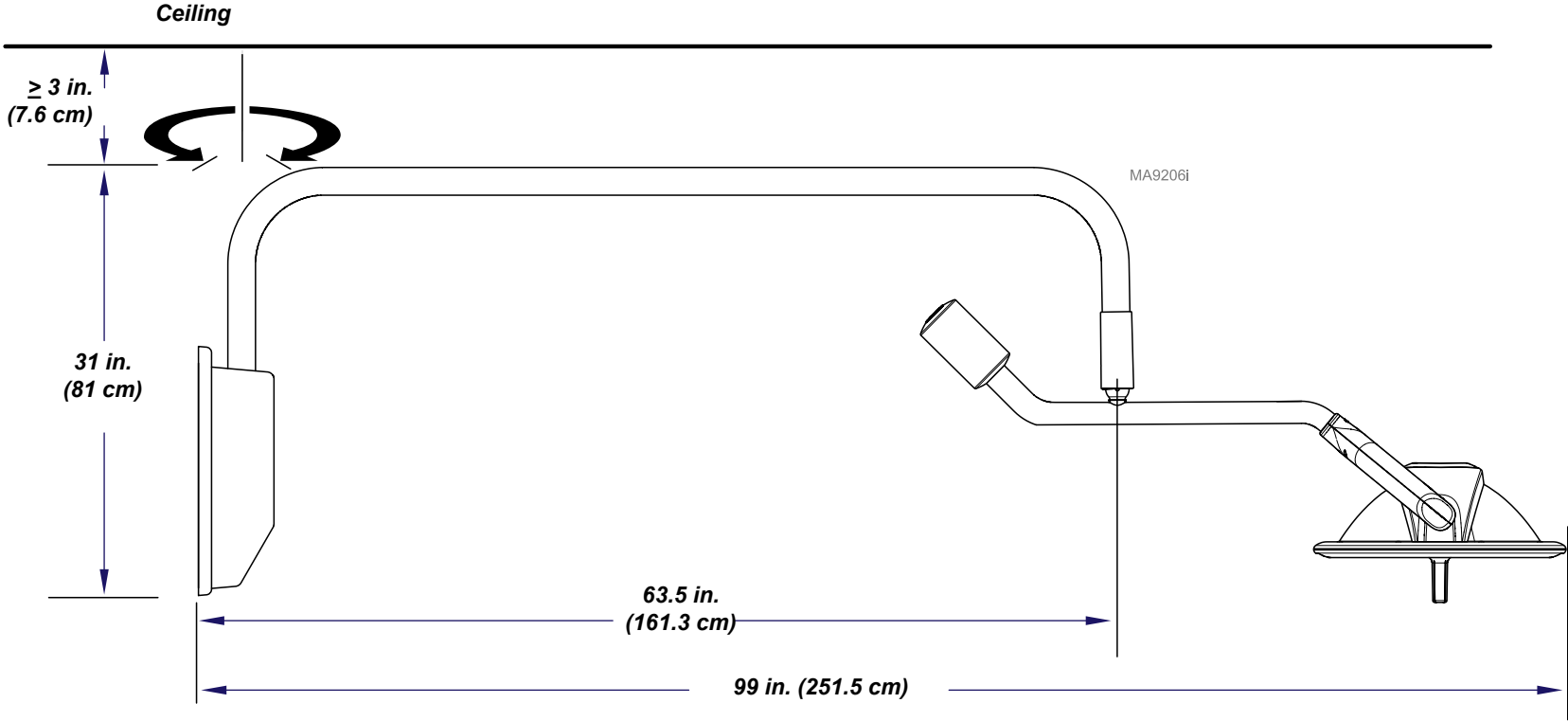
Step 1: Determine mounting location.
A) Use the weight / dimension information shown on this page to determine the mounting location.

Note: Power source **must** be within 12 ft. (3.6 m) of mounting location.

NOTE:
The wall structure must be capable of supporting the light system.

Weight (max.):.....85 lb (38.6 kg)
Torque (max.):.....265 ft-lb (359 Nm)

In addition to supporting the weights listed, the wall structure must be able to support the light without deflection. To prevent the suspension arm from drifting, the assembly must deflect no more than 1/16" (1.6 mm) over a 12" (30.5 cm) distance.



Note

A full-size, wall template (P/N 003-2433-00) is available upon request.

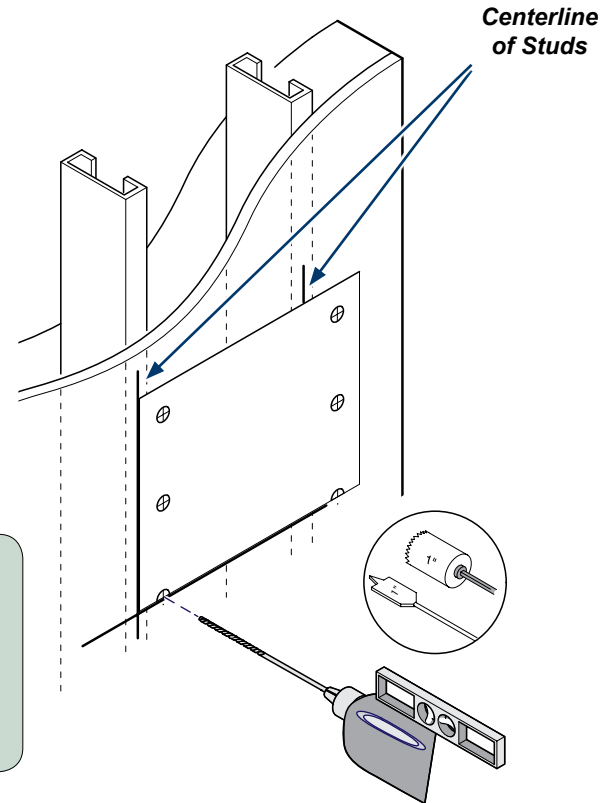
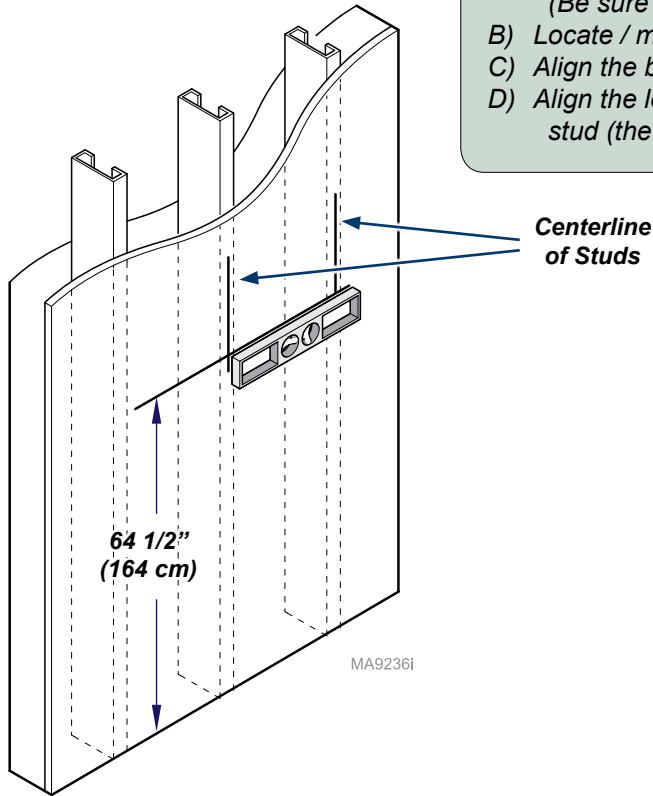


Attention!

Steps 2 & 3 must be performed from the side of the wall that the light will be mounted to.

Step 2: Position the template on the wall.

- A) Draw a **level** line on the wall at 64 1/2" (163.8 cm) from the floor.
(Be sure the line spans two wall studs)
- B) Locate / mark the center of the two wall studs.
- C) Align the bottom of the template with the line drawn in Step 2 (A).
- D) Align the left or right edge of the template with the centerline of the appropriate stud (the left edge / stud is shown in the illustration).



Step 3: Drill holes for mounting plate.

- A) Use a long drill bit to drill six pilot holes at the locations marked on the template. The holes **must** go through both sides of the wall. **Keep the drill level.** **Do not drill thru the studs!** If the template is aligned correctly, the hole location marks will be offset from the studs.
- B) Expand each pilot hole using a 1" drill bit, or a hole saw from **both** sides of the wall.

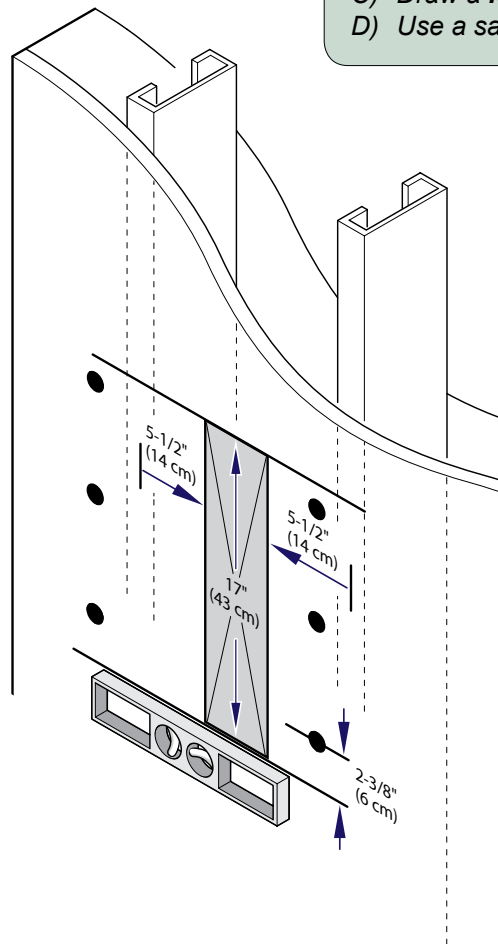


Attention!

Steps 4 & 5 must be performed from the **back of the wall** that the light will be mounted to. This step requires two wooden supports (4" x 4" x 16") not supplied.

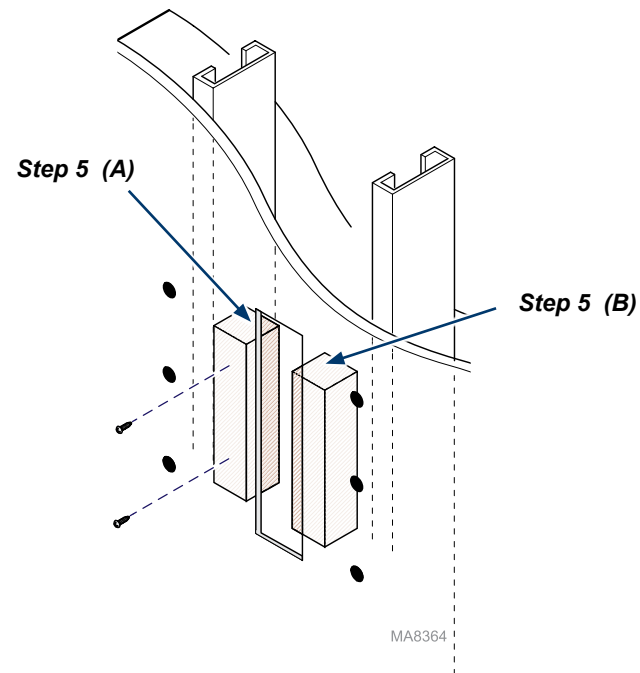
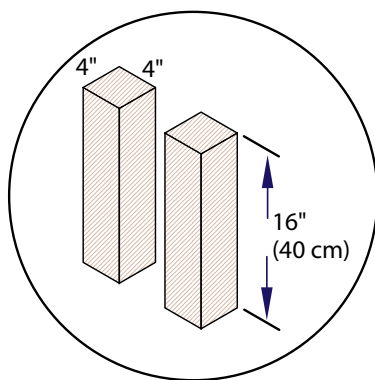
Step 4: Cut access hole for wall supports.

- A) Draw a **level** line on the wall 2-3/8" **below** the center of the bottom holes drilled in Step 3.
- B) Locate / mark the center of the two wall studs.
- C) Draw a **level** line on the wall 5-1/2" from the centerline of each stud as shown.
- D) Use a saw to cut out the 5" x 17" section of wallboard marked in Step 4 (A / B / C).



Step 5: Install two wall supports.

- A) On the side where the stud is between the access hole and the 1" holes:
Position the wood support against the stud.
Secure with two screws (not supplied).
- B) On the side where the 1" holes are between the access hole and the stud:
Position the wood support so that it does **not** obstruct the 1" holes.
Secure with two screws (not supplied).



MA8364

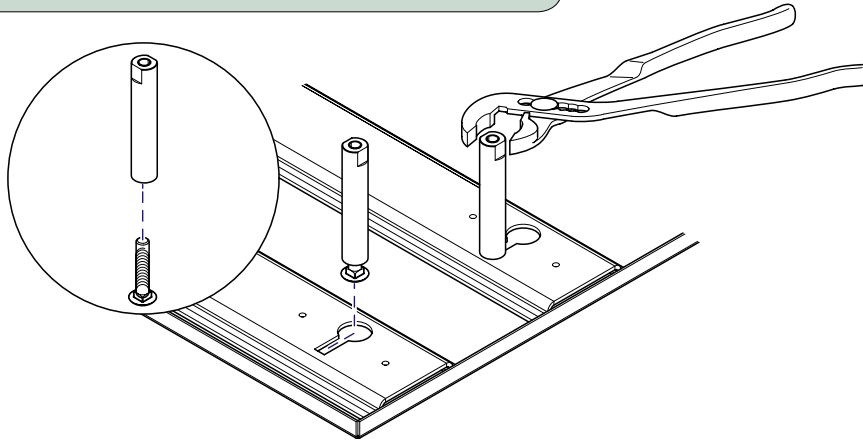


Attention!

Steps 6 & 7 must be performed from the **back** of the wall that the light will be mounted to.

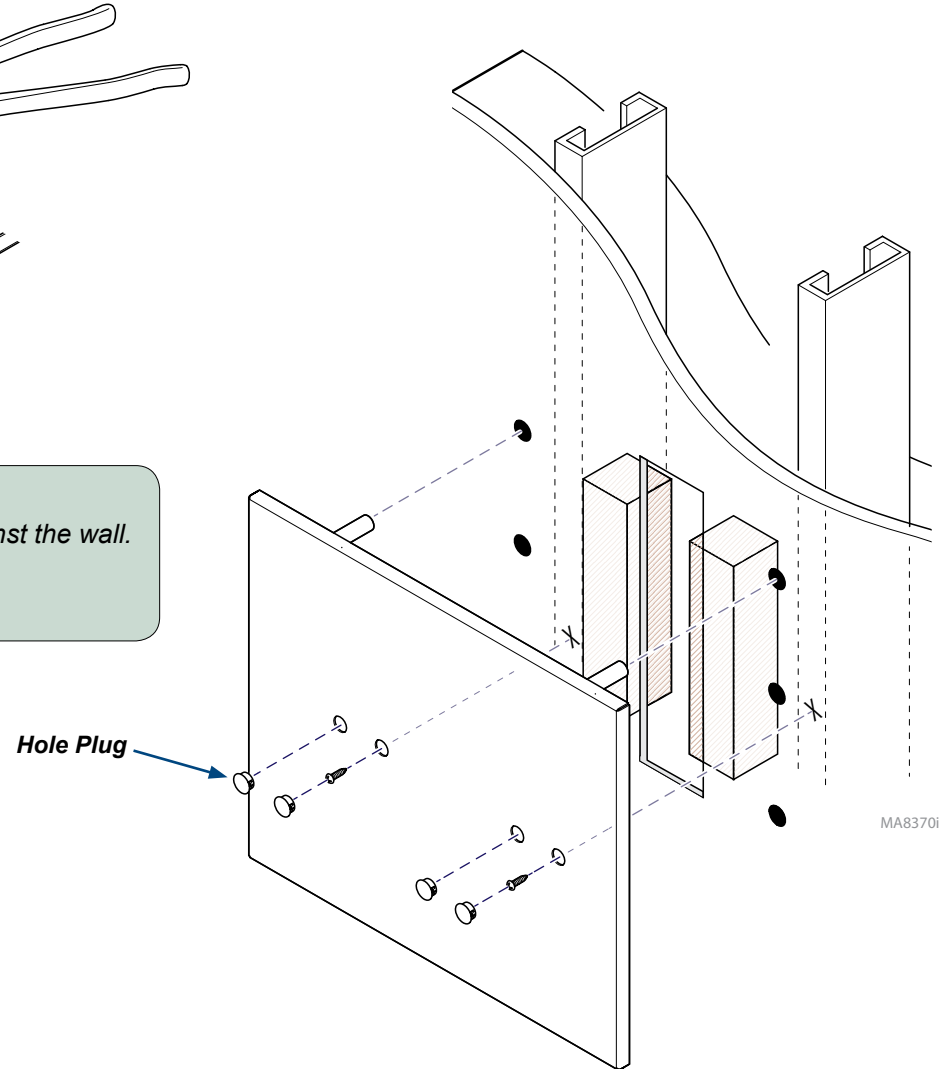
Step 6: Install standoffs onto backer plate.

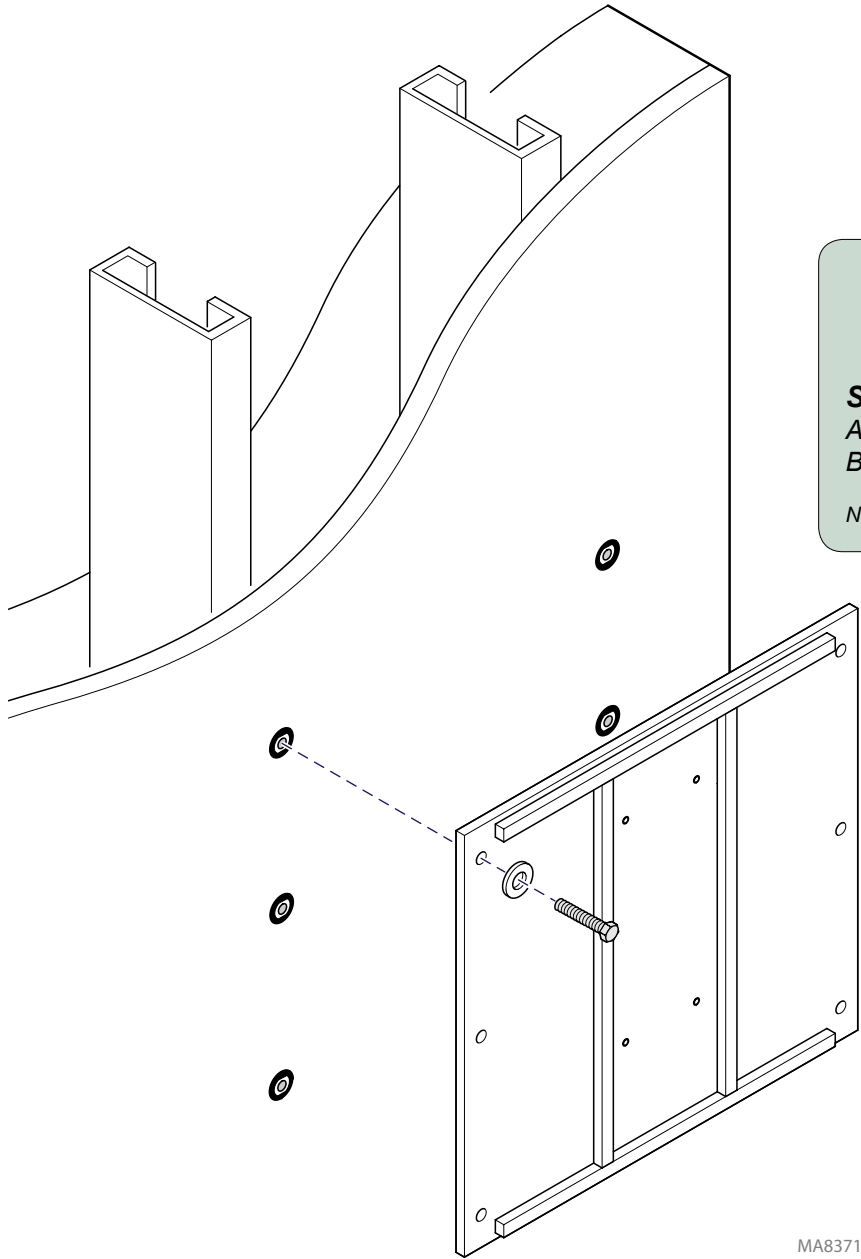
- A) Thread six carriage bolts into six standoffs.
- B) Insert bolt / standoff into keyed hole in backer plate.
- C) Use pliers to tighten bolt / standoff.
- D) Repeat for remaining bolts / standoffs.



Step 7: Install backer plate.

- A) Align standoffs with 1" holes, then push backer plate in until it is against the wall.
- B) Secure plate to steel studs with two screws.
- C) Install four hole plugs.





Attention!

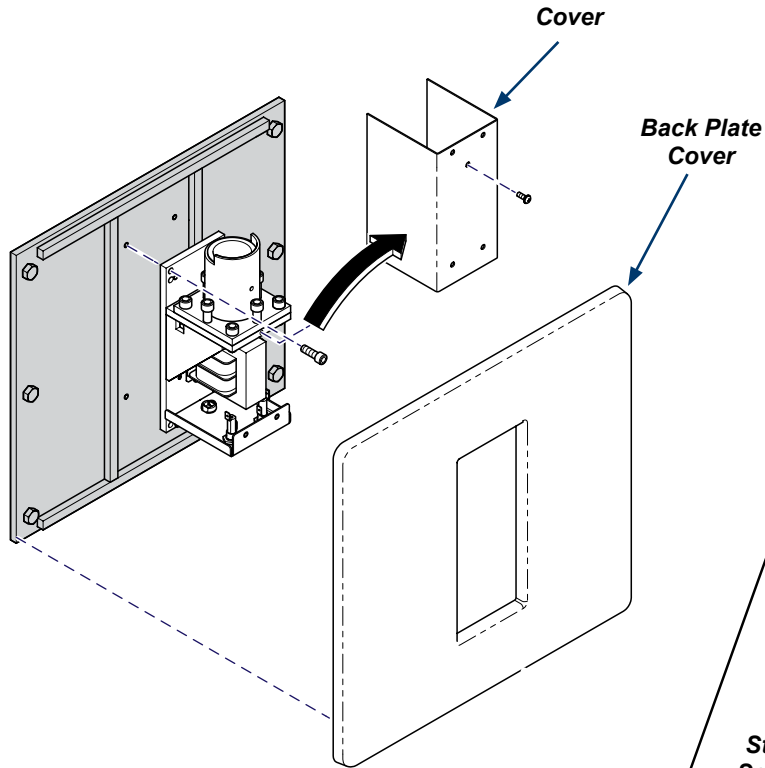
Step 8 must be performed from the side of the wall **that the light will be mounted to.**

Step 8: Install mounting plate.

- A) Align mounting plate with 1" holes.
- B) Secure mounting plate to wall with six bolts \ washers.

Note: The bolts **must** thread into the standoffs from the backer plate.

MA8371i

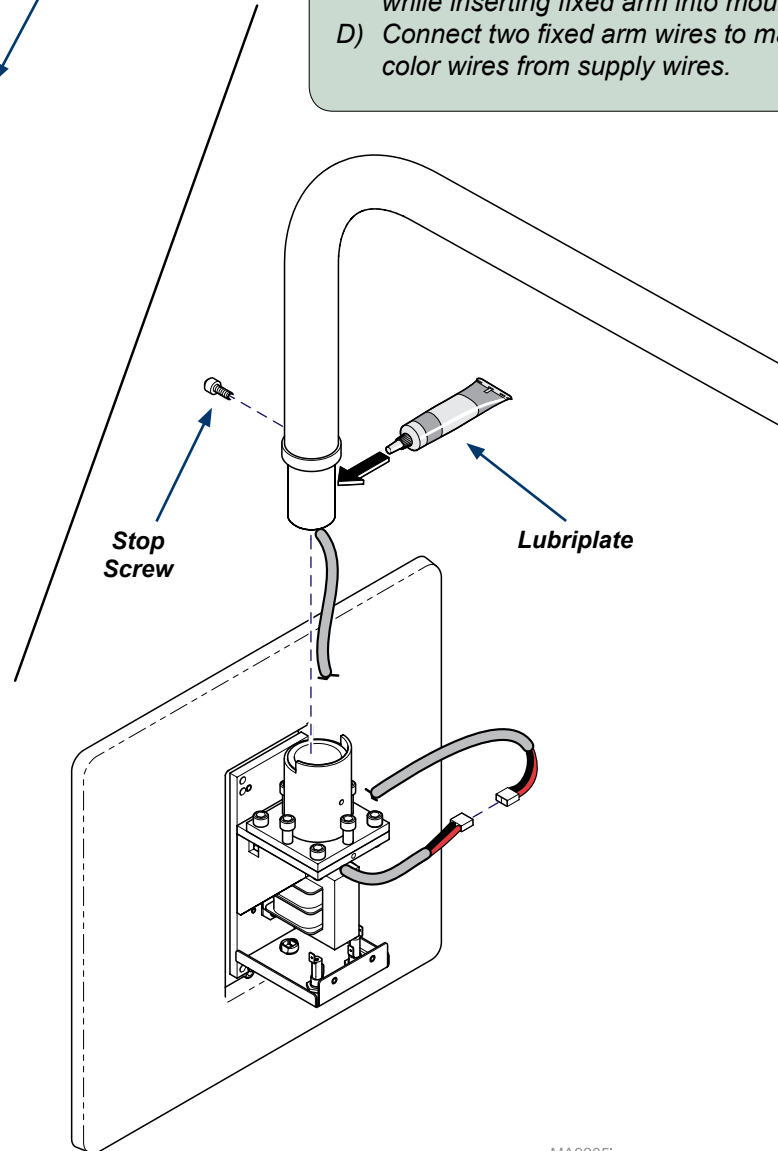


Step 9: Install mounting bracket.

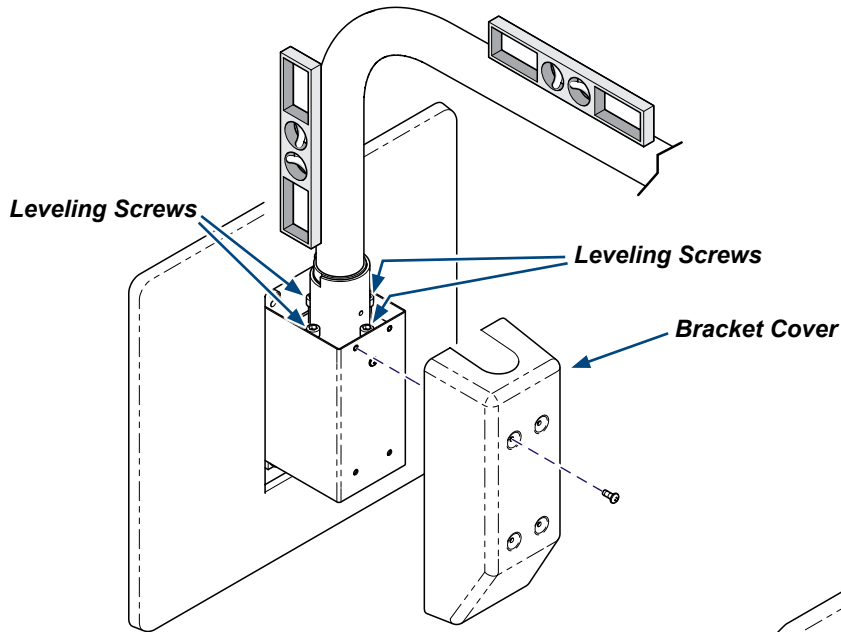
- A) Remove cover.
- B) Align mounting bracket with holes in backer plate, then secure with four bolts.
- C) Install backer plate cover.

Step 10: Install fixed arm.

- A) Install stop screw into fixed arm.
- B) Apply Lubriplate (supplied) to fixed arm as shown.
- C) Carefully route the wires down through bearing while inserting fixed arm into mounting bracket.
- D) Connect two fixed arm wires to matching color wires from supply wires.



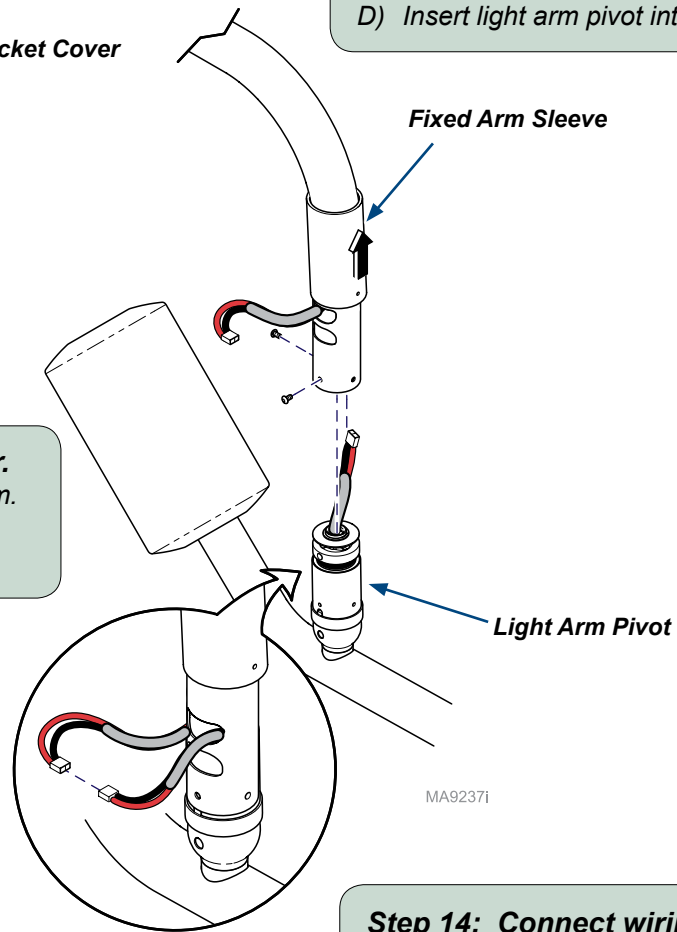
MA9205i



Step 11: Install cover.

Step 12: Install light arm.

- A) Slide fixed arm sleeve onto fixed arm as shown.
- B) Pull fixed arm wire harness out through top access hole.
- C) Carefully feed light arm wire harness up into fixed arm.
- D) Insert light arm pivot into fixed arm, then secure with two screws.



Step 13: Level fixed arm / install bracket cover.

- A) Check the vertical & horizontal level of the fixed arm.
- B) Adjust four leveling screws as necessary.
- C) Secure bracket cover with four screws.

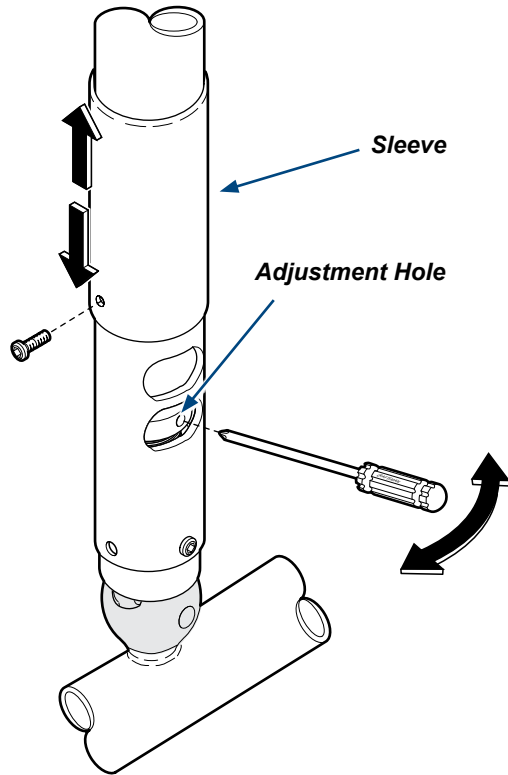
Step 14: Connect wiring.

- A) Pull wire harness out through access hole.
- B) Connect fixed arm wire harness to light arm wire harness.
- C) Tuck wire harnesses back into access hole.

MA9237I

Step 15: Release ball pivot tension.

- A) Remove screw, then slide sleeve up to expose opening.
- B) Insert screwdriver into adjustment hole.
- C) Move the screwdriver LEFT until tension is fully released.



To adjust ball pivot tension...

- A) Insert screwdriver into adjustment hole.
- B) Move the screwdriver LEFT / RIGHT to adjust tension setting (LEFT: **decreases** tension / RIGHT: **increases** tension)
- C) Remove screwdriver, and check for desired tension. Repeat until desired tension is achieved.
- D) Slide sleeve down, then install screw.



Equipment Alert

Light should move freely, and should not drift when released.
If drifting occurs, perform appropriate tension adjustment procedure.

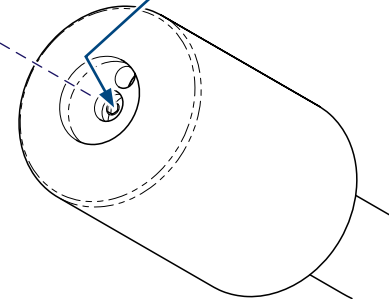
Step 16: Connect power.

- A) Connect power cord.
- B) Turn power button ON (⏻) and verify operation.

Note: Light should illuminate. If light does not illuminate, check wire connections.

Housing Cap

Adjustment Screw



To adjust cross tube counterbalance...

- A) Release tension.
- B) Remove cap from counterbalance.
- C) Loosen / tighten the adjustment screw until the cross tube balances in horizontal position.
- D) Install cap onto counterbalance.
- E) Set tension.

Note: Turning the adjustment screw clockwise will lower the lighthouse.
Turning the adjustment screw counterclockwise will raise the lighthouse.



Because we care.

**Caution**

- Carefully handle parts near membranes and wire harnesses.
- Allow the light to cool before removing.
- Carefully move the light away from the exam site to prevent contaminants from falling into the area.

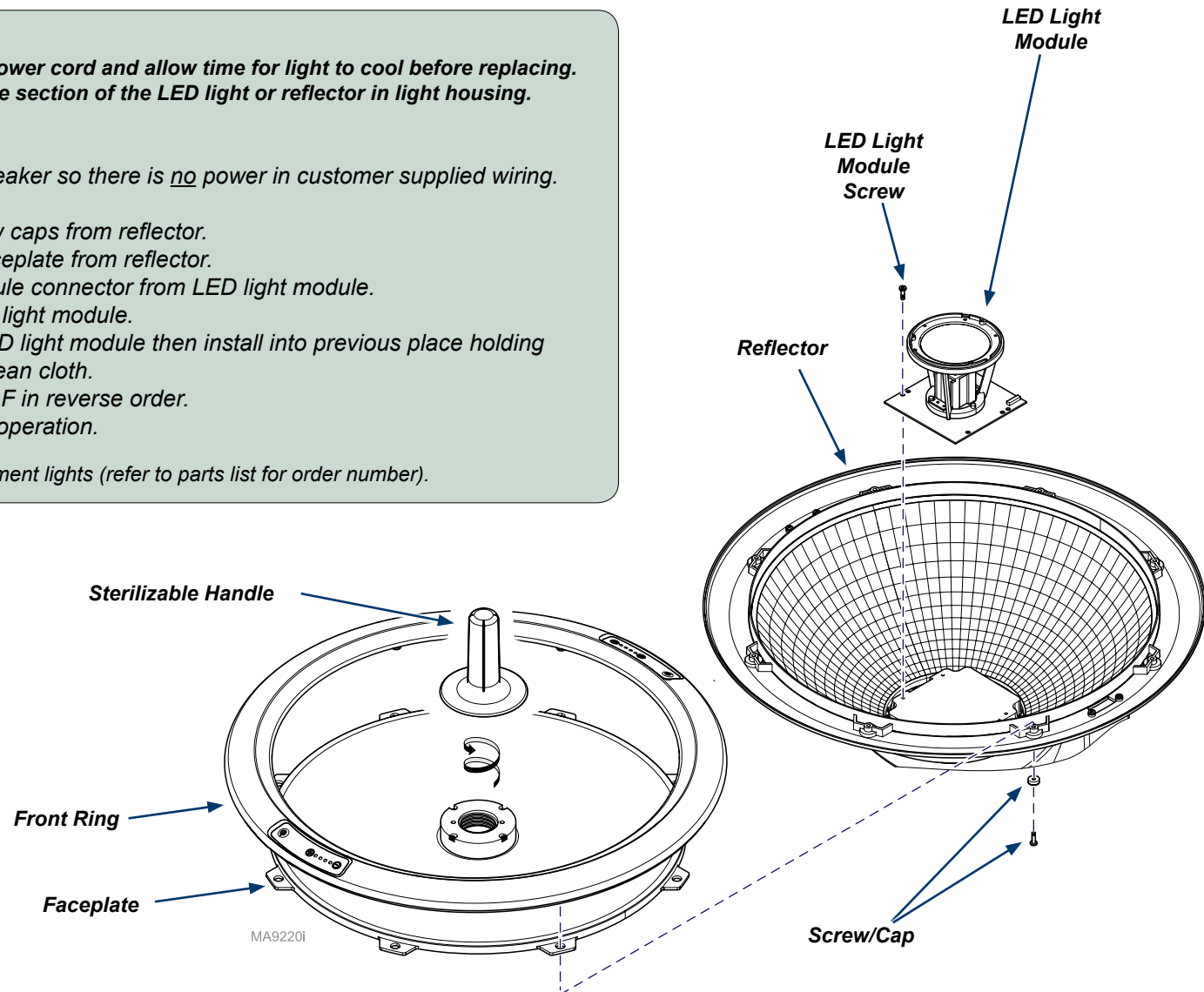
**Warning**

Always disconnect power cord and allow time for light to cool before replacing.
Do not touch the cone section of the LED light or reflector in light housing.

To install light...

- Turn OFF facility power breaker so there is no power in customer supplied wiring.
- Turn light switch OFF (⏻).
- Remove screws and screw caps from reflector.
- Separate front ring and faceplate from reflector.
- Disconnect LED light module connector from LED light module.
- Remove screws from LED light module.
- Peel film paper off new LED light module then install into previous place holding LED light module with a clean cloth.
- Complete steps B through F in reverse order.
- Connect power and verify operation.

* NOTE: Use only factory replacement lights (refer to parts list for order number).

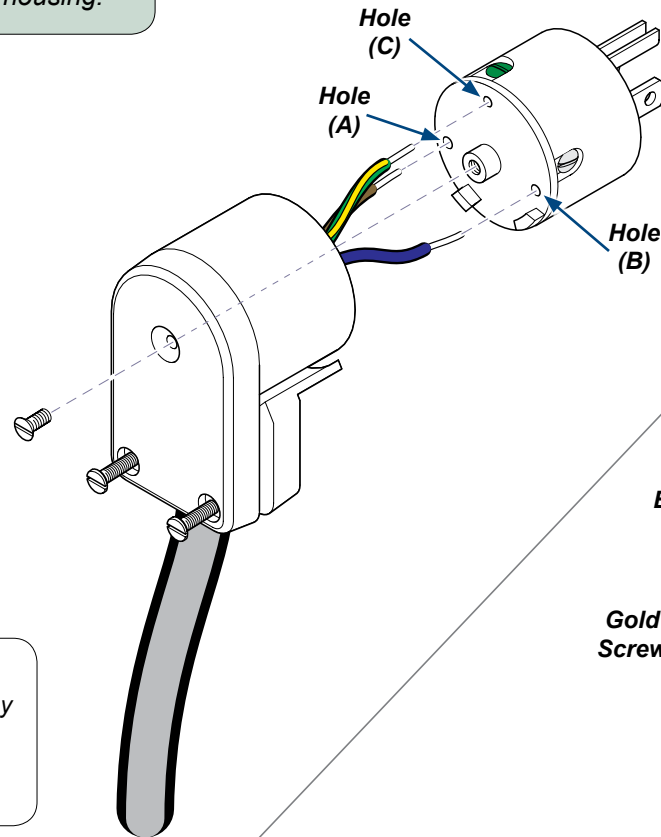


Because we care.

Installing Plug to Power Cord

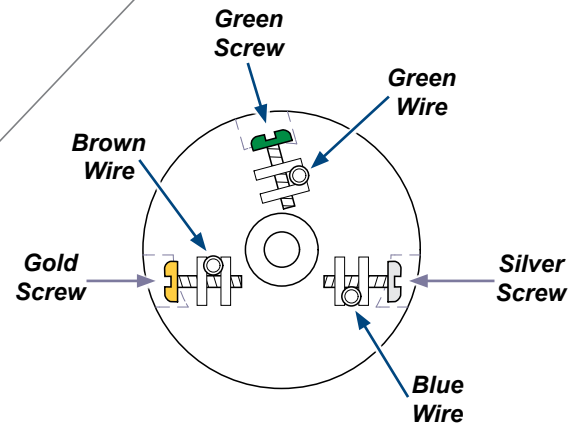
Step 1:

- Remove screw as shown & three pronged portion of plug.
- Loosen two screws as shown & insert power cord into housing.



Step 2:

- Insert BROWN wire from power cord into hole (A) & tighten GOLD screw.
- Insert BLUE wire from power cord into hole (B) & tighten SILVER screw.
- Insert GREEN wire from power cord into hole (C) & tighten GREEN screw.



Note

The three pronged portion of plug may be installed in four different positions. Be sure two tabs on pronged portion align with notches in housing.

Step 3:

- Rotate three pronged portion of plug to desired position in housing & secure with screw.
- Tighten two screws so that power cord is secured. Do not overtighten screws.

DA3416i

- Step 4:** Plug power cord into properly rated receptacle & check for proper operation.