




PCB w/Photo Interrupter Installation [002-1752-00 (115V) & 002-1752-01 (230V)]

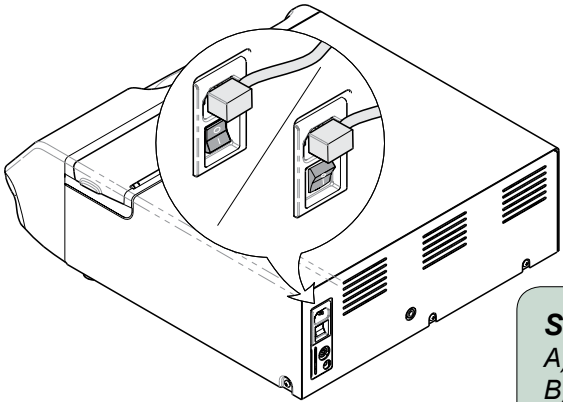
Components:

PC Board.....	1
Photo Interrupter....	1
Pressure Interlock Assembly.....	1

Special Tools:
none

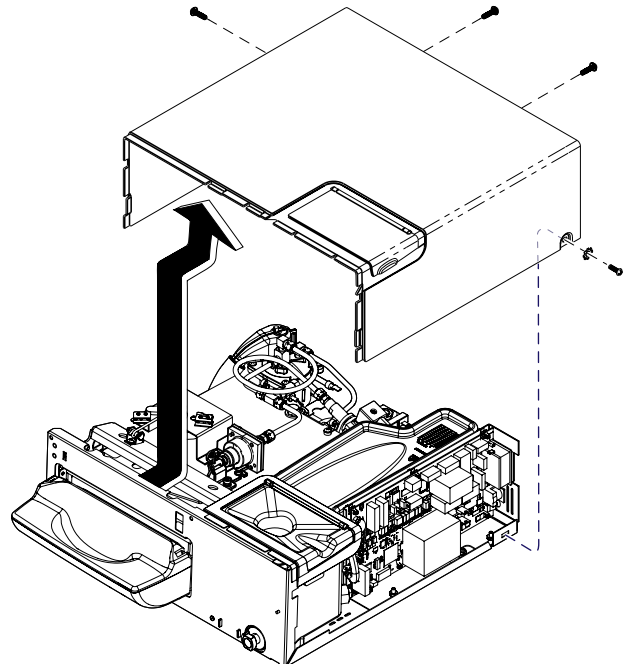
Note
This kit is required for M3 sterilizers having a Serial Numbers V811650 thru Vxxxxxx.

 **Caution**
Always disconnect power and allow sterilizer to cool before removing cover.



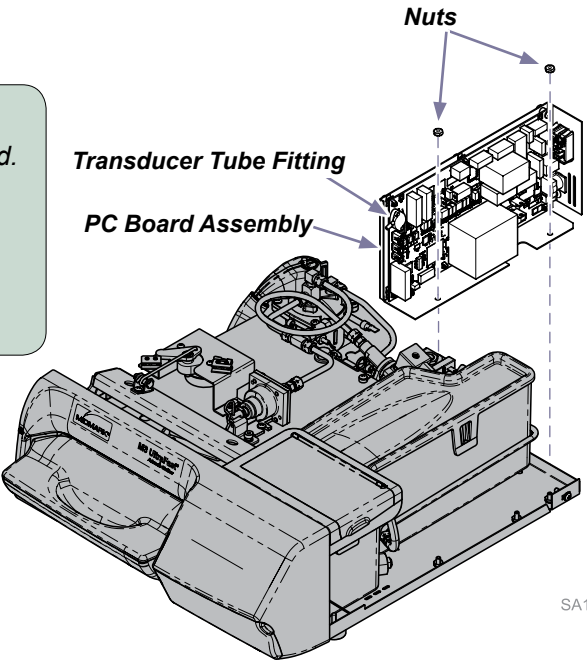
Step 1: Remove Cover.

- Disconnect power to the sterilizer.
- Remove screws.
- Slide cover back and up to remove.



Step 2: Remove PC Board assembly.

- Disconnect all wire connections from PC Board.
- Disconnect transducer tube.
- Remove two nuts.
- Lift PCB assembly straight up to remove.
- Repeat this step in reverse to install the new PC Board Assembly.



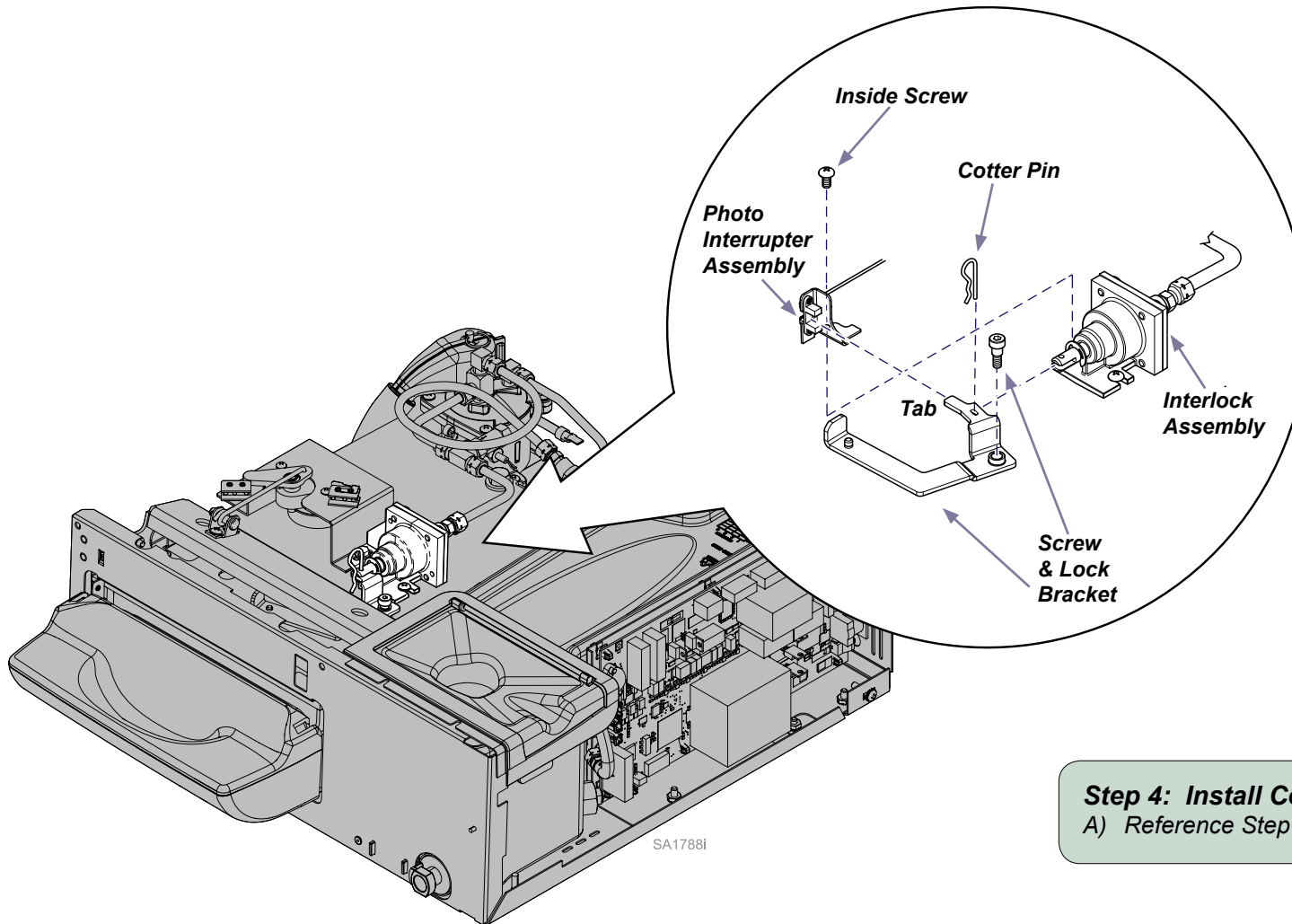
SA1785i

TP201 Rev. A

Step 3: Install Photo Interrupter.

- A) Remove cotter pin.
- B) Remove old lock bracket screw and bracket.
- C) Remove inside screw from interlock assembly.
- D) Install the inside screw through photo interrupter mounting bracket and interlock assembly.
- E) Install new lock bracket with tab centered into photo interrupter and aligned in groove on interlock assembly.
- F) Install cotter pin.
- F) Connect photo interrupter wires to J12 on the PC Board.

Pressure Interlock with Photo Interrupter



Step 4: Install Cover and Connect Power.

- A) Reference Step 1.

SA1788i