




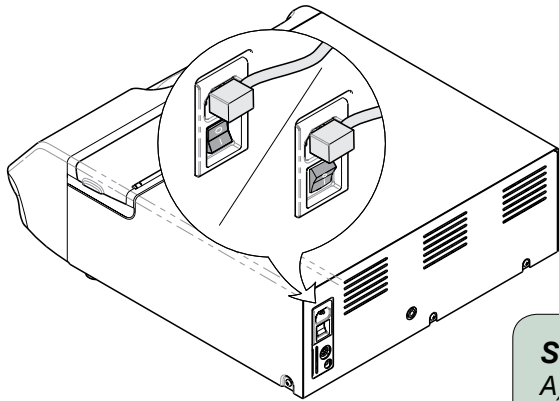
PCB w/Photo Interrupter & Pressure Lock Assembly Installation [002-1751-00 (115V) & 002-1751-01 (230V)]

Components:

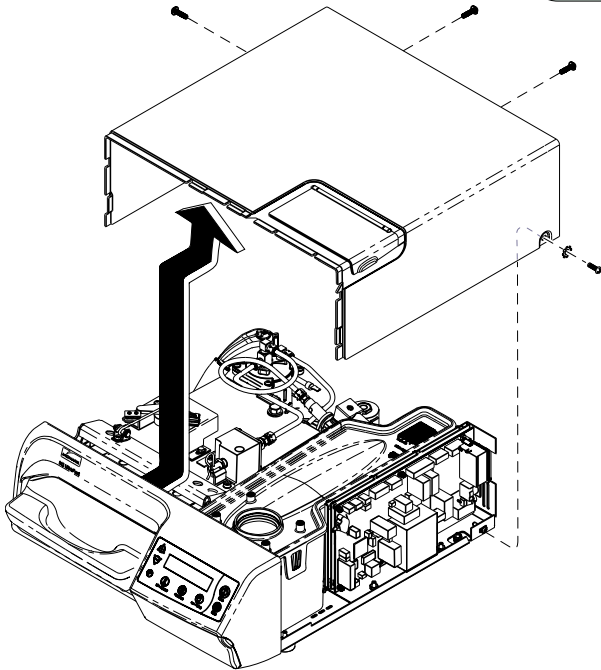
PC Board.....	1
Photo Interrupter.....	1
Pressure Interlock Assembly.....	1

Note
This kit is required for M3 sterilizers having a Serial Numbers prior to V811649.

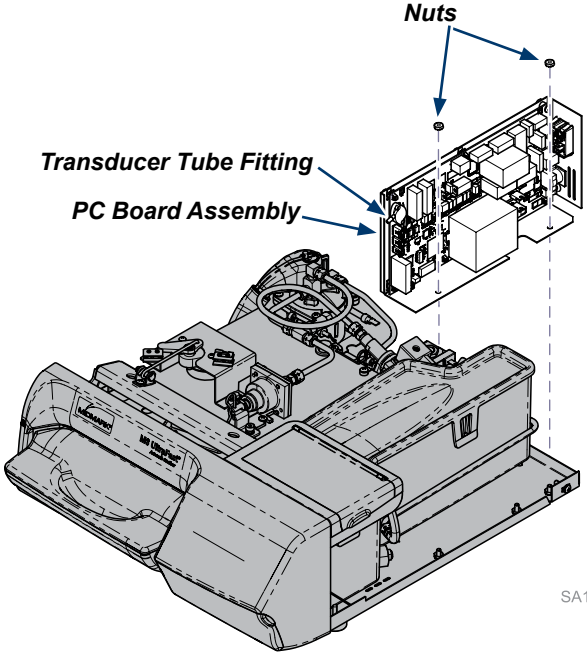
 **Caution**
Always disconnect power and allow sterilizer to cool before removing cover.



Step 1: Remove Cover.
A) Disconnect power to the sterilizer.
B) Remove screws.
C) Slide cover back and up to remove.



Step 2: Remove PC Board assembly.
A) Disconnect all wire connections from PC Board.
B) Disconnect transducer tube.
C) Remove two nuts.
D) Lift PCB assembly straight up to remove.
E) Repeat this step in reverse to install the new PC Board Assembly.

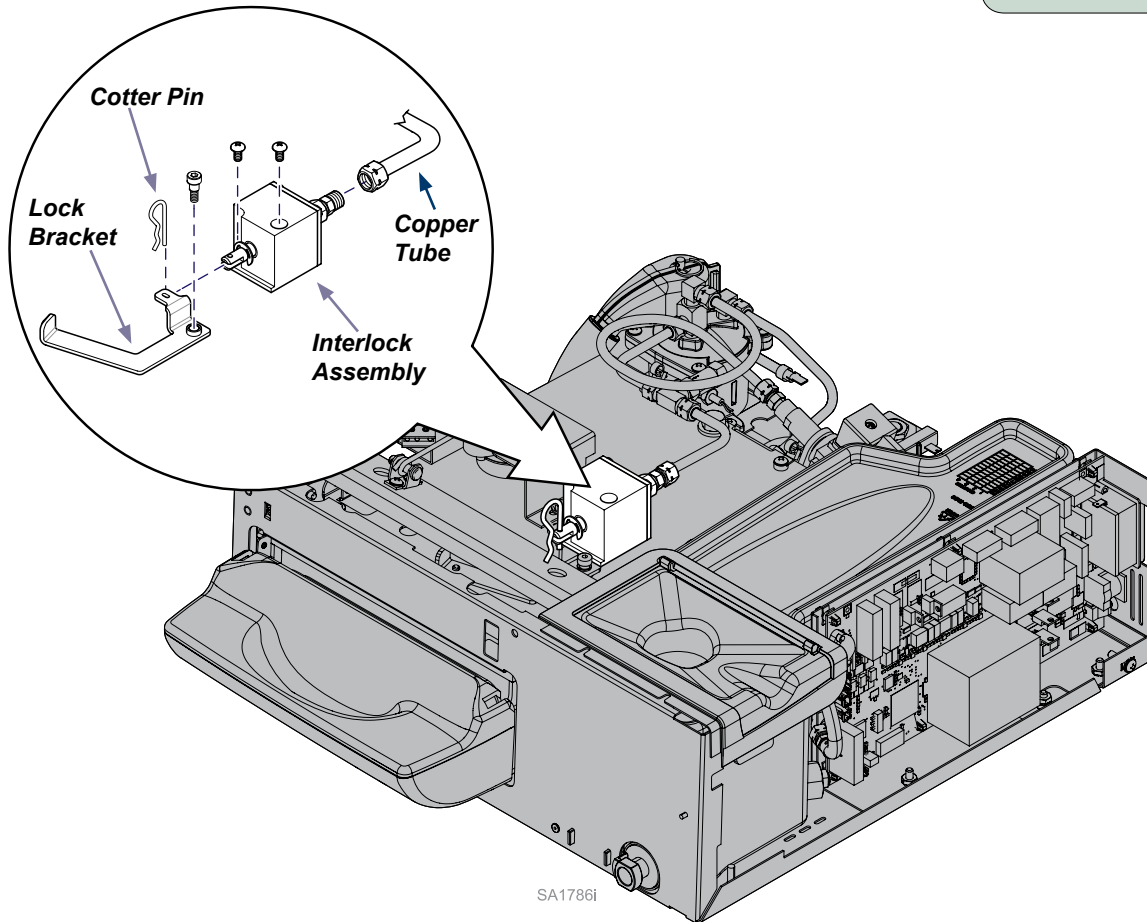


SA1789i

TP200 Rev. A

Step 3: Remove Pressure Interlock Assembly.

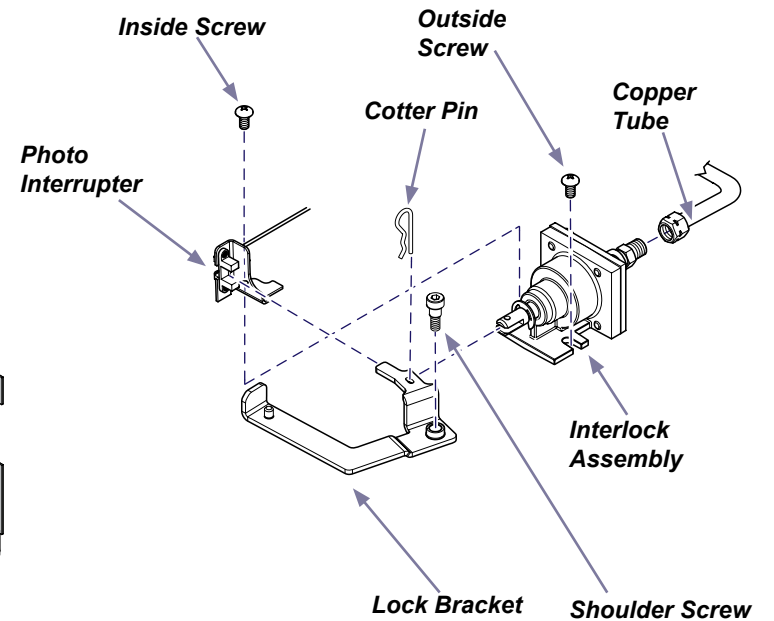
- A) Remove cotter pin.
- B) Remove lock bracket and screw.
- C) Disconnect copper tube.
- D) Remove interlock assembly mounting screws.
- E) Lift Interlock assembly straight up to remove.



Step 4: Install Pressure Interlock Assembly with Photo Interrupter.

- A) Install interlock assembly with outside screw.
- B) Install the inside screw through photo interrupter mounting bracket and interlock assembly.
- C) Mount new lock bracket with shoulder screw. Center lock bracket tab into photo interrupter and aligned in groove on interlock assembly.
- D) Install cotter pin.
- E) Connect copper tube to interlock assembly.
- F) Connect photo interrupter wires to J12 on the PC Board.

Pressure Interlock with Photo Interrupter



Step 5: Install Cover and Connect Power.

- A) Reference Step 1.