

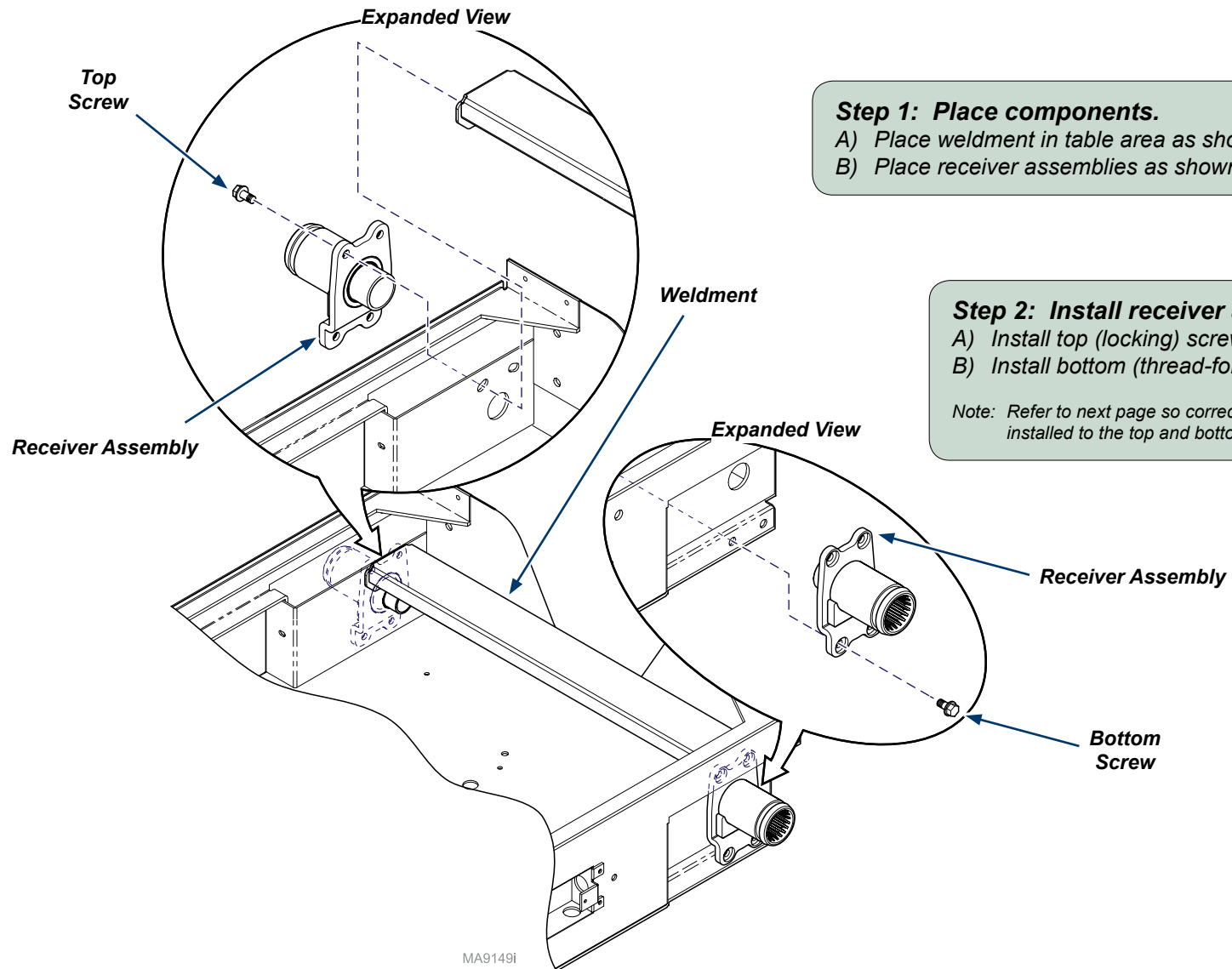


Socket Accessory Installation

Applies to: Patient Support Spline Receiver Assembly [9A585]

| | |
|----------------------|---|
| Components: | |
| Receiver Assy..... | 2 |
| Screws (Top) | 4 |
| Screws (Bottom)..... | 4 |
| Weldment | 1 |

| | |
|-----------------------|--|
| Special Tools: | |
| none | |



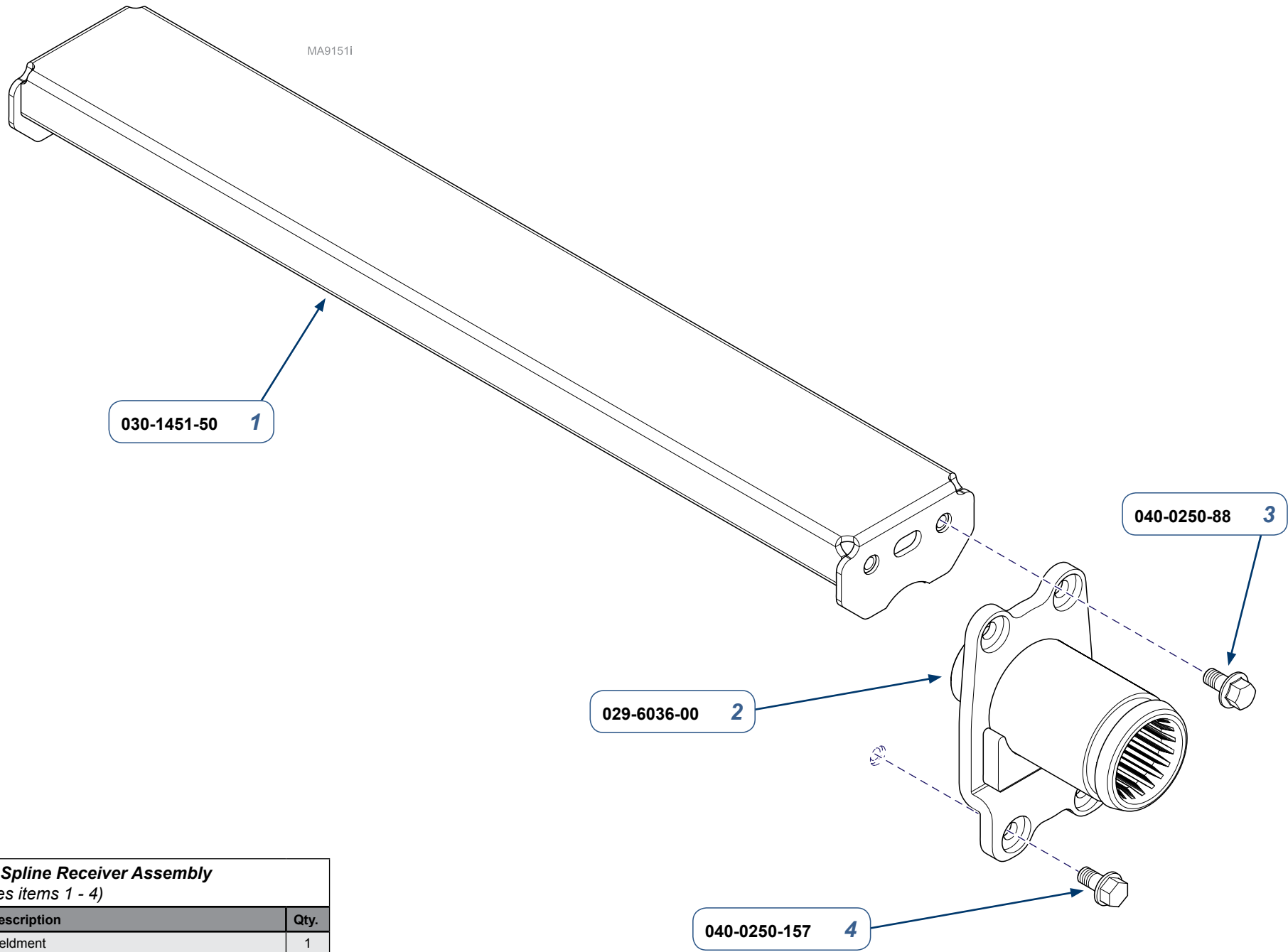
Step 1: Place components.
A) Place weldment in table area as shown.
B) Place receiver assemblies as shown.

Step 2: Install receiver assemblies.
A) Install top (locking) screws.
B) Install bottom (thread-forming) screws.
Note: Refer to next page so correct screws are installed to the top and bottom of the receiver assembly.

MA9149I

TP200 Rev. A

MA9151i



9A585 Spline Receiver Assembly
(includes items 1 - 4)

| Item | Description | Qty. |
|------|--------------------------|------|
| 1 | Weldment | 1 |
| 2 | Spline Receiver Assembly | 2 |
| 3 | Screw (Locking) | 4 |
| 4 | Screw (Thread-Forming) | 4 |

Serial Numbers / Dates: all

TP200 Rev. A