

# Wet or Dry Treatment Table User / Maintenance Instructions

Applies to Models:  
VT (all)

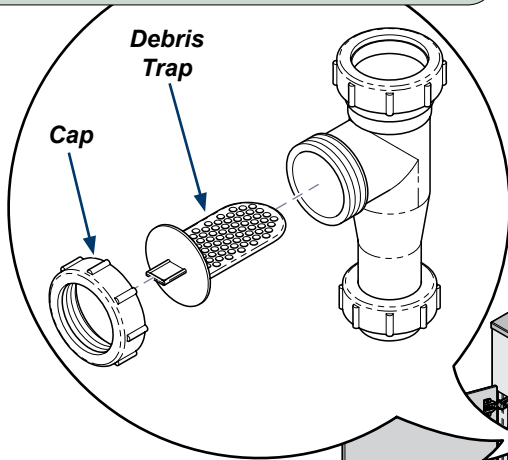
### Note

User information keep with Product.

### Cleaning Debris Trap...

- A) Unscrew cap from tap.
- B) Remove debris trap.
- C) Clean trap and reinstall

Note: Trap should be cleaned after each procedure and at least once a week if table used only for exams.



### Equipment Alert

Use nylon or plastic bristle scrubbers when needed. Using steel wool or a steel brush may cause steel particles to embed into the surface causing rusting. When using scrubbers always scrub with the grain of the steel.

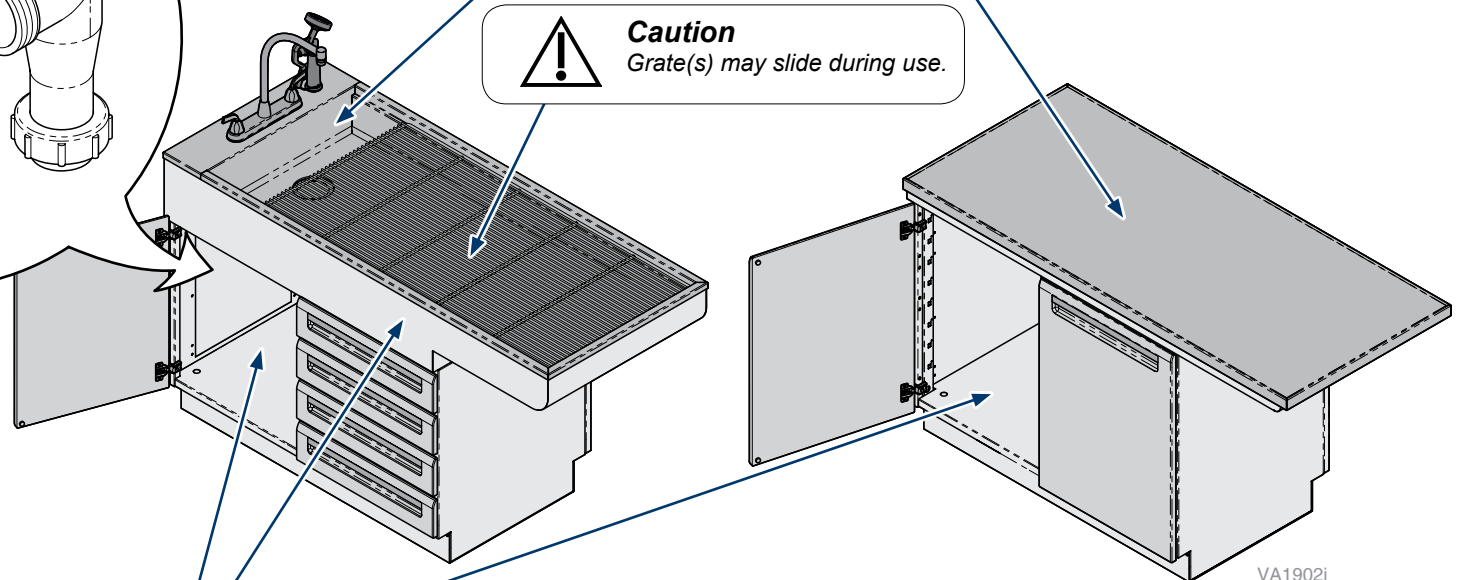
Stainless steel surfaces should be cleaned weekly or when films or deposits become apparent Use mild cleaning agent, rinse thoroughly and towel dry. Commercial cleaners need to be approved for use on stainless steel surfaces.

Avoid prolonged surface exposure to chlorides, bromides, iodides and thiocyanates. Salty solutions allowed to evaporate on stainless steel surfaces may cause pitting, corrosion or metal discoloration.



### Caution

Grate(s) may slide during use.



### Cleaning Painted Surface...

- A) Clean the table weekly, wiping the painted and plastic surface with a clean soft cloth and mild soap.

VA1902i

# Warranty

## SCOPE OF WARRANTY

Midmark Corporation (“Midmark”) warrants to the original retail purchaser that it will repair or replace components of the animal health products manufactured by Midmark (except for products and components not warranted under “Exclusions”) that are defective in material or workmanship under normal use and service. The sole remedy under this limited warranty is the repair or replacement, at Midmark’s option, of the applicable products or components. This limited warranty shall only apply to defects that: (i) are reported to Midmark within the applicable warranty period; and (ii) are determined to exist upon examination by Midmark. This limited warranty extends only to the original retail purchaser of a product, and is not transferable or assignable.

## APPLICABLE WARRANTY PERIOD

Veterinary Fixed Height Tables are warranted against defect in material and workmanship for the period indicated below from the time of delivery:

- (a) One (1) years for all products and components (except for the shorter periods in (b)), including plastic surfaces, door and drawer fronts, and casters. Cosmetic defects occurring after time of delivery are not covered.
- (b) One (1) year for laminate, solid surface countertops and accessories.

## OBTAINING WARRANTY SERVICE

Warranty service must be obtained through either Midmark or an authorized dealer in the Midmark product line for which warranty service is requested. Midmark may be contacted for warranty service inquiries or issues via email at [www.midmark.com](mailto:www.midmark.com), by mail to Midmark Corporation, 60 Vista Drive, Versailles, Ohio 45380, or by phone at: 1-800-MIDMARK. It is the retail purchaser’s obligation to arrange for delivery of a product to Midmark or one of its authorized dealers for warranty service, which delivery shall be at retail purchaser’s expense. It is also the retail purchaser’s obligation to comply with the warranty service instructions provided either by Midmark or its authorized dealer. The retail purchaser must provide Midmark with completed warranty registration information within thirty (30) days after purchase in order to obtain the benefits of this limited warranty.

## EXCLUSIONS

This limited warranty does not cover and Midmark shall not be liable for the following:

- (1) defects, damage or other conditions caused, in whole or in part, by misuse, abuse, negligence, alteration, accident (including animal acts of any kind), freight damage, tampering or failure to seek and obtain repair or replacement in a timely manner;
- (2) matching of color, grain or texture except to commercially acceptable standards;
- (3) changes in color caused by natural or artificial light;
- (4) products which are not installed, used and properly cleaned and maintained as required in the installation and operation manuals for the applicable product (imaging product must be installed by a certified Midmark installer);
- (5) products considered to be of a consumable nature;
- (6) accessories or parts not manufactured by Midmark;
- (7) specially manufactured products;
- (8) charges by anyone (including Midmark’s authorized dealers) for adjustments, repairs, replacement parts, installation or other work performed upon or in connection with such products which are not expressly authorized in writing in advance by Midmark;

- (9) costs and expenses of routine maintenance and cleaning;
- (10) all sinks, faucets and plumbing accessories;
- (11) representations and warranties made by any person or entity other than Midmark; and
- (12) with respect to software that is a product or a component thereof, that the software will be error free, can be used without problems or interruptions, or will be free from vulnerability to intrusion or attack by viruses or other methods.

## EXCLUSIVE REMEDY; CONSEQUENTIAL DAMAGES DISCLAIMER

Midmark’s only obligation under this limited warranty is the repair or replacement of defective parts. Midmark shall not be liable for and hereby disclaims any direct, special, indirect, incidental, exemplary or consequential damages or delays including, but not limited to, damages for loss of profits or income, loss of use, downtime, cover, and employee or independent contractor wages, payments and benefits. This disclaimer shall survive any failure or asserted failure of the essential purpose of this limited warranty or its remedies specified herein.

## NO AUTHORIZATION

No person or firm is authorized to create or approve for Midmark any other obligation or liability in connection with Midmark products.

## WARRANTY DISCLAIMER

THIS LIMITED WARRANTY IS MIDMARK’S ONLY WARRANTY AND IS IN LIEU OF ALL OTHER WARRANTIES, EXPRESS OR IMPLIED. MIDMARK MAKES NO IMPLIED WARRANTIES OF ANY KIND INCLUDING ANY IMPLIED WARRANTIES OF MERCHANTABILITY OR FITNESS FOR A PARTICULAR PURPOSE.

## STATUTE OF LIMITATIONS

No action may be brought against Midmark for breach of this limited warranty, an implied warranty, if any, or for any other claim arising out of or relating to the products, more than ninety (90) days following expiration of the warranty period. In the event multiple warranty periods exist with respect to a product, the ninety (90) day period provided for herein shall begin to run from expiration of the warranty period for the component to which the claim relates.

## SEVERABILITY

In the event any provision of this limited warranty is determined to be invalid or otherwise unenforceable: (i) the provision shall be enforced in a manner that closest holds to its intent, while at the same time curing the invalidity or unenforceability, and (ii) the balance of this limited warranty, being severable, shall not be affected in the event the provision that is invalid or unenforceable cannot be enforced in any respect.



Because we care.